

# ANSI/BHMA GRADE 1 Hardware



**Architectural Trim**  
**Auxiliary Hardware**

# CONTENTS

---



- Page 01** Push and Pull Plates
- Page 02** Kick and Armor Plates
- Page 03** ADA Surface Pulls
- Page 04** Surface Pulls
- Page 06** Door Stops
- Page 07** Door Stop / Wall Bumpers
- Page 08** Door Stop, Floor Mount
- Page 09** Door Holders
- Page 10** Manual Flushbolt for Metal Doors
- Page 11** Manual Flushbolt for Wood Doors
- Page 12** Automatic Flushbolt for Metal Doors
- Page 13** Automatic Flushbolts for Wood Doors
- Page 14** Dust Proof Strike
- Page 15** Coordinator
- Page 16** Coordinator Accessories
- Page 17** Door Guards
- Page 18** Door Viewer
- Page 19** Commercial Roller Latches
- Page 20** Magnetic Door Holders
- Page 21** Cross References



Disclaimer: All information in this catalog has been deemed accurate as of the date of printing. We are continuously improving and expanding our line in an effort to offer our clients the finest quality products and services; therefore, Unison Hardware, Inc., reserves the right to alter this information or correct printing errors at any time.

©2022 Unison Hardware, Inc. All Rights Reserved. June 2022

# PUSH AND PULL PLATES



**PPN4016R**



**PPN4016**

## SPECIFICATIONS

<b>Overall</b>	6-3/4" Length
<b>CTC</b>	6"
<b>Thickness</b>	All plates are 16 gauge (.050) thick
<b>Material</b>	Stainless Steel
<b>Packing</b>	Plates individually wrapped with mounting screws Pull plates and handles have mounting screws for 1-3/4" thickness door; other screws are available on request

## FEATURES

INOX Push and Pull Plates are manufactured from Stainless Steel for beauty and longevity. Easily installed and easy to clean, and all plates are provided with Phillips sheet metal screws plated to match the plate finish.

## CODE COMPLIANCE



ANSI A156.6 - J301 Push Plate and J405 Pull Plates  
ANSI A117.1 and ADA for barrier-free accessibility  
C-UBC - California Amended Uniform Builders Code  
NFPA 80 - National Fire Protection Association  
NFPA-101 National Fire Protection Assoc. - Life Safety

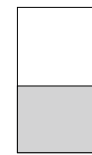
Description	Part Number	Standard Finish
Push Plate: 4" x 16" (ANSI: J301)	<b>PPN4016</b>	32D Satin Stainless Steel
Pull Plate: 4" x 16" (ANSI: J405)	<b>PPN4016R</b>	32D Satin Stainless Steel

*For additional finish options not listed, contact Sales Department for MOQ and lead times*

# KICK PLATES, MOP PLATES, ARMOR PLATES



**Kick**



**Armor**

**Armor Plate, Kick Plate**

## SPECIFICATIONS

<b>Thickness</b>	All plates are 16 gauge (.050) thick
<b>KPN35 Series</b>	
<b>Material</b>	304 Grade Stainless Steel
<b>Spec</b>	4 edge bevel with countersunk holes
<b>KPN Series</b>	
<b>Material</b>	400 Grade Stainless Steel (No Nickel)
<b>Spec</b>	No bevel or countersunk holes

Other sizes available upon request

## FEATURES

INOX Armor Plates add immeasurable protection and longer life to doors in commercial, multi-use, and healthcare facilities. Complies with codes and regulations for armor plates.

## CODE COMPLIANCE



ANSI 156.6 - J101, J102, J103 Metal  
 ANSI - J102 Metal  
 ANSI A117.1 and ADA for Barrier-Free Accessibility  
 C-UBC California Amended Uniform Builders Code  
 NFPA-80 National Fire Protection Association  
 NFPA-101 National Fire Protection-Life Safety

Description	Part Number	Standard Finish
Kick Plate 8" x 34"	<b>KPN0834</b>	32D Satin Stainless Steel
Kick Plate 10" x 34"	<b>KPN1034</b>	32D Satin Stainless Steel
Kick Plate 12" x 34"	<b>KPN1234</b>	32D Satin Stainless Steel
Beveled Kick Plate 8" x 34"	<b>KPN35-0834</b>	32D Satin Stainless Steel
Beveled Kick Plate 10" x 34"	<b>KPN35-1034</b>	32D Satin Stainless Steel
Beveled Kick Plate 12" x 34"	<b>KPN35-1234</b>	32D Satin Stainless Steel

*For additional finish options not listed, contact Sales Department for MOQ and lead times*

# ADA SURFACE PULLS



**PHIX330.512.8**



**PHIX31108**



**PHIX30108**



**PHIX41714**



**PHIX45714**

## FEATURES

INOX PHIX ADA Door Pulls are made from tough, beautiful Stainless Steel and offer a minimum 1-1/2" finger clearance under the grip portion.

All pulls are provided with universal adaptor and M6 set screws as well as clear nylon washer and rubber inserts shall for application with glass doors.

## CODE COMPLIANCE

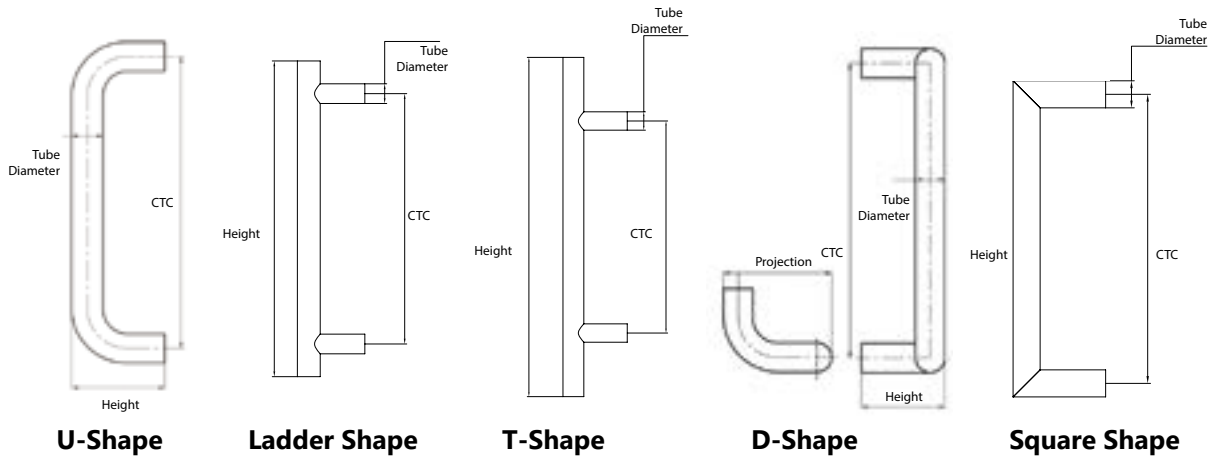


ANSI A156.6 – J401, J402, J406  
 ANSI A117.1 – ADA for barrier free accessibility  
 C-UBC - California Amended Uniform Builders Code  
 NFPA 80 - National Fire Protection Association  
 NFPA-101 National Fire Protection. - Life Safety

Length	CTC	Tube Dia.	Part Number	Standard Finish
8"	5"	7/8"	<b>PHIX330.512.8</b>	32D Satin Stainless Steel 32 Bright Stainless Steel 19G Graphite Black 26D Satin Chrome PVD4 Satin Brass
8-3/4"	8"	3/4"	<b>PHIX31108</b>	32D Satin Stainless Steel 32 Bright Stainless Steel 19G Graphite Black
8-3/4"	8"	3/4"	<b>PHIX30108</b>	32D Satin Stainless Steel 32 Bright Stainless Steel 19G Graphite Black
8-3/4"	7-1/4"	7/8"	<b>PHIX41714</b>	32D Satin Stainless Steel 32 Bright Stainless Steel 19G Graphite Black
7-3/4"	7-1/4"	7/8"	<b>PHIX45714</b>	32D Satin Stainless Steel 32 Bright Stainless Steel 19G Graphite Black

*For additional finish options not listed, contact Sales Department for MOQ and lead times*

# SURFACE PULLS



## FEATURES

INOXPHIX Door Pulls are crafted with classic, timeless style ideal for biophilic, ADA, and streamlined interior use.

All pulls were designed with a minimum 1-1/2" finger clearance under the grip portion and are provided with a universal adaptor and M6 set screws. Clear nylon washer and rubber inserts are included for glass door application.

## CODE COMPLIANCE



ANSI A156.6 – J401, J402, J406  
 ANSI A117.1 – ADA for barrier free accessibility  
 C-UBC - California Amended Uniform Builders Code  
 NFPA 80 - National Fire Protection Association  
 NFPA-101 National Fire Protection. - Life Safety

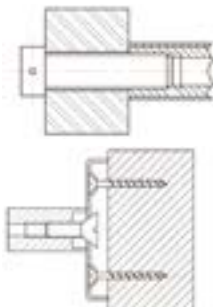
Type	Length	CTC	Tube Dia.	Part Number	Standard Finish
U-Shape	6-3/4"	6"	3/4"	<b>PHIX31106</b>	32D Satin Stainless Steel 32 Bright Stainless Steel
	8-3/4"	8"	3/4"	<b>PHIX31108</b>	32D Satin Stainless Steel 32 Bright Stainless Steel
	10-3/4"	10"	3/4"	<b>PHIX31110</b>	32D Satin Stainless Steel 32 Bright Stainless Steel
	12-3/4"	12"	3/4"	<b>PHIX31112</b>	32D Satin Stainless Steel 32 Bright Stainless Steel
	16-3/4"	16"	3/4"	<b>PHIX311.16.1675</b>	32D Satin Stainless Steel
	18-3/4"	18"	3/4"	<b>PHIX311.18.1875</b>	32D Satin Stainless Steel
	11"	10"	1"	<b>PHIX31210</b>	32D Satin Stainless Steel 32 Bright Stainless Steel
	13"	12"	1"	<b>PHIX31212</b>	32D Satin Stainless Steel 32 Bright Stainless Steel
	13-1/4"	12"	1-1/4"	<b>PHIX31312</b>	32D Satin Stainless Steel 32 Bright Stainless Steel
	19-1/4"	18"	1-1/4"	<b>PHIX31318</b>	32D Satin Stainless Steel 32 Bright Stainless Steel

For additional finish options not listed, contact Sales Department for MOQ and lead times

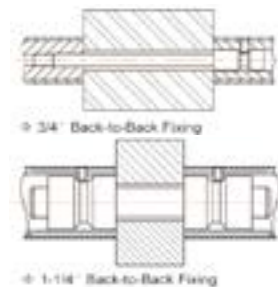
# SURFACE PULLS

Type	Length	CTC	Tube Dia.	Part Number	Standard Finish
Ladder Shape	12"	9-1/2"	3/4"	<b>PHIX330.912.12</b>	32D Satin Stainless Steel
	16"	13-1/2"	3/4"	<b>PHIX330.1312.16</b>	32D Satin Stainless Steel
	18"	15-1/2"	3/4"	<b>PHIX330.1512.18</b>	32D Satin Stainless Steel
	16"	13-1/4"	1-1/4"	<b>PHIX333.1325.16</b>	32D Satin Stainless Steel
	18"	15-1/4"	1-1/4"	<b>PHIX333.1525.18</b>	32D Satin Stainless Steel
T-Shape 90°	16"	12"	1"	<b>PHIX33212</b>	32D Satin Stainless Steel
	16"	10"	1-1/4"	<b>PHIX332.10.16</b>	32D Satin Stainless Steel
	18"	10"	1-1/4"	<b>PHIX33310</b>	32D Satin Stainless Steel
	20"	12"	1-1/4"	<b>PHIX33312</b>	32D Satin Stainless Steel
	26"	18"	1-1/4"	<b>PHIX33318</b>	32D Satin Stainless Steel
	36"	33-1/4"	1-1/4"	<b>PHIX333.3325.36</b>	32D Satin Stainless Steel
	48"	45-1/4"	1-1/4"	<b>PHIX333.4525.48</b>	32D Satin Stainless Steel
	56"	48"	1-1/4"	<b>PHIX33348</b>	32D Satin Stainless Steel
	68"	60"	1-1/4"	<b>PHIX33360</b>	32D Satin Stainless Steel
72"	64"	1-1/4"	<b>PHIX33364</b>	32D Satin Stainless Steel	
T-Shape 45°	18"	10"	1-1/4"	<b>PHIX34310</b>	32D Satin Stainless Steel 32 Bright Stainless Steel
	20"	12"	1-1/4"	<b>PHIX34312</b>	32D Satin Stainless Steel 32 Bright Stainless Steel
	26"	18"	1-1/4"	<b>PHIX34318</b>	32D Satin Stainless Steel 32 Bright Stainless Steel
D-Shape	11"	10"	1"	<b>PHIX32210</b>	32D Satin Stainless Steel 32 Bright Stainless Steel
	13"	12"	1"	<b>PHIX32212</b>	32D Satin Stainless Steel 32 Bright Stainless Steel
	13-1/4"	12"	1-1/4"	<b>PHIX32312</b>	32D Satin Stainless Steel 32 Bright Stainless Steel
	19-1/4"	18"	1-1/4"	<b>PHIX32318</b>	32D Satin Stainless Steel 32 Bright Stainless Steel
Square Shape	8-3/4"	8"	3/4"	<b>PHIX301.8.875</b>	32D Satin Stainless Steel
	16-3/4"	16"	3/4"	<b>PHIX301.16.1675</b>	32D Satin Stainless Steel
	12-3/4"	12"	1"	<b>PHIX45012</b>	32D Satin Stainless Steel
	18-1/4"	18"	1-1/4"	<b>PHIX303.18.1925</b>	32D Satin Stainless Steel

For additional finish options not listed, contact Sales Department for MOQ and lead times



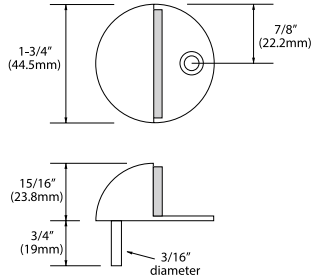
All Surface Pulls are available as either **Bolt-Thru** consists of 1 single pull + 1 Bolt-Thru fixing pack (function code: BT) or **Back-to-Back** consists of 2 single pulls + 1 Back-to-Back fixing pack (function code: BTB)



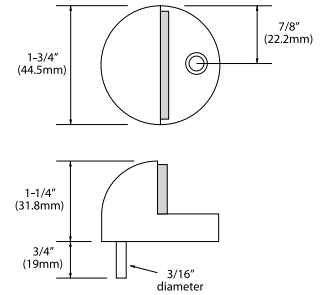
# DOOR STOPS



**DS436**  
Low Dome Stop



**DS438**  
High Dome Stop



## SPECIFICATIONS

<b>Material</b>	Cast Brass or Stainless Steel
<b>Packing</b>	Individually wrapped with mounting screws

## FEATURES

INOX Low and High Dome Stops are beautifully designed and durable for commercial, hospitality, and mixed-use applications. Each Stop is provided with steel Phillips sheet metal screws plated to match the finish.

## CODE COMPLIANCE



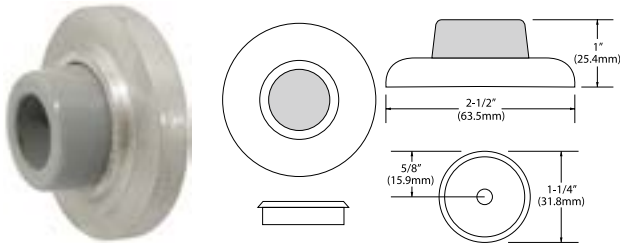
ANSI 156.16 - L12141, L12161, L52141, L52161  
 C-UBC - California Amended Uniform Builders Code  
 NFPA 80 - National Fire Protection Association  
 NFPA-101 National Fire Protection. - Life Safety

Description	Part Number	Standard Finish
1/4" Rise x 1 Low Dome Stop	<b>DS436</b>	26D Satin Chrome
1/2" Rise x 1-1/4" High Dome Stop	<b>DS438</b>	26D Satin Chrome

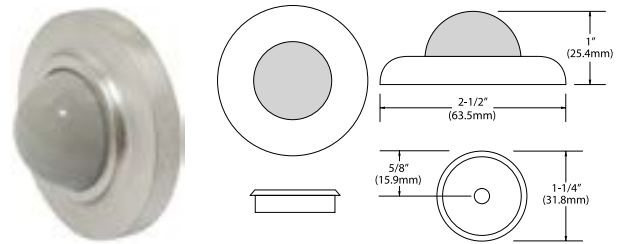
*For additional finish options not listed, contact Sales Department for MOQ and lead times*



# DOOR STOPS / WALL BUMPERS



**DS401**  
Concave Wall Stop



**DS406**  
Convex Wall Stop

## SPECIFICATIONS

<b>Material</b>	Cast Brass or Wrought Stainless Steel
<b>Packing</b>	Stops Individually wrapped with mounting screws

## FEATURES

INOX Wall Bumpers are made of tough, reliable pressure-cast zinc and are provided with steel Phillips sheet metal screws plated to match the finish.

## CODE COMPLIANCE



ANSI 156.16 - L12101, L12251, L52101, L52251  
 C-UBC - California Amended Uniform Builders Code  
 NFPA 80 - National Fire Protection Association  
 NFPA-101 National Fire Protection - Life Safety

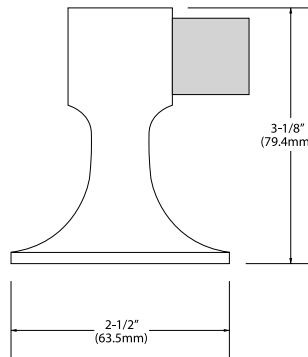
Description	Part Number	Standard Finish
Concave Door Stops, Wall Mount	<b>DS401</b>	26D Satin Chrome
Convex Door Stops, Wall Mount	<b>DS406</b>	26D Satin Chrome

*For additional finish options not listed, contact Sales Department for MOQ and lead times*

# DOOR STOP, FLOOR MOUNT



**DS444**  
Floor Mount Stop



## SPECIFICATIONS

<b>Material</b>	Solid Cast Brass
<b>Packing</b>	Stops Individually wrapped with mounting screws

## FEATURES

INOX DS444 Stops are heavy duty and built with rugged but beautiful materials for dependability and long life. Steel sheet metal screws plated to match finish are included.

## CODE COMPLIANCE



A156.16 - L12131  
 Fed Spec # 1328E  
 C-UBC - California Amended Uniform Builders Code  
 NFPA 80 - National Fire Protection Association  
 NFPA-101 National Fire Protection. - Life Safety

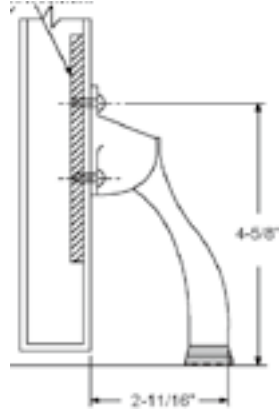
Description	Part Number	Standard Finish
3-1/8" High Door Stop, Floor Mount (ANSI:L12131)	<b>DS444</b>	26D Satin Chrome

*For additional finish options not listed, contact Sales Department for MOQ and lead times*

# DOOR HOLDERS



**DH235**  
Drop Down Door Holder



## SPECIFICATIONS

<b>Spec</b>	5" Cast Brass Holder Stop
<b>Packing</b>	Individually wrapped with mounting screws Polybagged 4 sheet metal screws

## FEATURES

INOX Door Holders are the perfect drop-down solution to ensure the door stays open when needed. Includes steel sheet metal screws plated to match finish.

## CODE COMPLIANCE

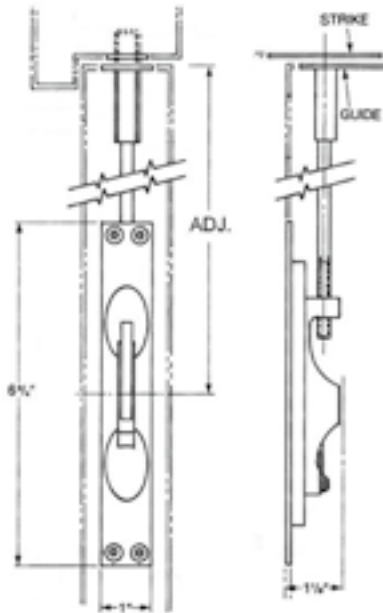


ANSI A156.16 - L11382  
NFPA 80 - National Fire Protection Association  
NFPA-101 National Fire Protection. - Life Safety

Description	Part Number	Standard Finish
Drop Down Door Holder (ANSI L11382)	<b>DH235</b>	26D Satin Chrome

*For additional finish options not listed, contact Sales Department for MOQ and lead times*

# MANUAL FLUSHBOLT FOR METAL DOORS



## FEATURES

INOX Flush Bolts feature rugged forged brass construction for dependability and strength.

The powerful, easy to use spring-loaded lever projects or retracts the bolt.

### FB197M

## SPECIFICATIONS

<b>Handing</b>	Non-Handed
<b>Spec</b>	5/8" throw with 7/8" vertical adjustment 12" rod to fit standard ANSI preparation Spring-loaded lever to project or retract bolt Forged brass construction
<b>Test</b>	Listed up to 3 hours on hollow metal and steel-covered composite doors up to 8 feet
<b>Bolt Housing Screws</b>	#8 x 32 x 1/2" MS #8 x 1" SM
<b>Strike Screws</b>	#8 x 32 x 1/2" MS #8 x 1" SM
<b>Bolt Guide Screws</b>	#8 x 32 x 1/2" MS #8 x 1" SM

## CODE COMPLIANCE



FED. SPEC. - 1049  
ANSI A156.16 - L14251  
NFPA80 - National Fire Protection Association

### Description

Manual Flush Bolt (Metal Door) ANSI: L14251

### Part Number

**FB197M**

### Standard Finish

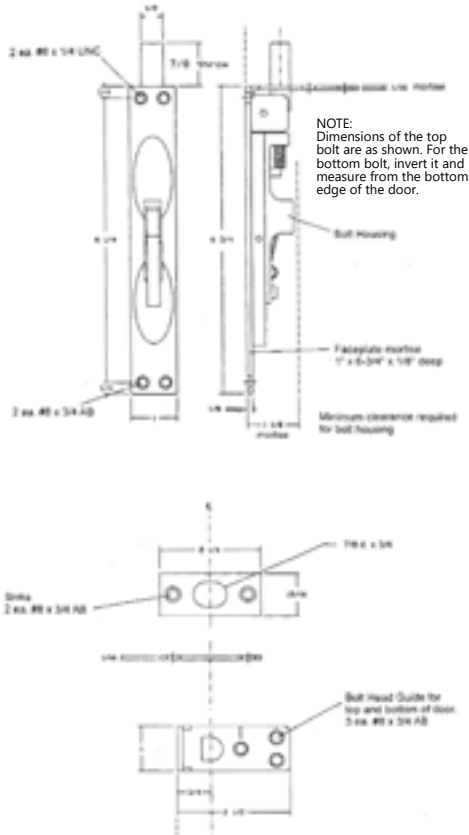
26D Satin Chrome  
10B Oil Rubbed Bronze  
3 Bright Brass

*For additional finish options not listed, contact Sales Department for MOQ and lead times*

# MANUAL FLUSHBOLT FOR WOOD DOORS



**FB196W**



## SPECIFICATIONS

<b>Handing</b>	Non-handed
<b>Spec</b>	5/8" throw with 7/8" vertical Adjustment Spring-loaded lever to project or retract bolt Forged brass construction
<b>Test</b>	Listed up to 1-1/2 hours on Wood and Composite Doors up to 8 feet
<b>Bolt Housing Screws</b>	#8 x 32 x 1/2" MS #8 x 1" SM
<b>Strike Screws</b>	#8 x 32 x 1/2" MS #8 x 1" SM
<b>Bolt Guide Screws</b>	#8 x 32 x 1/2" MS #8 x 1" SM

## CODE COMPLIANCE



FED.SPEC. - 1049  
ANSI A156.16 - L14261  
NFPA80 - National Fire Protection Association

## FEATURES

INOX Flush Bolts feature rugged forged brass construction for dependability and strength.

The powerful, easy to use spring-loaded lever projects or retracts the bolt.

### Description

Manual Flush Bolt (Wood Door) ANSI:L14251

### Part Number

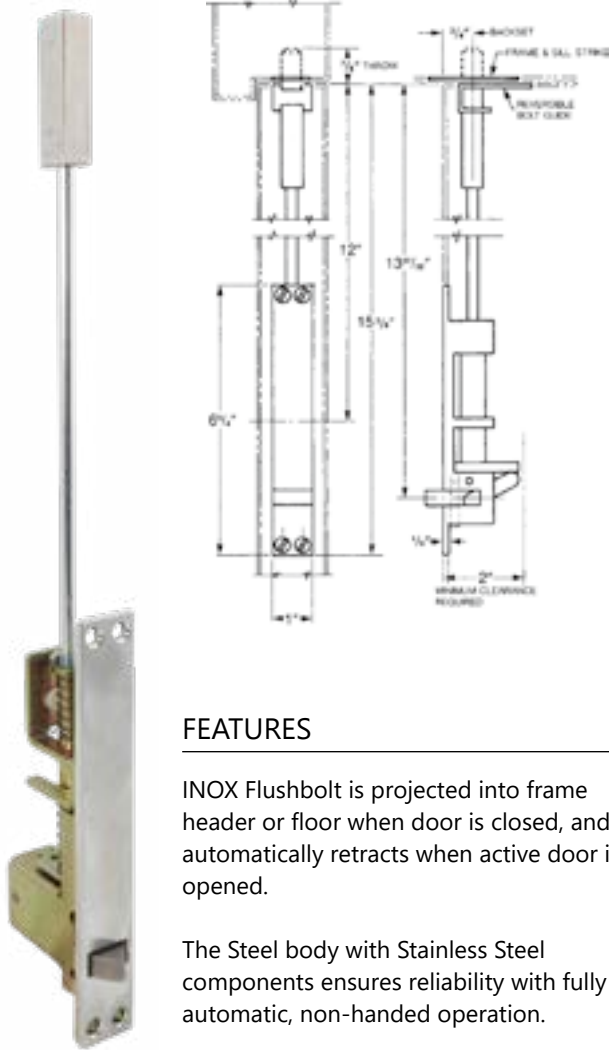
**FB196W**

### Standard Finish

26D Satin Chrome  
10B Oil Rubbed Bronze  
3 Bright Brass

*For additional finish options not listed, contact Sales Department for MOQ and lead times*

# AUTOMATIC FLUSHBOLTS FOR METAL DOORS



## FEATURES

INOX Flushbolt is projected into frame header or floor when door is closed, and automatically retracts when active door is opened.

The Steel body with Stainless Steel components ensures reliability with fully automatic, non-handed operation.

## FBA292M

## SPECIFICATIONS

<b>Handing</b>	Non-handed
<b>Spec</b>	Automatic 3/4" throw with 1" vertical adjustment 12" rod to fit standard ANSI preparation
<b>Test</b>	Listed up to 3 hours on hollow metal and steel-covered composite doors up to 8 feet
<b>Spring</b>	Spring-loaded lever to project or retract bolt Spring override in case of misalignment
<b>Material</b>	Steel body and Stainless Steel components
<b>Bolt Housing Screws</b>	#8 x 32 x 3/4" MS #8 x 1" SM
<b>Strike Screws</b>	#8 x 32 x 3/4" MS #8 x 1" SM
<b>Bolt Guide Screws</b>	#8 x 32 x 3/4" MS #8 x 1" SM

## CODE COMPLIANCE



ANSI - A156.3 Type 25  
ANSIA117.1 and ADA for barrier-free accessibility  
C-UBC-California Amended Uniform Builders Code  
NFPA80 - National Fire Protection Association  
NFPA101 - National Fire Protection - Life Safety

### Description

Auto Flush Bolt (Metal Door)

### Part Number

**FBA292M**

### Standard Finish

32D Satin Stainless Steel

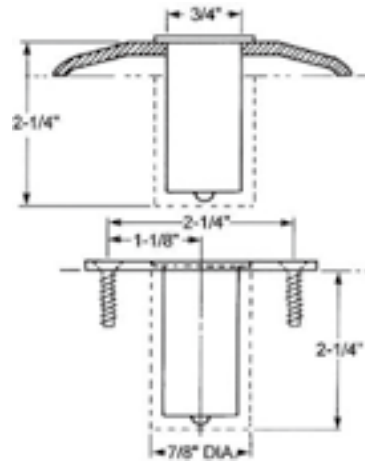
*For additional finish options not listed, contact Sales Department for MOQ and lead times*



# DUST PROOF STRIKE



**DPS280**  
Dust Proof Strike



## SPECIFICATIONS

<b>Material</b>	Extruded Brass
<b>Spring</b>	Loaded 3/4" plunger
<b>Installation</b>	Both floor and threshold installation
<b>Face plate</b>	3" x 1-1/2"
<b>Body diameter</b>	15/16"
<b>Over all depth</b>	2-1/4"
<b>Strike Screws</b>	#12 x 1-1/2"
<b>Anchors</b>	Plastic
<b>Test</b>	UL fire rated for use up to 3 hours

## FEATURES

Suitable for both floor and threshold installation, the INOX Spring-Loaded Strike boasts an extruded brass construction for maximum strength and reliability and includes strike screws and anchor.

The spring-loaded plunger returns to floor level when flushbolt is retracted.

## CODE COMPLIANCE



ANSI - A156.16 - L24011, L24021  
 Conforms to UL 10C and UBC 7-2  
 ANSI A117.1 and ADA for Barrier-Free accessibility  
 C-UBC-California Amended Uniform Builders Code  
 NFPA 80 - National Fire Protection Association  
 NFPA 101- National Fire Protection - Life Safety

## Description

Dust Proof Strike (ANSI: L24011, L24021)

*For additional finish options not listed, contact Sales Department for MOQ and lead times*

## Part Number

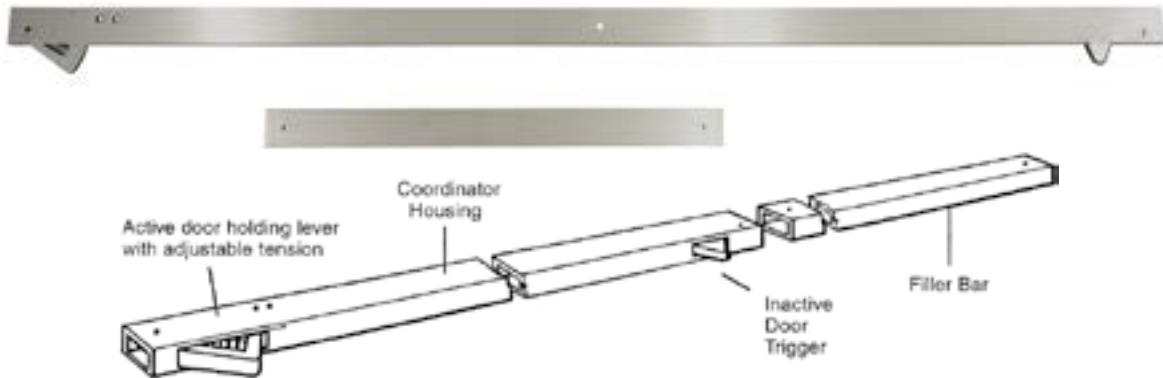
**DPS280**

## Standard Finish

26D Satin Chrome



# COORDINATOR



**COR72 - Coordinator** for 72" Opening

## SPECIFICATIONS

<b>Housing</b>	Extruded aluminum housing
<b>Spring</b>	Adjustable tension override spring
<b>Spec</b>	Filler bar provided, allowing an even, unbroken line across the full width of the opening
<b>Mounting screws</b>	#12 x 24 x 1-1/4" MS

## FEATURES

INOX Coordinators are designed specifically to control the closing sequence, holding an active door open until the inactive door closes, allowing the doors to latch.

## CODE COMPLIANCE



ANSI - A156.3 Type 21A  
 Conforms to UL 10C and UBC 7-2  
 ANSI A117.1 and ADA for Barrier-Free accessibility  
 C-UBC-California Amended Uniform Builders Code  
 NFPA 80 - National Fire Protection Association  
 NFPA 101- National Fire Protection - Life Safety

### Description

52" Coordinator with 20" Filler Bar

### Part Number

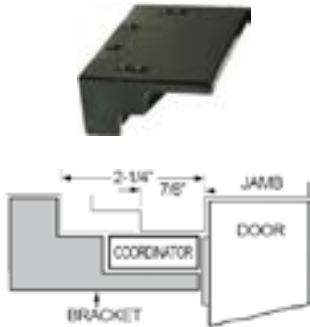
**COR72**

### Standard Finish

AL Aluminum Painted

*For additional finish options not listed, contact Sales Department for MOQ and lead times*

# COORDINATOR ACCESSORIES



## COR-MB434M

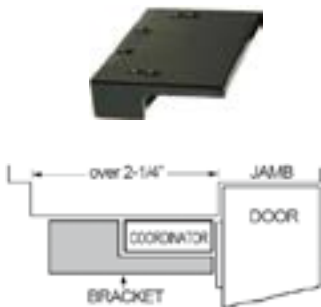
Mounting Bracket  
Jamb Depth 4-3/4" Min.  
5/8" Stop Height  
For Stop Width 7/8" to 2-1/4"



## COR-CB100

The Carry Bar is mounted on the inactive door. When the inactive door is opened, the Carry Bar opens the active door until it engages the Coordinator hold open mechanism.

Not used with automatic flush bolts.



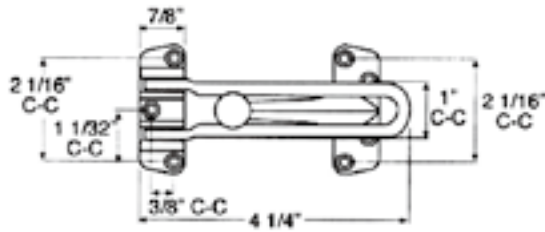
## COR-MB414N

Mounting Bracket  
Jamb Depth 4-1/4" Min.  
5/8" Stop Height  
For Stop over 2-1/4"

# DOOR GUARDS



**DG128/DG128BR**  
Safety Lock Door Guard



## SPECIFICATIONS

<b>ANSI</b>	L93042 - DG128 - Heavy pressure cast alloy
<b>ANSI</b>	L13042 - DG128BR - Solid forged brass
<b>Lock ball</b>	Positive projection lock ball not allowing forced entry
<b>Swing bar</b>	Folds out of plate when not used
<b>Opening</b>	Maximum 4" door opening when engaged
<b>Performance</b>	Cannot be disengaged unless door is fully closed

## FEATURES

INOX DG128 Door Guards are beautifully constructed from cast alloy or solid cast brass. The projected lock ball and flip swing bar disallow forced entry when engaged, and the swing bar folds out of place when it is not in use. Easily installed and provides a maximum 4 inch door opening when engaged; will not disengage until the door is fully closed. Each door guard is individually polybagged with Stainless Steel screws.

## OPTIONS



**DG-EDP128**  
Door edge protector with adhesive



**DG-SHM128**  
Door guard shim

## CODE COMPLIANCE



ANSI A156.16 L13042, L93042  
C-UBC-California Uniform Builders Code  
NFPA 80 - National Fire Protection Association  
NFPA 101 - National Fire Protection. - Life Safety

### Description

Door Guard

### Part Number

**DG128**

### Standard Finish

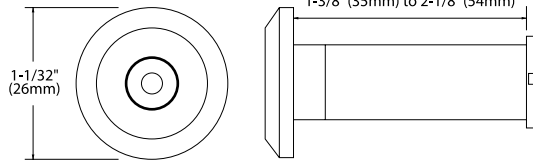
26D Satin Chrome

*For additional finish options not listed, contact Sales Department for MOQ and lead times*

# DOOR VIEWER



**DV33200F**  
 9/16" (14mm) Bore Diameter  
 Inside Flange 1 1/16"



## SPECIFICATIONS

<b>Viewing Area</b>	200°
<b>Lense</b>	Polished Glass Lens
<b>Test</b>	ANSI L23221 UL10c Fire Rated
<b>Material</b>	Solid Brass
<b>Door Thickness</b>	1-3/4" wood or metal door; can be used for 1 1/16" - 1-7/8" thick "Shake" type door

## FEATURES

Featuring an extra-wide 200° viewing area for top security, the INOX Door Viewer includes a highly polished glass lens and is Fire Rated.

## CODE COMPLIANCE



ANSI A156.16 - L21371, L23221  
 Conforms to UL10c and UBC7-2  
 C-UBC-California Amended Uniform Builders Code  
 NFPA 80 - National Fire Protection Association - 1999  
 NFPA 101 - National Fire Protection -Life Safety

Description	Part Number	Standard Finish
Door Viewer, Fire Rated	<b>DV33200F</b>	26D Satin Chrome

*For additional finish options not listed, contact Sales Department for MOQ and lead times*

# COMMERCIAL ROLLER LATCHES



**RL300 Dimensions:**

Body: 1" Wide x 3-3/8" Long x 1-5/8" Deep  
 Strike: 1-11/16" Wide x 2-3/16" Long x 5/32" Thick

**RL300 FEATURES**

Automatic actuation: closing door causes the roller to fall into the strike's depression, holding the door closed.

Projection of the roller is easily adjusted using adjusting screws on the face of the unit; maximum projection of the roller is 3/8", allowing for variance in the door clearance.

Nylon roller with forged brass construction  
 Meets ANSI/BHMAA156.16, E19091



**RL320 Dimensions:**

Body: 1-1/8" Wide x 2-1/4" Long x 1-3/4" Deep  
 Strike: 1-1/8" Wide x 2-3/4" Long x 1/16" Thick

**RL320 FEATURES**

Door is held closed when the roller is actuated.

Projection of the roller is easily adjusted by turning knurled knob on back of latch; maximum projection of roller is 1/2", allowing for variance in door clearance.

Fits heavy-duty cylindrical lock cutout.

Nylon roller with brass and Stainless Steel construction  
 Meets ANSI/BHMA A156.16, E19101

**CODE COMPLIANCE**



ANSI A156.16 E19091  
 C-UBC-California Amended Uniform Builders Code  
 NFPA 80 - National Fire Protection Association - 1999  
 NFPA 101 - National Fire Protection - Life Safety

Part Number	Standard Finish
<b>RL300</b>	26D Satin Chrome 10B Oil Rubbed Bronze
<b>RL320</b>	26D Satin Chrome 10B Oil Rubbed Bronze

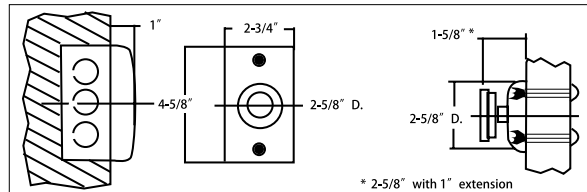
For additional finish options not listed, contact Sales Department for MOQ and lead times

# MAGNETIC DOOR HOLDERS

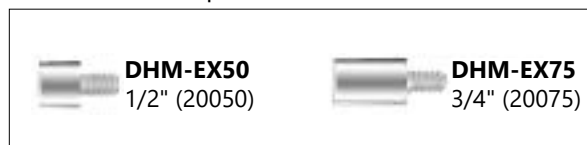


**DHM2100**

## DHM2100 Recessed Wall Mount



## Optional Extensions



## SPECIFICATIONS

<b>Voltage</b>	Tri-voltage can be wired 12V DC, 24V AC/DC or 120V AC
<b>Power</b>	30-45 pound holding power
<b>Extension</b>	1" Extension provided, 1/2" and 3/4" optional extensions available
<b>Installation</b>	Easy wire installation with quick insert connector
<b>Packing</b>	Thick door kits available by special order No plastic parts

## FEATURES

INOX Magnetic Door Holders are easy to install, offer flexible voltage capabilities, and strong holding power. They can be installed on fire/smoke barrier doors held open until released by remote switching devices.

The armature has 360° mobility with thru-bolts to the door for extra security.

## CODE COMPLIANCE



Meeting ANSI/BHMA 156.15 C00011  
 UL Listed for fire/smoke barrier doors  
 C-UBC-California Amended Uniform Builders Code  
 NFPA 80 - National Fire Protection Association - 1999  
 NFPA 101 - National Fire Protection - Life Safety

Description	Part Number	Standard Finish
Magnetic Door Holder (ANSI: C00011)	<b>DHM2100</b>	AL Aluminum Painted

*For additional finish options not listed, contact Sales Department for MOQ and lead times*

## INOX Trim and Auxiliary Hardware CROSS REFERENCES

PRODUCT DESCRIPTION	INOX®	TRIMCO	IVES	HAGER	CAL-ROYAL	ROCKWOOD
4" x 16" Push Plate	PPN4016	1001-3	8200	30S	PSPL4016	-
4" x 16" Push Plate with Round Pull	PPN4016R	1017-3	8302-6	31E x 3E	-	-
Kick Plate Mop Plate, Armor Plate	KNP	K0050	8400	190S	KICK	-
Door Pulls U-Shape, 3/4" Tube Diameter	PHIX311	1194	8102-0	3E	NA	NA
Door Pulls U-Shape, 1" Tube Diameter	PHIX312	1195	8103-0	P4E	NA	RM3131
Door Pulls U-Shape, 1-1/4" Tube Diameter	PHIX313	195-3J	-	10L	NA	RM2132
Door Pulls D-Shape, 1" Tube Diameter	PHIX322	1191-3	8190-0	12G	NA	RM3040
Door Pulls D-Shape, 1-1/4" Tube Diameter	PHIX323	1191-4J	-	NA	NA	RM3050
Door Pulls T-Shape, 1-1/4" Tube Diameter	PHIX333	1171	-	NA	NA	RM3216
Door Pulls T-Shape, 45° offset, 1-1/4" Tube Diameter	PHIX343	1172	-	NA	NA	-
Door Pulls C-Shape, 1-1/4" Tube Diameter	PHIX353	1748-1	-	NA	NA	-
Door Pulls V-Shape, 1-1/4" Tube Diameter	PHIX363	7170	-	NA	NA	-
PRODUCT DESCRIPTION	INOX	TRIMCO	IVES	HAGER	CAL-ROYAL	DCI
Low Dome Stop	DS436	1211	FS436	241F	DSLP4	3310
High Dome Stop	DS438	1212	FS438	243F	DSHP18	3320
Convex Wall Stop	DS401	1270CS	FS401	232W	CONWB42	3210
Concave Wall Stop	DS406	1270WVX	FS406	236W	WB26	3211
Floor Mounted Stops	DS444	1201-5	FS444	267F	GS119	3360
Drop Down Door Holder	DH235	1220-5	FS452-5	271D	SBDH5	3115
Manual Flush Bolt for Wood Doors - UL	FB196W	3913	FB358	283D	WFUL634	790
Manual Flush Bolt for Metal Doors - UL	FB197M	3917	FB457	282D	ULFB634	780F
Automatic Flush Bolt for Wood Doors	FB291W	3815	FB51P	291D	AUTOFLM-1	942
Automatic Flush Bolt for Metal Doors	FB292M	3810	FB31P	292D	AUTOFLW-22	842
Dust Proof Strike	DPS280	3911	DP2	280X	DPSTRK1	DPS82
42" Coordinator and 18" Filler Bar for 60"	COR60	3094	COR42	297D	-	N-660
52" Coordinator and 20" Filler Bar for 72"	COR72	3094	COR52	297D	DORCO-1	672
52" Coordinator and 32" Filler Bar for 84"	COR84	3094	COR52	297D	DORCO-1	684
18" Filler Bar	COR18	3094-2	FL20	297F	FB-1858	-
20" Filler Bar	COR20	3094-2	FL32	297F	FB-2058	-
32" Filler Bar	COR32	3094-3	FL44	297F	FB-3258	-
Mounting Bracket 4-3/4" Minimum Jamb	COR-MB434	3095	MB2	297M	MB-4250	AB
Mounting Bracket 4-1/4" Minimum Jamb	COR-MB414	3096	MB1	297N	MB-4750	C
Carry bar	COR-CB100	3090	CB1	297C	CBCO-1	CB
Door Guard - Cast Alloy	DGIX01	-	-	-	BBDHG88	-
Door Guard - Cast Brass	DGIX01BR	4016	482	1412	SBDG00	-
UL Fire Rated Door Viewer with 200° viewing	DV33200F	976U	698	1756	ULDV200	-







Please visit our website  
[www.inoxproducts.com](http://www.inoxproducts.com)  
for more technical and new product information.

---

**Unison Hardware, Inc.**  
6 Wayne Court, Sacramento, CA 95829, USA Tel: +1.916.388.1888 Fax: +1.916.388.8322  
Email: [info@unisonhardware.com](mailto:info@unisonhardware.com)