

BARN DOOR
Privacy Lock



BD4000

BD1000

CONTENTS

Page 03	BD4000 Concealed Jamb Mount Privacy Lock
Page 04	Application & Installation
Page 05	Concealed Trim
Page 06	Installing with Metal Studs in Jamb
Page 07	Trim Options
Page 08	BD1000 Surface Mount Privacy Lock
Page 09	Pull Options for Barn Doors
Page 12	Finish Options
Page 13	How to Order

Disclaimer: All information in this catalog has been deemed accurate as of the date of printing. We are continuously improving and expanding our line in an effort to offer our clients the finest quality products and services; therefore, Unison Hardware, Inc., reserves the right to alter this information or correct printing errors at any time.

©2022 July, Unison Hardware, Inc. All Rights Reserved.

BD4000 CONCEALED JAMB MOUNT

Barn Door Privacy Lock



SPECIFICATIONS

Material	Trim: Stainless Steel Lockcase: Steel Lockbolt: Stainless Steel Strike: Stainless Steel
Lock Bolt	1/2" (13mm) Diameter
Drive-in Bolt Casing	1" (25mm) Diameter Strike mounted in Barn Door for standard door thickness: 1-3/8" (35mm) to 1-3/4" (45mm) Thick Door Kits Available
Backset	2-1/4" (57mm) and 3-1/2" (89mm)
Handing	Non-handed
Hub and Spindle	5mm x 5mm square

FEATURES

- Groundbreaking engineering places lock inside jamb and dust-proof strike inside door (reverse of typical door locks)
- No need to build out extra frames
- Can retrofit into existing jambs and doors
- Discrete release key provided for emergency opening
- Eight trim selections, including ADA compliant thumbturns



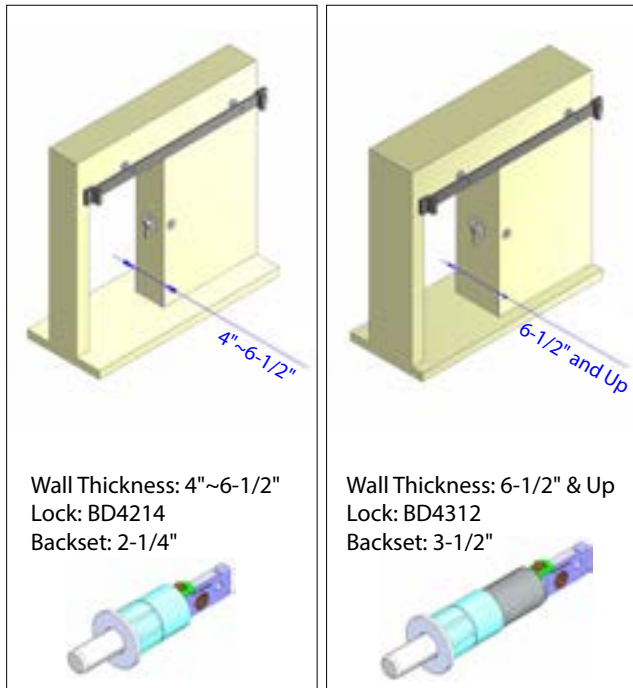
Backset	Backset Part Number	Standard Finish Options
2-1/4"	BD4214	32D Satin Stainless Steel 32 Bright Stainless Steel 10B Oil Rubbed Bronze 4 Satin Brass 19G Graphite Black 26D Satin Chrome
3-1/2"	BD4312	32D Satin Stainless Steel 32 Bright Stainless Steel 10B Oil Rubbed Bronze 4 Satin Brass 19G Graphite Black 26D Satin Chrome

For additional finish options not listed, contact Sales Department for MOQ and lead times

BD4000 CONCEALED JAMB MOUNT

Barn Door Privacy Lock

WALL THICKNESS



Wall Thickness: 4"~6-1/2"
Lock: BD4214
Backset: 2-1/4"

Wall Thickness: 6-1/2" & Up
Lock: BD4312
Backset: 3-1/2"

APPLICATION

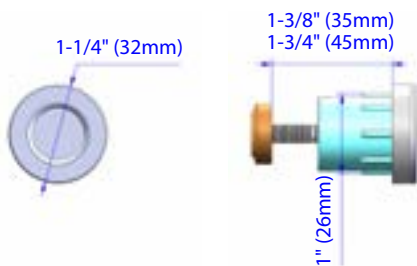
- A simple and elegant privacy lock for barn door openings for either residential or commercial applications, without having to build out extra frames
- Tubular drive-in bolt installed inside the jamb
- Dust-proof strike installed in the door
- Discrete release button with decorative cap installed on outside of the door for emergency release
- A variety of trim escutcheon and thumbturn options, installed on jamb side to allow locking and unlocking of bolt from inside
- ADA thumbturn available, perfect for commercial and hospitality applications

OVERLAP

Door Overlap is the distance from the edge of the door to the edge of the wall. Measure the Door Overlap on the lock side when the door is fully closed

NOTE: Standard door opening walls have 2 wood studs behind drywall or trim casing

WALL THICKNESS

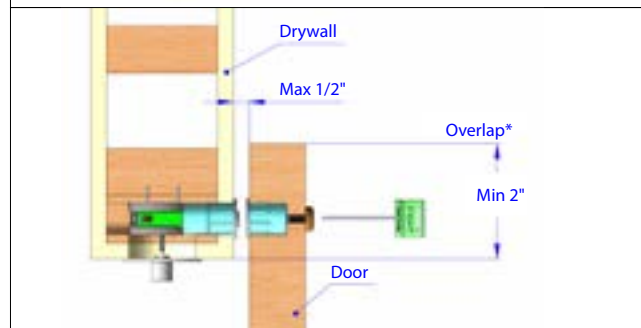
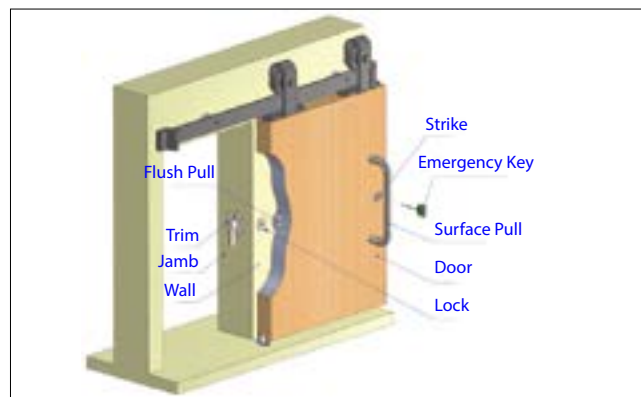
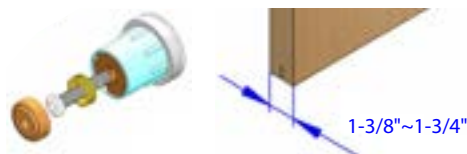


1-1/4" (32mm) diameter spring-loaded dust-proof strike provides ample space to receive 1/2" (13mm) bolt and allows easy locking by end user

Minimum aesthetic impact on door surface

Strike can be adjusted to fit barn door thickness from 1-3/8" (35mm) to 1-3/4" (45mm)

Thick Door Kits (TDK) available



BD4000 FLUSH TRIM

Barn Door Privacy Lock



FEATURES

- Designed for maximum aesthetics without visible screws or fasteners
- Two beautiful contemporary designs
- Smooth stainless steel thumbturn sits flush against the jamb when not in use
- Not ADA compliant

THICK DOOR KIT FOR DOORS 2" AND UP

Available for doors up to 3" thick
Includes extended screw and extended release
For thicker doors, please contact an INOX sales representative



OPTIONAL FACE PLATE

Protects wall from possible damage
INOX Laser Art designs available
Order BD-FPC



SPACER RING

Lock bolt has 1" projection, allows up to 1/2" door to wall gap. Extra spacer ring accommodates up to 3/4" gap between barn door and wall

Backset

2-1/4"

Backset Part Number

BD4214

Standard Finish Options

32D Satin Stainless Steel
32 Bright Stainless Steel
10B Oil Rubbed Bronze
4 Satin Brass
10G Graphite Black
26D Satin Chrome

3-1/2"

BD4312

32D Satin Stainless Steel
32 Bright Stainless Steel
10B Oil Rubbed Bronze
4 Satin Brass
10G Graphite Black
26D Satin Chrome

For additional finish options not listed, contact Sales Department for MOQ and lead times

BD4000 CONCEALED JAMB MOUNT FOR METAL STUDS

Barn Door Privacy Lock



FEATURES

- Engineered for walls with metal studs oriented away from each other
- Reinforcement bracket strengthens lockbolt
- Unique design allows flexible lock placement in wall

INSTALLATION OPTIONS

A:

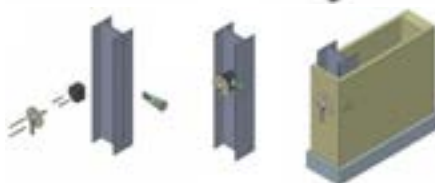


A. (above) requires a 2-1/8" bore through first stud to allow installation on second stud. For B. and C. (below), install bracket on first stud.

B:



C:



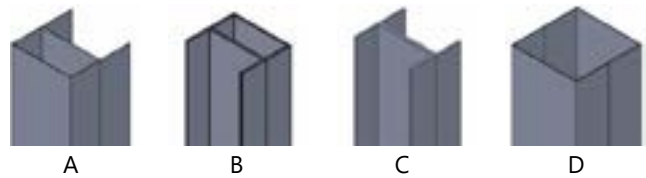
D:



D. (above) requires a special bracket that is only compatible with the rectangular trim shown. This prep requires a 2-1/4" bore on the first stud to allow bracket installation.

ORIENTATION OF METAL STUDS

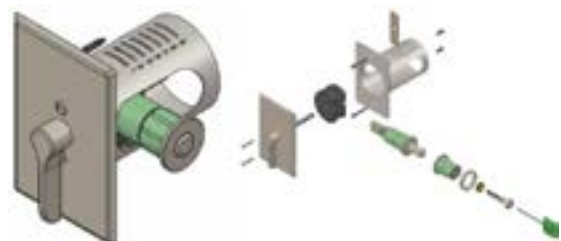
- A. Overlapping - flat surface toward jamb
- B. Overlapping - flat surface away from jamb
- C. Studs back to back
- D. Studs form box (special bracket needed)



Standard bracket for installations A, B, and C, shown with EC1217 Rose and Thumbturn



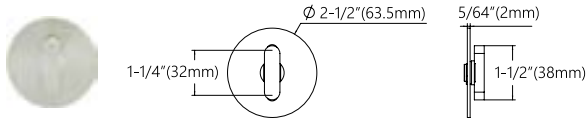
Special bracket, faceplate, and exploded diagram of lock for installation D, shown with TT17 Thumbturn



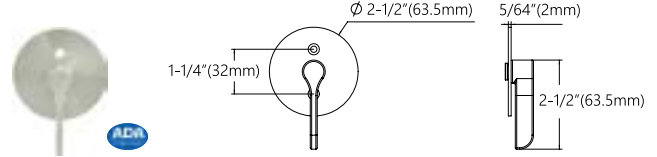
Order **BD-BRIX-MS**

BD4000 PRIVACY LOCK TRIM OPTIONS

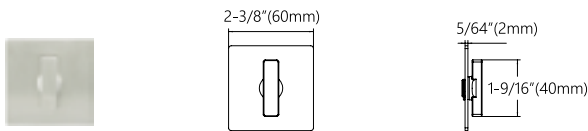
Escutcheons & Thumbturns



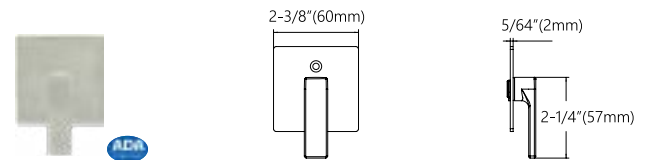
EC1216



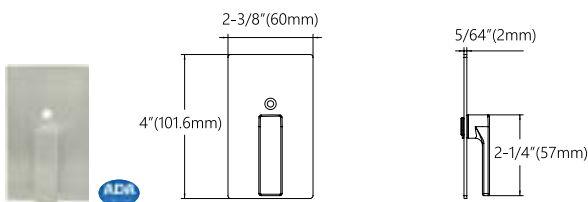
EC1217



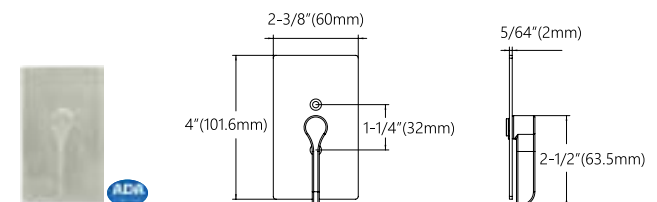
EC1314



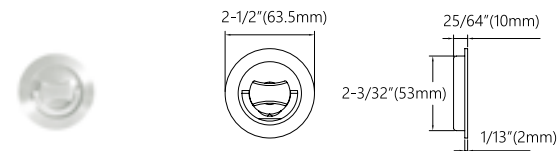
EC1315



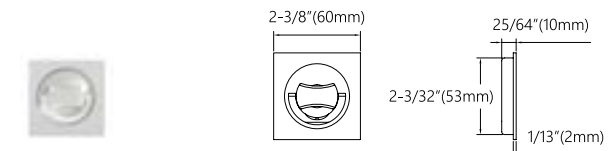
EC1517



EC1515



FH2262 CF*



FH2362 CF*

* CF stands for Concealed Fixing

BD1000 PRIVACY LOCK

Surface Mounted



SPECIFICATIONS

Material	Stainless Steel
Lockcase	3-2/5" x 1-3/4" x 7/13"
Standard Thumb-lever	1" (order BD1022)
ADA Thumb-lever	1-3/5" (order BD1023)

FEATURES

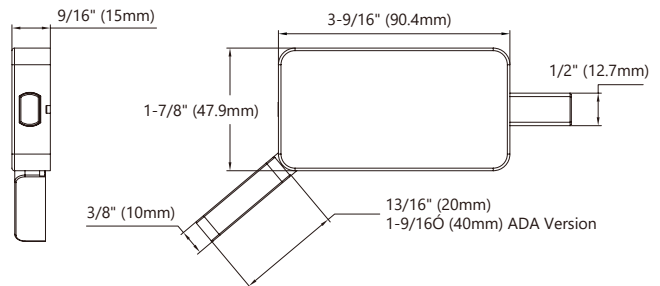
- Installs on any type of wall or jamb casing
- Easy, quick installation—field reversible
- No need to drill drywall or studs; protects decorative molding
- Perfect for renovation or remodeling
- Two thumb levers available, including ADA option



BD1022
Standard 1"
Thumb-lever



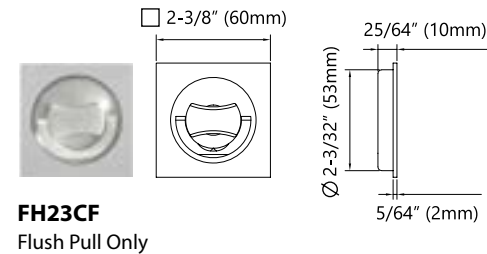
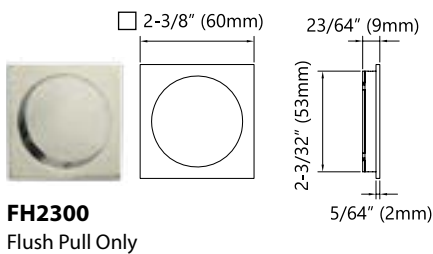
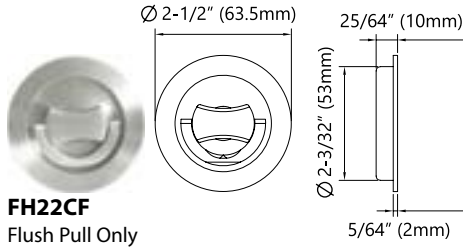
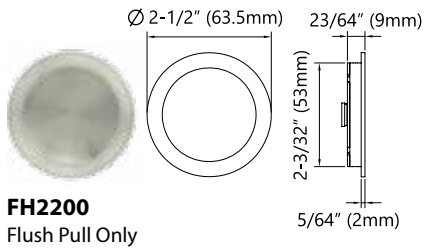
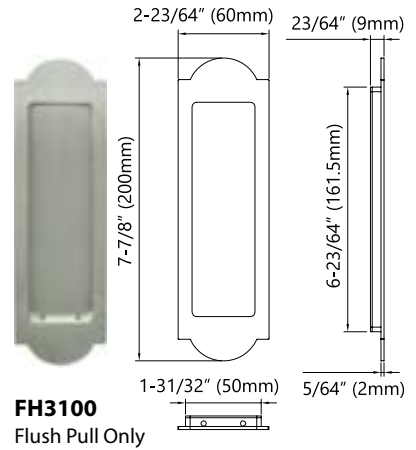
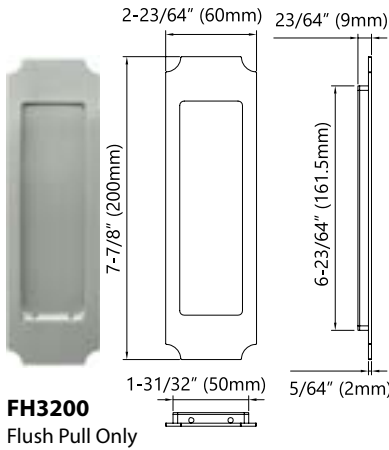
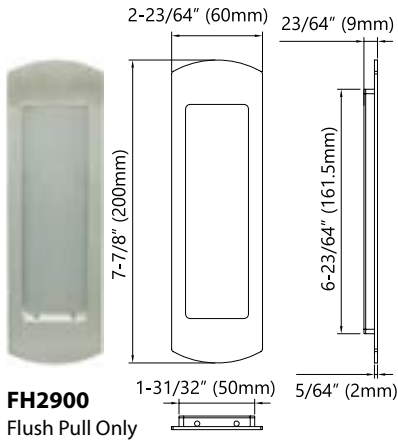
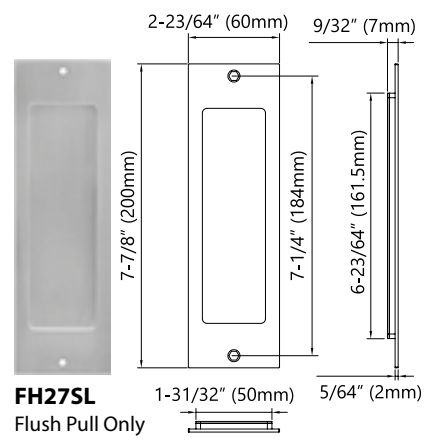
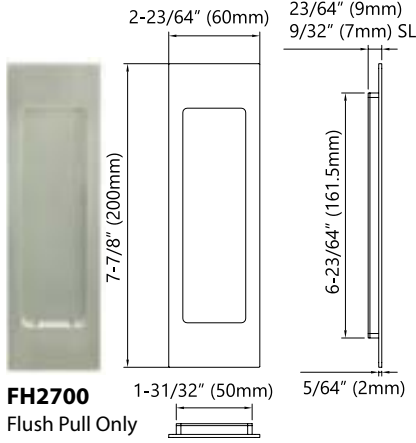
BD1023
ADA 1-3/5"
Thumb-lever



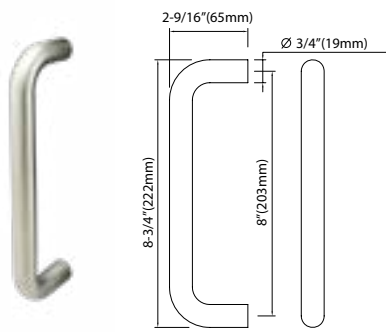
Lock Part Number	Description	Standard Finish for all Locks
BD1022	Surface-mounted Barn Door Lock with Standard 1" Thumb Lever	32D Satin Stainless Steel 32 Bright Stainless Steel 10B Oil Rubbed Bronze 4 Satin Brass 10G Graphite Black
BD1023	Surface-mounted Barn Door Lock with 1-3/5" ADA Thumb Lever	32D Satin Stainless Steel 32 Bright Stainless Steel 10B Oil Rubbed Bronze 4 Satin Brass 10G Graphite Black

For additional finish options not listed, contact Sales Department for MOQ and lead times

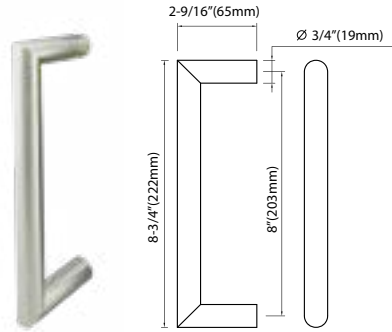
FLUSH PULL OPTIONS FOR BARN DOORS



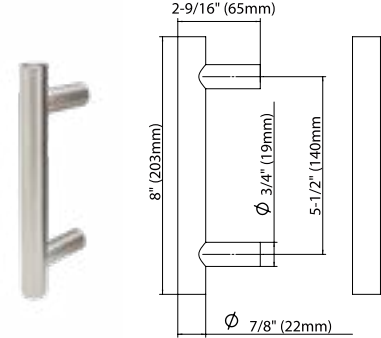
ADA COMPLIANT SURFACE PULL OPTIONS



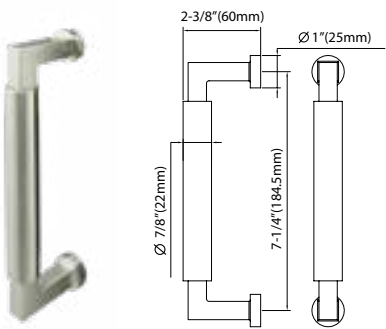
PHIX31108



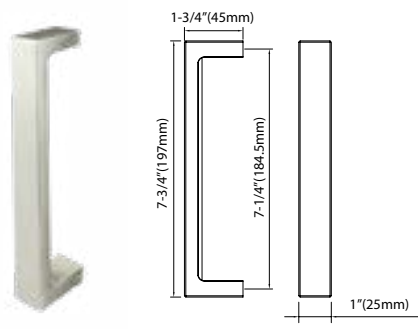
PHIX30108



PHIX330.512.8



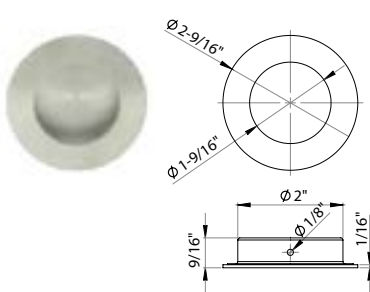
PHIX41714



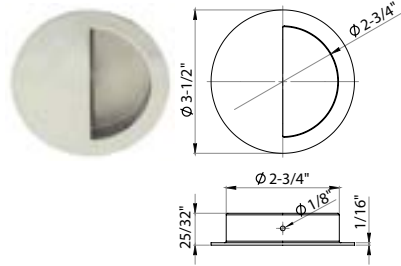
PHIX45714



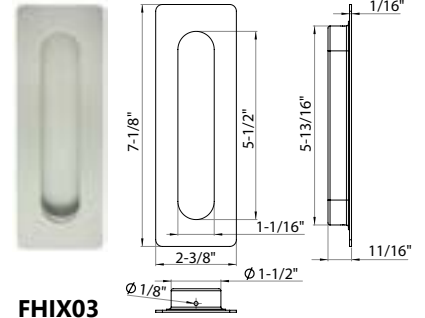
FLUSH CUP PULL OPTIONS



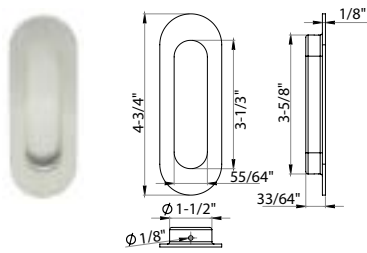
FHIX01
Flush Cup Pull



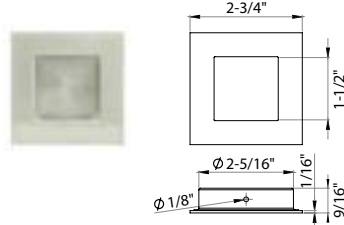
FHIX02
Flush Cup Pull



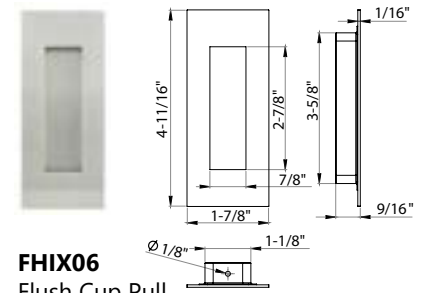
FHIX03
Flush Cup Pull



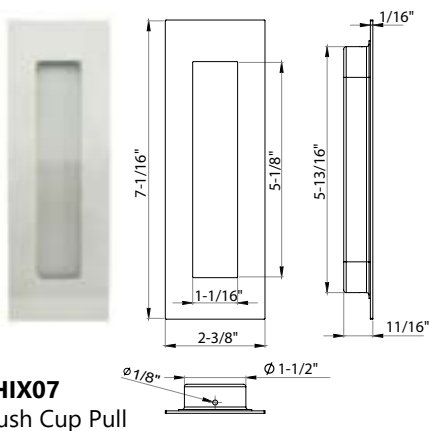
FHIX04
Flush Cup Pull



FHIX05
Flush Cup Pull



FHIX06
Flush Cup Pull



FHIX07
Flush Cup Pull

Stainless Steel, Concealed Fixing, Screws Included

FINISH OPTIONS

Stainless Steel

Stainless Steel is a corrosion-resistant Lifetime metal, which makes it ideal for use on exterior doors that are subject to extreme weather conditions. INOX product has a stellar environmental track record with stainless steel manufacturing -- our factories have state of the art processes that dramatically reduce carbon emissions, conserve energy, and recycle raw materials. Our INOX line of stainless steel product brings out the innate beauty of the nickel content.

The mirror-like Bright Stainless Steel 32 finish creates an elegant, modern look that complements and accentuates a variety of decors and architectural styles. Hand polishing in the Satin Stainless Steel 32D finish exposes the elegant color and smooth texture of this rich metal and ensures a long-lasting finish compared to ordinary plating finishes. Oil Rubbed Bronze 10B is an enduring living finish that creates unique, distinctive bronze highlights over time. Graphite Black (a non-ceramic option) is deep, rich, and as beautiful as the night.



32D
Satin
Stainless Steel



32
Bright Polished
Stainless Steel



10B
Oil Rubbed Bronze
on Stainless Steel



19G
Graphite Black
on Stainless Steel



26D
Satin
Chrome

PVD - Physical Vapor Deposition

PVD is a process that produces a metal vapor deposited on electrically-conductive materials as a thin, highly adhered pure metal or alloy coating. A wide range of decorative PVD colors are available, including brass tones, gold tones, black to grey, silver tones (nickel, chrome), copper and bronze tones. Our PVD finishes are available in bright, satin, or matte tones; note that actual finish may differ from color shown. Contact Sales Department for availability.



PVD4
Satin Brass (PVD)

CeraMax™ Ceramic Coating

Ceramic coating not only provides a rainbow of new color options, but offers effective abrasive-resistant qualities for areas with adverse weather conditions. Please inquire about color options, lead time, and minimum order quantities (if any). Never use abrasives to clean ceramic coating.



C19G
Ceramic
Graphite Black



C19
Ceramic
Flat Black



CGY
Ceramic
Stormy Grey











CDB
Ceramic
Dark Bronze

HOW TO ORDER

BD4000 Privacy Lock for Barn Door


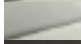


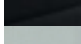

To order, please describe the additional requirements in the same sequence as below. Please see price book for parts or additional service upcharge.

Rose/Thumbturn				Backset		Finish	
EC1315				BD4214		32D	
①				②		③	
ROSE/THUMBTURN							
							
EC1216	EC1217	EC1314	EC1315	EC1515	EC1517	FH22CF	FH23CF

② BACKSET

BD4214 = 2-1/4" BD4312 = 3-1/2"

③ FINISH

		EC1216	EC1217	EC1314	EC1315	EC1515	EC1517	FH22CF	FH23CF
Standard	32D 	X	X	X	X	X	X	X	X
	32 	X	X	X	X	X	X	X	X
	10B 	X	X	X	X	X	X	X	X
	4 	X	X	X	X	X	X	X	X
	19G 	X	X	X	X	X	X	X	X
	26D 	X	X	X	X	X	X	X	X

Special Order Finishes subject to minimum order quantity, extended lead-time and upcharge. Contact Sales Department for details.



Please visit our website
www.inoxproducts.com
for more technical and new product information.

Unison Hardware, Inc.

6 Wayne Court, Sacramento, CA 95829, USA Tel: +1.916.388.1888
Email: info@unisonhardware.com