



ISK-B300

Narrow Stile Smart Reader Controller with Keypad

- Connects directly to any hardwired electrified locking device
- Multi-credential electronic access control device with reader, controller, and monitor all-in-one that is fully integrated with the INOX Smart App
- Cloud-based monitoring and user role and permissions with an audit trail
- DPS and DBM switches monitoring on Smart App
- Communicates in near proximity with Bluetooth Low Energy and remotely through a Wi-Fi gateway
- Supports multi access modes: PIN, RFID card, Fob
- Modern indoor / outdoor touchscreen keypad, IP66 water resistant

SPECIFICATIONS

| | |
|----------------------------|---|
| Keypad | Back Lit Digital Touchscreen |
| Style | Mullion |
| Frequency | 125KHz / 13.56MHz |
| Input Voltage | 12/24 V DC |
| RF Output | 13.56MHz or 125kHz (reader) 26-Bit Wiegand |
| Read Interface | EM / MIFARE |
| Read Range | 2~6cm |
| Working Current | <80mA ~<40mA |
| Idle Current | <30mA ~<20mA |
| Pin Length | 4~8 digits |
| User Capacity | 1000 RFID + 1000 Mobile |
| Working Humidity | 0% to 98% |
| Working Temperature | -20° F to 140° F |
| Dimension | 5-7/8" x 1-3/4" x 7/8" 150mm x 44mm x 22mm |
| Material | Die Cast Metal |

APPLICATION

The INOX ISK-B300 Smart Keypad is designed for high frequency openings and can connect to any hardwired electrified door hardware. These openings might include: building entry, emergency exit, pool gate, gym, or laundry room. The Smart Keypad is the perfect solution across commercial, residential, mixed-use, hospitality and residential applications.

SECURITY COMPLIANCE

- Backend IoT PaaS complies with domestic and international information security standards, privacy and compliance requirements
- Backend IoT PaaS security covers data and cloud services



FINISH

- BK - Black
- AL - Aluminum

FEATURES & FUNCTIONS



INOX Smart App provides a comprehensive Access Management System

- Manage multiple properties, all with multiple openings
- Set different user roles allowing different users to have different levers of control
- 2-step verification available for added security
- Privacy and passage mode feature
- Advance scheduling mode



Monitoring with INOX Smart App

- Audit trail shows all lock and unlock activity
- Monitoring notifications
- Global search function
- Allow administrators to monitor on web-based platform



Control Unity with built-in relay

- Supports normally closed / normally open electromagnetic locking devices
- Integrates with Door Positioning Sensor (DPS)
- Integrates with Deadbolt Monitoring Sensor (DBM)
- Integrates with Request to Exit (REX)
- Standalone Weigang Control
- Alarm capabilities

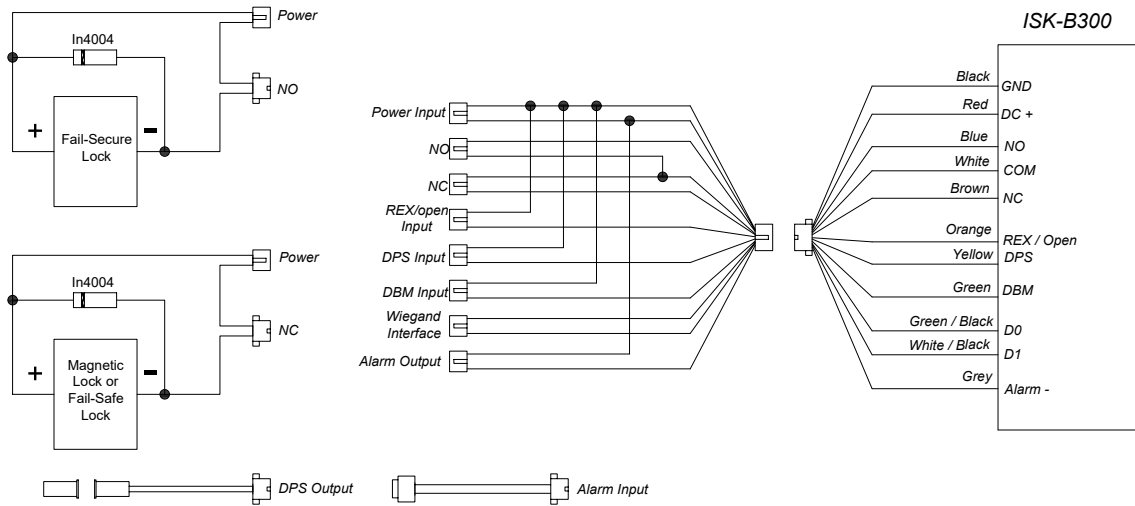


Reader

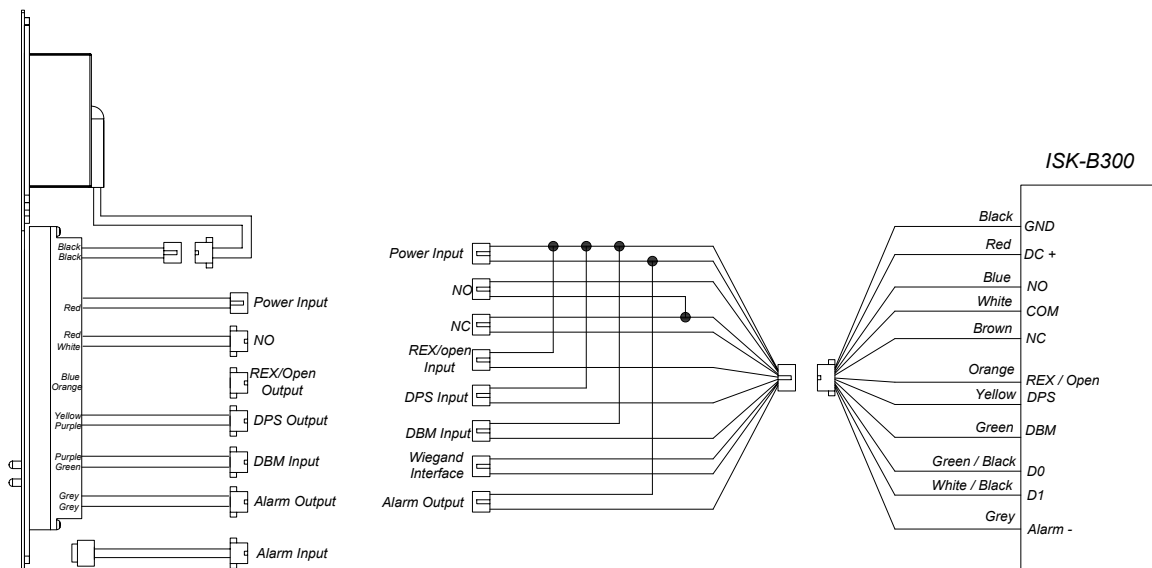
- INOX Smart App authenticates credentials through encrypted cloud based platform
-
- | | |
|----------|---|
| Mobile | <ul style="list-style-type: none"> • Reads bluetooth with Smart Phones or Gateways • Reads mobile credential from an iPhone or iPad using IOS with INOX Smart App • Reads mobile credential from a Smart Phone or Tablet using Android Operating System with INOX Smart App • BLU-WiFi Gateway (Remotely) • BLE-POE Gateway (Remotely) |
| RFID | <ul style="list-style-type: none"> • 125KHz • 13.56MHz |
| Passcode | <ul style="list-style-type: none"> • User defined code (generated through App) • Random system generated code 4~8 digits (generated through App) • One-time code -24 hours (generated through App) • Master Emergency Code (locally programmed and stored) |
-
- Standalone Weigand Reader Mode

ISK-B300 NARROW STILE SMART READER CONTROLLER WITH KEYPAD

WIRING DIAGRAM: MAGNETIC LOCKS



WIRING DIAGRAM: PD97ATLC1

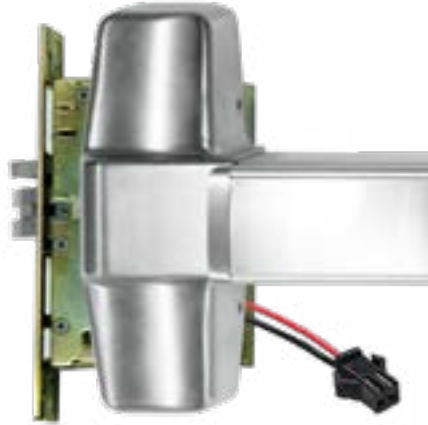


| Wire Color | Function | Notes |
|---|--------------|---|
| Basic Standalone Wiring | | |
| Red | DC+ | 12-24V DC Power Input |
| Black | GND | Negative Pole of DC Power Input |
| Blue | Relay NO | Normally Open Relay Output (install diode provided) |
| Purple | Relay Common | Common Connection for Relay Output |
| Pink | Relay NC | Normally Closed Relay Output (install diode provided) |
| Orange | REX/Open | Request to Exit (REX) Input |
| Pass-Through Wiring (Wiegand Reader or Controller) | | |
| Green/Black | Data 0 | Wiegand Output (Pass-Through) Data 0 |
| White/Black | Data 1 | Wiegand Output (Pass-Through) Data 1 |
| Advanced Input and Output Features | | |
| Grey | Alarm Output | Negative contact for Alarm |
| Yellow | DPS Input | Door/Gate Contact Input (Normally Closed) |
| Brown | DBM Input | Deadbolt Open Detection Input |

COMPATIBILITY



Electrified Mortise MC7000



Electrified Exit Devices



Electric Strikes

HOW TO ORDER

Smart Keypad

ISK-B300

1

Finish

-BK

2

FINISH



BK



AL