

# XSF TRIM FOR RIM, SVR, LBR EXIT DEVICES

Compatible with ED93/ED70

- Escutcheon Size:  
2-3/4" x 10-9/16"  
(70mm x 268mm)
- Cylinder Size:  
1-1/8" Mortise Cylinder  
Entry & Storeroom Function



201 COLOGNE



\*202 MUNICH



205 FRANKFURT



221 AURORA



243 SUNRISE



\*244 TWILIGHT



276 PLAZA



318 CAFE



319 HAMPTON



320 EMPIRE



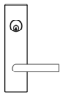
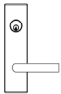
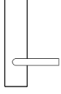
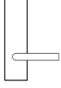
345 TOKYO



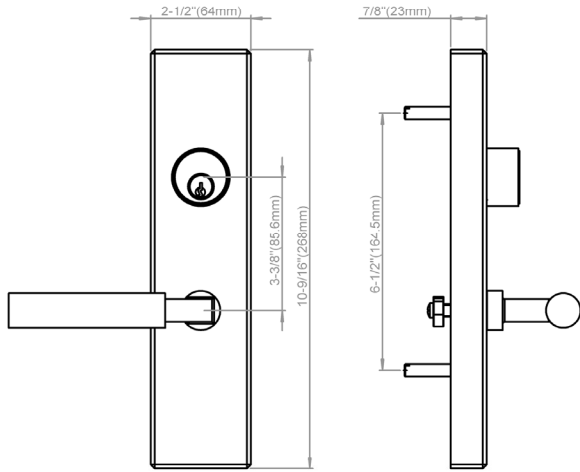
\*346 OSAKA

\* Return-to-Door Lever Designs comply with California and other state building codes for door openings

Entry 3 digit lever design code for outside escutcheon

Images	Description	Part Number	Standard Finish
	Entry Function Mortise with Cylinder (ANSI 08)	<b>EDES-XSF__EN</b>	32D Satin Stainless Steel 19G Graphite Black 26D Satin Chrome
	Night Latch / Storeroom Function Mortise with Cylinder (ANSI 09)	<b>EDES-XSF__NL</b>	32D Satin Stainless Steel 19G Graphite Black 26D Satin Chrome
	Passage Function (ANSI 14)	<b>EDES-XSF__BE</b>	32D Satin Stainless Steel 19G Graphite Black 26D Satin Chrome
	Dummy Function (ANSI 02)	<b>EDES-XSF__DM</b>	32D Satin Stainless Steel 19G Graphite Black 26D Satin Chrome

For additional finish options not listed, contact Sales Department for MOQ and lead times



# XSF TRIM FOR CONCEALED VERTICAL ROD EXIT DEVICES

Compatible with ED93/ED70

- Escutcheon Size:  
2-1/2" x 10-9/16"  
(64mm x 268mm)
- Cylinder Size:  
1-1/4" Mortise Cylinder  
Entry & Storeroom Function



201 COLOGNE



\*202 MUNICH



205 FRANKFURT



221 AURORA



243 SUNRISE



\*244 TWILIGHT



276 PLAZA



318 CAFE



319 HAMPTON



320 EMPIRE



345 TOKYO



\*346 OSAKA

\* Return-to-Door Lever Designs comply with California and other state building codes for door openings

Entry 3 digit lever design code for outside escutcheon

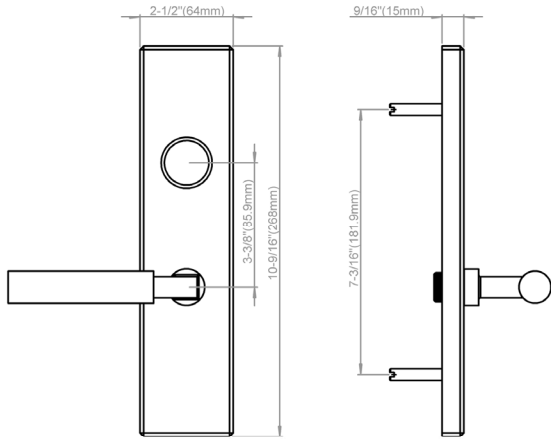
Images	Description	Part Number	Standard Finish
	Entry Function Mortise with Cylinder (ANSI 08)	<b>EDCV-XSF___EN</b>	32D Satin Stainless Steel 19G Graphite Black 26D Satin Chrome
	Night Latch / Storeroom Function Mortise with Cylinder (ANSI 09)	<b>EDCV-XSF___NL</b>	32D Satin Stainless Steel 19G Graphite Black 26D Satin Chrome
	Passage Function (ANSI 14)	<b>EDCV-XSF___BE</b>	32D Satin Stainless Steel 19G Graphite Black 26D Satin Chrome
	Dummy Function (ANSI 02)	<b>EDCV-XSF___DM</b>	32D Satin Stainless Steel 19G Graphite Black 26D Satin Chrome

For additional finish options not listed, contact Sales Department for MOQ and lead times

# XSF TRIM FOR MORTISE EXIT DEVICES

Compatible with ED93/ED70

- Escutcheon Size:  
2-1/2" x 10-9/16"  
(64mm x 268mm)
- Cylinder Size:  
1-1/2" Mortise Cylinder  
Entry & Storeroom Function



\* Return-to-Door Lever Designs comply with California and other state building codes for door openings

Entry 3 digit lever design code for outside escutcheon

Images	Description	Part Number	Standard Finish
	Entry Function Mortise with Cylinder (ANSI 08)	<b>EDML-XSF__EN</b>	32D Satin Stainless Steel 19G Graphite Black 26D Satin Chrome
	Night Latch / Storeroom Function Mortise with Cylinder (ANSI 09)	<b>EDML-XSF__NL</b>	32D Satin Stainless Steel 19G Graphite Black 26D Satin Chrome
	Passage Function (ANSI 14)	<b>EDML-XSF__BE</b>	32D Satin Stainless Steel 19G Graphite Black 26D Satin Chrome
	Dummy Function (ANSI 02)	<b>EDML-XSF__DM</b>	32D Satin Stainless Steel 19G Graphite Black 26D Satin Chrome

For additional finish options not listed, contact Sales Department for MOQ and lead times