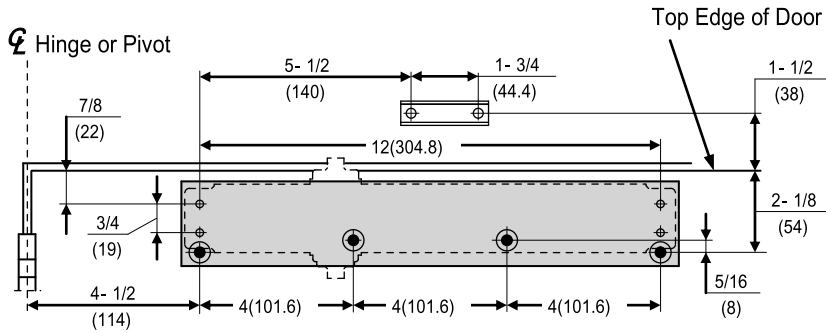
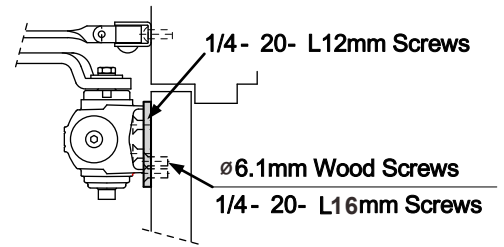


**PULL SIDE (DOOR JAMB) DROP PLATE PERMITS 180° MAXIMUM OPENING**



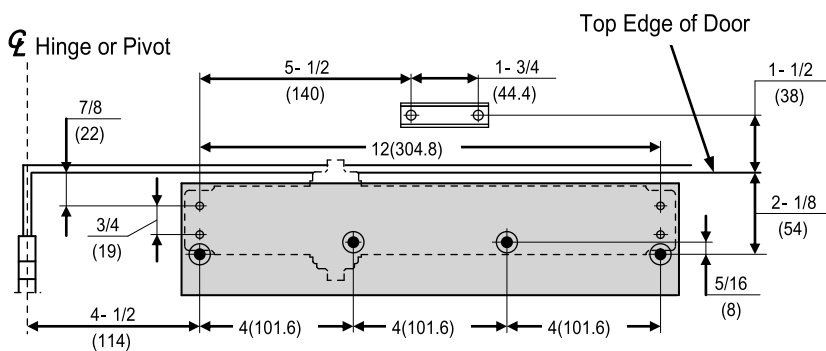
**PULL SIDE MOUNT ON:  
990 - 3146 DROP PLATE  
DCDP85P3**



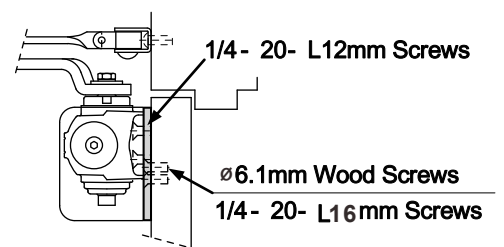
- Do Not Scale Drawing
- Dimensions : inches(mm)

**RIGHT HAND DOOR SHOWN, LEFT HAND OPPOSITE.**

**PULL SIDE (DOOR JAMB) DROP PLATE PERMITS 180° MAXIMUM OPENING**



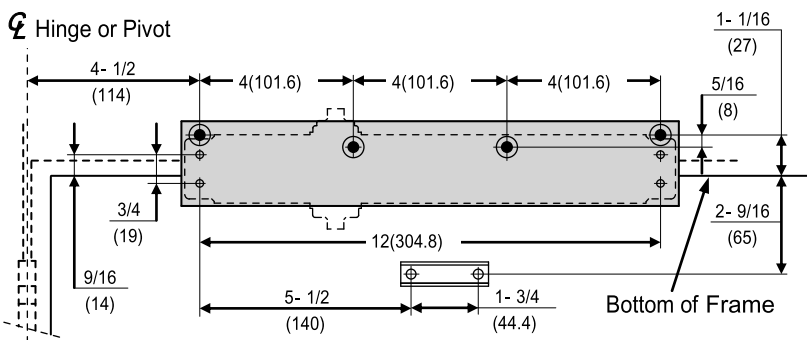
**PULL SIDE MOUNT ON:  
990 - 3546 DROP PLATE  
DCDP85P1**



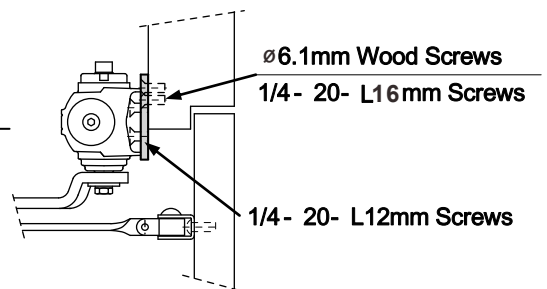
- Do Not Scale Drawing
- Dimensions : inches(mm)

**RIGHT HAND DOOR SHOWN, LEFT HAND OPPOSITE.**

**PUSH SIDE (TOP JAMB) DROP PLATE PERMITS 180° MAXIMUM OPENING**



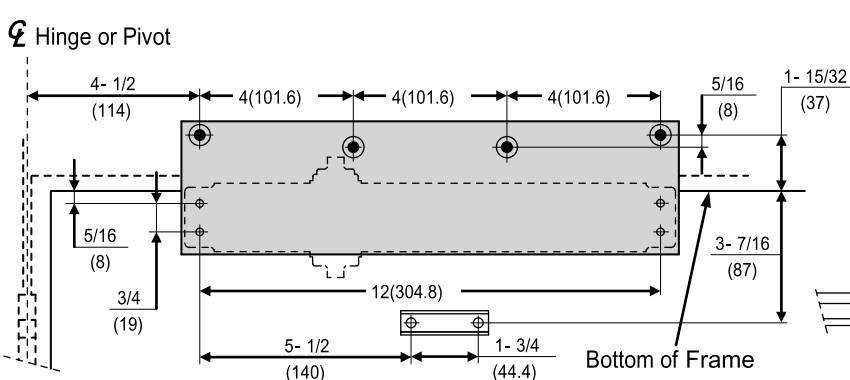
**PUSH SIDE MOUNT ON:  
990 - 3146 DROP PLATE  
DCDP85P3**



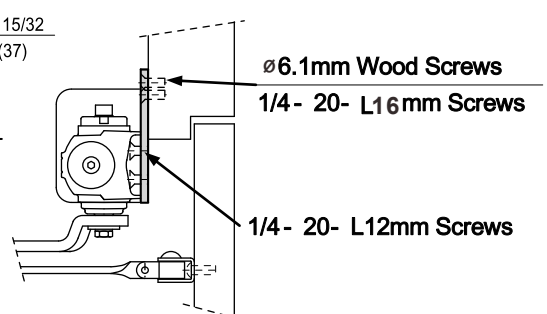
- Do Not Scale Drawing
- Dimensions : inches(mm)

**LEFT HAND DOOR SHOWN, RIGHT HAND OPPOSITE.**

**PUSH SIDE (TOP JAMB) DROP PLATE PERMITS 180° MAXIMUM OPENING**



**PUSH SIDE MOUNT ON:  
990 - 3148 DROP PLATE  
DCDP85P4**

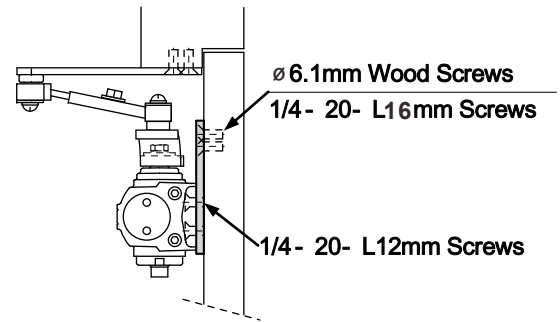
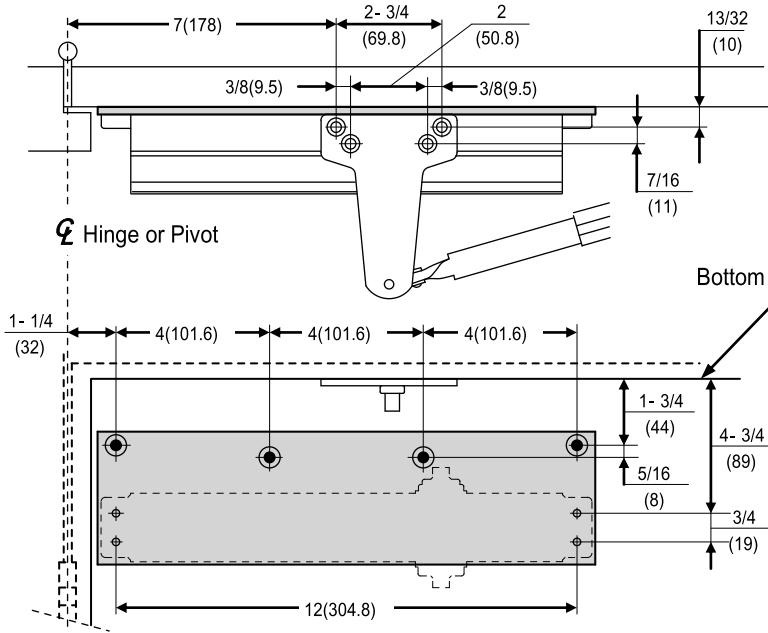


- Do Not Scale Drawing
- Dimensions : inches(mm)

**LEFT HAND DOOR SHOWN, RIGHT HAND OPPOSITE.**

**PUSH SIDE (DOOR MOUNT) DROP PLATE PERMITS 180° MAXIMUM OPENING**

**PUSH SIDE MOUNT ON:  
990 - 3148 DROP PLATE  
DCDP85P4**

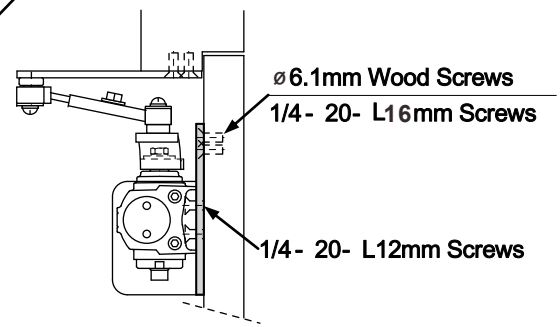
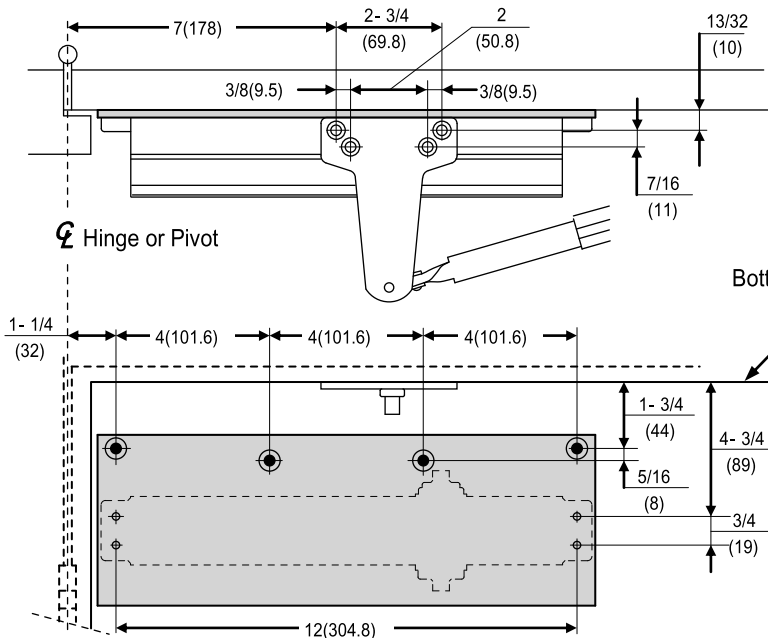


- Do Not Scale Drawing  
- Dimensions : inches(mm)

**LEFT HAND DOOR SHOWN, RIGHT HAND OPPOSITE.**

**PUSH SIDE (DOOR MOUNT) DROP PLATE PERMITS 180° MAXIMUM OPENING**

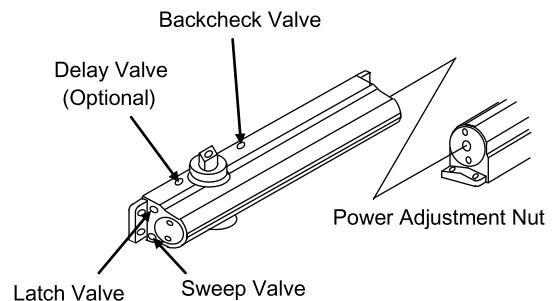
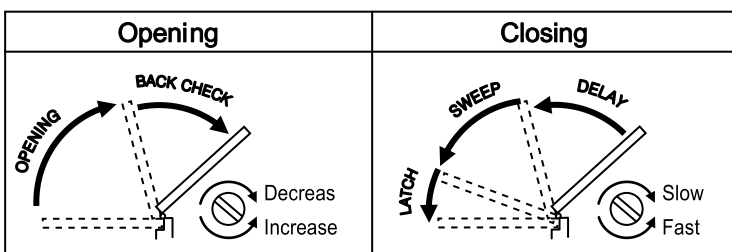
**PUSH SIDE MOUNT ON:  
990 - 3548 DROP PLATE  
DCDP85P2**



- Do Not Scale Drawing  
- Dimensions : inches(mm)

**LEFT HAND DOOR SHOWN, RIGHT HAND OPPOSITE.**

**CLOSER ADJUSTMENT**



**CAUTION !!** Do not turn adjusting valve more than two(2) full turns counter - clockwise from its factory set positing.