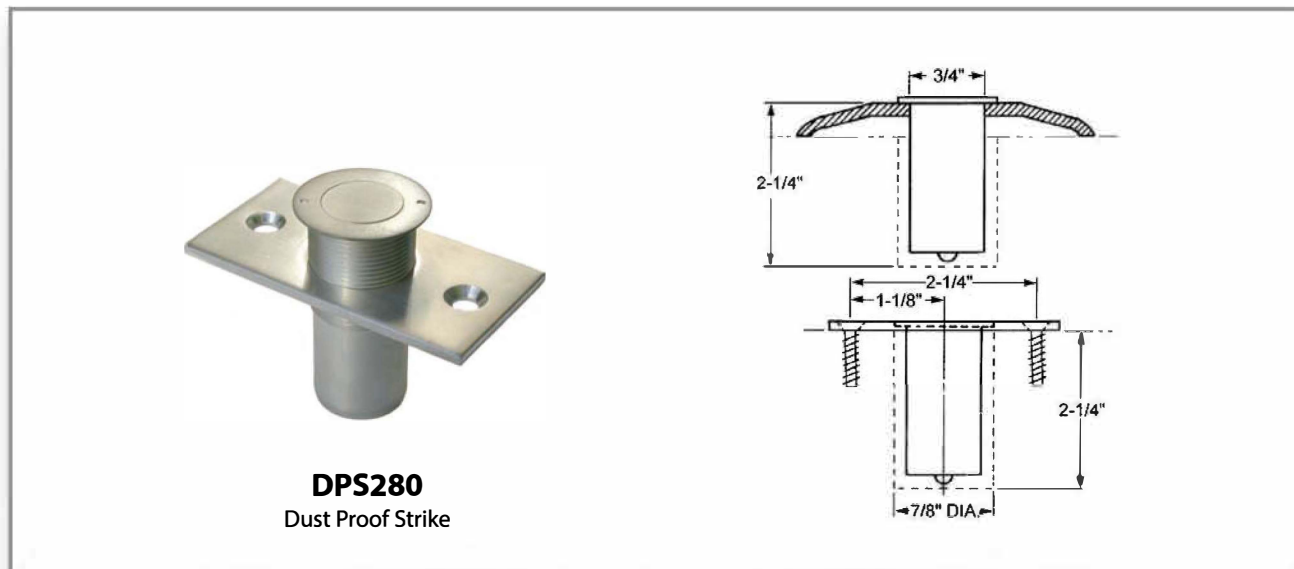


Dust Proof Strike

DPS280



DPS280
Dust Proof Strike

Features

- DPS280: Dust Proof Strike - ANSI L24011, L24021
- Material: Extruded Brass
- Spring loaded 3/4" plunger
- Both floor and threshold installation
- Face plate 3" x 1-1/2"
- Body diameter 15/16"
- Over all depth 2-1/4"
- Strike Screws #12 x 1-1/2"
- Plastic anchors
- UL fire rated for use up to 3 hours

Finishes

Stocking: US26D (626) Satin Chrome

Special Order:

- US3 (605) Bright Brass
- US4 (606) Satin Brass
- US10B (613) Oil Rubbed Bronze
- US26 (625) Bright Chrome

Warranty

3 Year Warranty

Specifications

Dust proof strike shall be INOX[®] model number DPS280 and made from extruded brass. All dust proof strikes shall be provided with 3/4" diameter spring loaded plunger that returns to the floor level when the flush bolt is retracted.

Code Compliance



- ANSI - A156.16 - L24011, L24021
- Conforms to UL 10C and UBC 7-2
- ANSI A117.1 and ADA for Barrier-Free accessibility
- C-UBC-California Amended Uniform Builders Code
- NFPA 80 - National Fire Protection Association
- NFPA 101- National Fire Protection - Life Safety