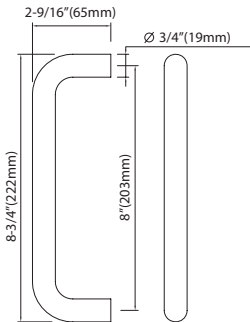




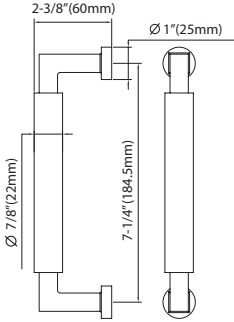
# ADA COMPLIANT SURFACE PULL OPTIONS



**PHIX31108**

**STANDARD FINISHES**

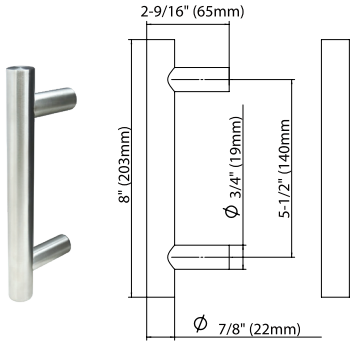
- 32D Satin Stainless Steel
- 32 Bright Stainless Steel
- 19G Graphite Black
- CeraMax Ceramic Coating: C19G Graphite Black, C19 Flat Black, CGY Stormy Grey, CDB Dark Bronze



**PHIX41714**

**STANDARD FINISHES**

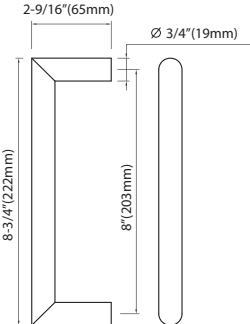
- 32D Satin Stainless Steel
- 32 Bright Stainless Steel
- 19G Graphite Black
- CeraMax Ceramic Coating: C19G Graphite Black, C19 Flat Black, CGY Stormy Grey, CDB Dark Bronze



**PHIX330.512.8**

**STANDARD FINISHES**

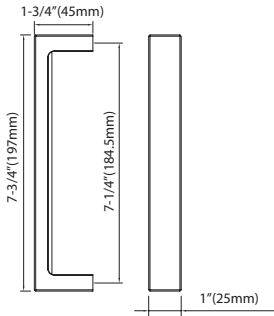
- 32D Satin Stainless Steel
- 32 Bright Stainless Steel
- 19G Graphite Black
- 26D Satin Chrome
- PVD4 Satin Brass
- CeraMax Ceramic Coating: C19G Graphite Black, C19 Flat Black, CGY Stormy Grey, CDB Dark Bronze



**PHIX30108**

**STANDARD FINISHES**

- 32D Satin Stainless Steel
- 32 Bright Stainless Steel
- 19G Graphite Black
- CeraMax Ceramic Coating: C19G Graphite Black, C19 Flat Black, CGY Stormy Grey, CDB Dark Bronze



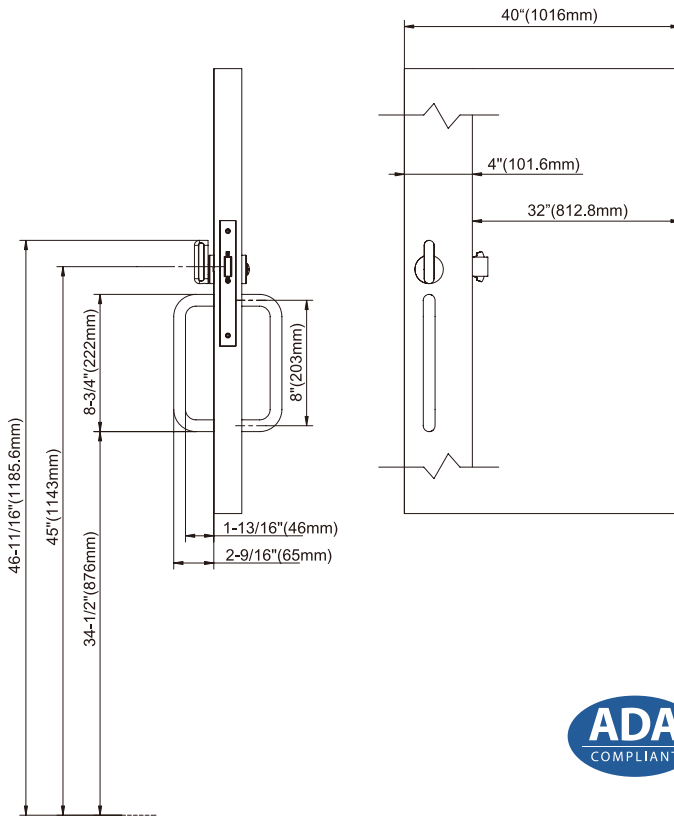
**PHIX45714**

**STANDARD FINISHES**

- 32D Satin Stainless Steel
- 32 Bright Stainless Steel
- 10B Oil Rubbed Bronze
- 19G Graphite Black
- CeraMax Ceramic Coating: C19G Graphite Black, C19 Flat Black, CGY Stormy Grey, CDB Dark Bronze

For additional finish options not listed, contact Sales Department for MOQ and lead times

# AMERICAN WITH DISABILITIES ACT COMPLIANCE



INOX ADA compliant pocket door hardware meets the "no grasp" and "no pinch" requirements of ADA Standard 4.13.9. The pocket door opening must have a clear width of 32" according to ADA Standard 404.2.3\*. When sliding doors are fully open, operating hardware shall be exposed and usable from both sides.

To accommodate these requirements, the total pocket door opening must be a MINIMUM of 40". The door must protrude a minimum of 4" from the jamb in order to install the ADA pocket door hardware on the door. The hardware must be installed 34" above the finished floor or ground, giving the hardware a height of 47" (the maximum is 48") from the finished floor, meeting ADA Standard 404.2.7.

**\*ADA Standard 404.2.3 is from the Department of Justice ADA Publication dated September 15, 2012. Unison Hardware, Inc. recommends the end user double check all State and Federal standards for your particular project.**