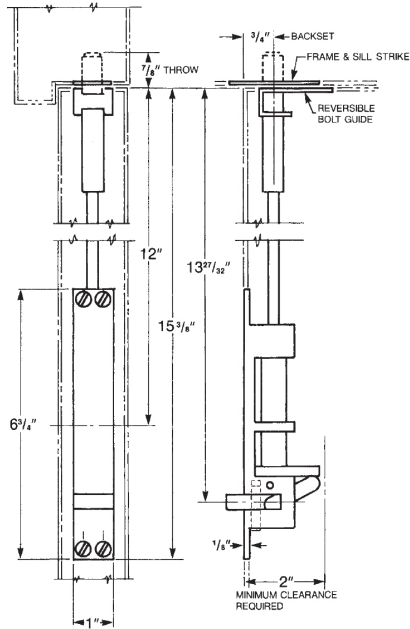


AUTOMATIC FLUSHBOLTS FOR METAL DOORS



FEATURES

INOX Flushbolt is projected into frame header or floor when door is closed, and automatically retracts when active door is opened.

The Steel body with Stainless Steel components ensures reliability with fully automatic, non-handed operation.

SPECIFICATIONS

Handing	Non-handed
Spec	Automatic 3/4" throw with 1" vertical adjustment 12" rod to fit standard ANSI preparation
Test	Listed up to 3 hours on hollow metal and steel-covered composite doors up to 8 feet
Spring	Spring-loaded lever to project or retract bolt Spring override in case of misalignment
Material	Steel body and Stainless Steel components
Bolt Housing Screws	#8 x 32 x 3/4" MS #8 x 1" SM
Strike Screws	#8 x 32 x 3/4" MS #8 x 1" SM
Bolt Guide Screws	#8 x 32 x 3/4" MS #8 x 1" SM

CODE COMPLIANCE



ANSI - A156.3 Type 25
ANSIA117.1 and ADA for barrier-free accessibility
C-UBC-California Amended Uniform Builders Code
NFPA80 - National Fire Protection Association
NFPA101 - National Fire Protection - Life Safety

FBA292M

Description

Auto Flush Bolt (Metal Door)

Part Number

FBA292M

Standard Finish

32D Satin Stainless Steel

For additional finish options not listed, contact Sales Department for MOQ and lead times