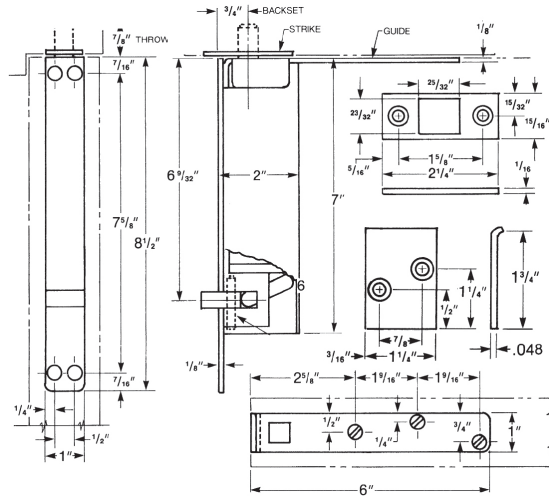


AUTOMATIC FLUSHBOLTS FOR WOOD DOORS



FBA291W



SPECIFICATIONS

Handing	Non-handed
Spec	Automatic 3/4" throw and 3/4" vertical adjustment
Test	Listed up to 1-1/2 hours on Composite Wood Doors up to 8 feet
Spring	Override in Case of Misalignment
Material	Steel Body and Stainless Steel Components
Bolt Housing Screws	#8 x 3/4" SM #8 -32 x 1/4" MS
Strike Screws	#8 x 3/4" SM
Bolt Guide Screws	#10 x 7/8" SM
Rub Plate Screws	#8 x 3/4" SM

FEATURES

INOX Flushbolt is projected into frame header or floor when door is closed, and automatically retracts when active door is opened.

The Steel body with Stainless Steel components ensures reliability with fully automatic, non-handed operation.

CODE COMPLIANCE



ANSI - A156.3 Type 25
 Conforms to UL 10C and UBC 7-2
 ANSI A117.1 and ADA for barrier-free accessibility
 C-UBC-California Amended Uniform Builders Code
 NFPA 80 - National Fire Protection Association
 NFPA 101 - National Fire Protection. - Life Safety

Description

Auto Flush Bolt (Wood Door)

Part Number

FBA291W

Standard Finish

32D Satin Stainless Steel

For additional finish options not listed, contact Sales Department for MOQ and lead times