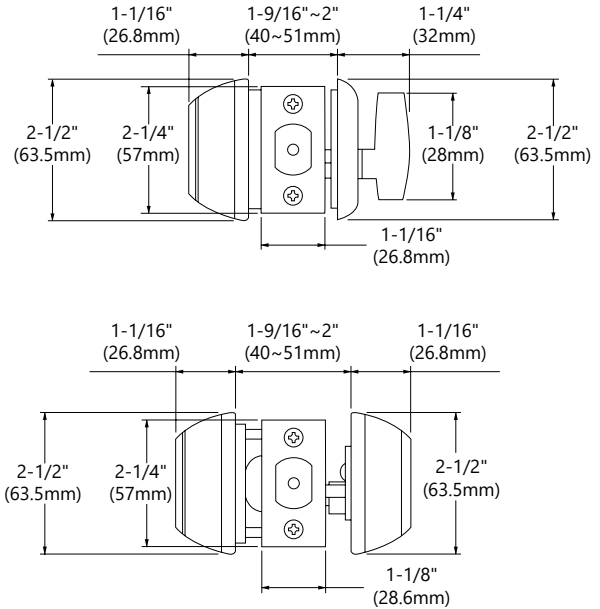


HEAVY DUTY COMMERCIAL DEADBOLT

CX Deadbolt Grade 1

SPECIFICATIONS

Door Thickness	1-9/16" (40mm) ~ 2" (51mm) doors standard
Backset	2-3/8" (60mm) or 2-3/4" (70mm)
Handing	Non-handed
Exposed Trim	2-1/2" (63.5mm) diameter solid brass, one-piece design exceeds BHMA/ANSI Grade 1 security against hammer and crowbar prying attacks
Faceplate	1-1/8" (28.6mm) x 2-1/4" (57mm) with square corners; Stainless Steel or brass
Dead Bolt	1" (25mm) throw deadbolt with saw-resistant hardened steel core
Strike	1-1/8" (28.6mm) x 2-3/4" (70mm) with steel reinforcement
Cylinder & Keys	6-pin anti-pick cylinder in Schlage C keyway keyed different with 2 brass keys per lock. Small Format Interchangeable Core (SFIC) available by specifying IC core; please order separately
Keying Options	Keyed Alike, Master keying, Grand Master Keying, and Construction Keying available by special order. Nickel silver keys available by special order



CODE COMPLIANCE



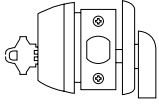
ANSI/BHMA A156.36 & A156.5 Grade 1
 UL Listed for UL10B and UL10C, up to 3 Hours
 UBC Standard 7-2 (1997) NFPA 252
 NFPA 80 National Fire Protection-Fire Door Assembly
 NFPA101 National Fire Protection-Life Safety
 ANSI/BHMA A156.18 Finishes
 ANSI A117.1 ADA Accessibility

Description	Part Number	Standard Finish
Single Cylinder Deadbolt	CX660	19G Graphite Black 10B Oil Rubbed Bronze 26D Satin Chrome
Double Cylinder Deadbolt	CX662	10B Oil Rubbed Bronze 26D Satin Chrome
Single Cylinder IC Core	CX660IC	26D Satin Chrome

For additional finish options and functions not listed, contact Sales Department for MOQ and lead times

FUNCTIONS

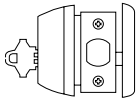
CX Deadbolt Grade 1



CX660 (ANSI: E1251)

Single Cylinder

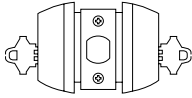
Deadbolt thrown or retracted by key outside or thumbturn inside
Bolt automatically deadlocks when fully thrown



CX661 (ANSI: E2161)

Cylinder Only x Blank Plate

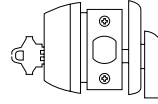
Deadbolt thrown or retracted by key outside
Blank plate with exposed screws inside



CX662 (ANSI: E2141)

Double Cylinder

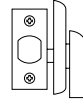
Deadbolt thrown or retracted by key from either side
Bolt automatically deadlocks when fully thrown



CX663 (ANSI: E2171)

Classroom Deadbolt

Deadbolt thrown by key outside only
Deadbolt retracted by key outside or thumbturn inside



CX680 (ANSI: E2191)

Door Bolt

Deadbolt operated by thumbturn only. No outside trim. Bore halfway through door for installation visible from one side of door only