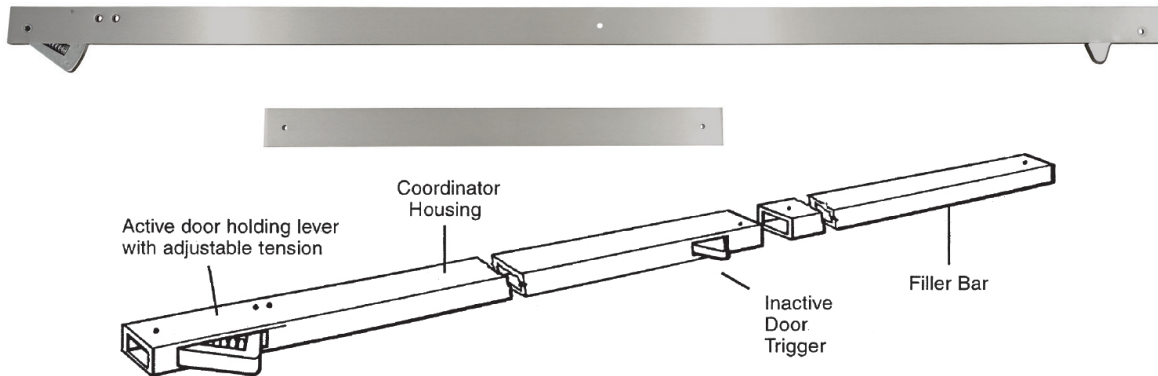


COORDINATOR



COR72 - Coordinator for 72" Opening

SPECIFICATIONS

Housing	Extruded aluminum housing
Spring	Adjustable tension override spring
Spec	Filler bar provided, allowing an even, unbroken line across the full width of the opening
Mounting screws	#12 x 24 x 1-1/4" MS

FEATURES

INOX Coordinators are designed specifically to control the closing sequence, holding an active door open until the inactive door closes, allowing the doors to latch.

CODE COMPLIANCE

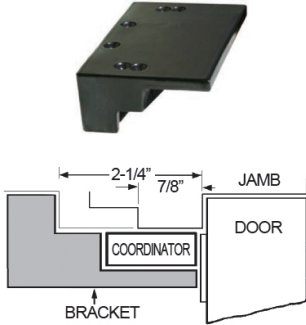


ANSI - A156.3 Type 21A
 Conforms to UL 10C and UBC 7-2
 ANSI A117.1 and ADA for Barrier-Free accessibility
 C-UBC-California Amended Uniform Builders Code
 NFPA 80 - National Fire Protection Association
 NFPA 101- National Fire Protection - Life Safety

Description	Part Number	Standard Finish
52" Coordinator with 20" Filler Bar	COR72	AL Aluminum Painted

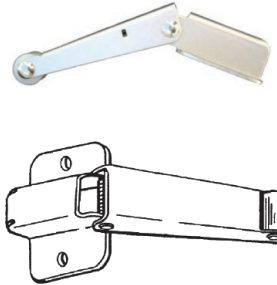
For additional finish options not listed, contact Sales Department for MOQ and lead times

COORDINATOR ACCESSORIES



COR-MB434M

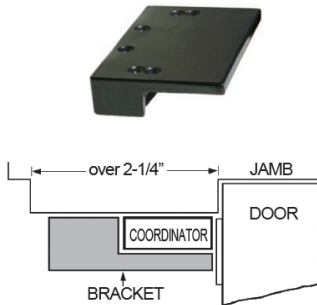
Mounting Bracket
Jamb Depth 4-3/4" Min.
5/8" Stop Height
For Stop Width 7/8" to 2-1/4"



COR-CB100

The Carry Bar is mounted on the inactive door. When the inactive door is opened, the Carry Bar opens the active door until it engages the Coordinator hold open mechanism.

Not used with automatic flush bolts.



COR-MB414N

Mounting Bracket
Jamb Depth 4-1/4" Min.
5/8" Stop Height
For Stop over 2-1/4"