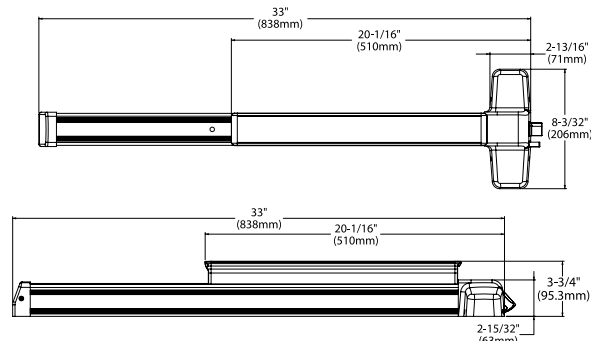
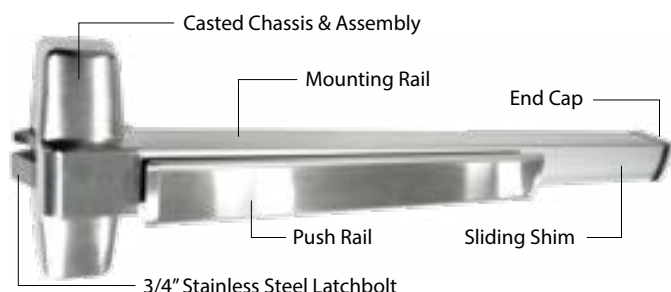


# RIM HEAVY DUTY EXIT DEVICE ED93/ED93F

## ANSI Grade 1



### SPECIFICATIONS

<b>Device Functions</b>	Trim available separately
<b>Device Lengths</b>	3': 2'2" to 3' (660mm to 914mm) 4': 2'9" to 4' (838mm to 1219mm)
<b>Strikes</b>	Dull Black Rim Strike (EDLSR-239)
<b>Dogging Feature</b>	Hex Key Dogging available on Non-Fire Rated devices only
<b>Dogging Options</b>	Cylinder Dogging kits available
<b>Electric Options</b>	Alarm Kit 36" and 48" available
<b>Miscellaneous</b>	GBK Glass Bead Kit
<b>Fasteners &amp; Sex Bolts</b>	Furnished with wood & machine screws. Thru-bolts standard on Fire-Rated devices
<b>Latch Bolt</b>	Stainless Steel 3/4" (19mm) throw
<b>Device Centerline from Finished Floor</b>	41" (1041mm)
<b>Center Case Dimensions</b>	8-3/32" x 2-13/16" x 2-15/32" (206mm x 71mm x 63mm)
<b>Mechanism Case Dimensions</b>	2-3/16" w x 1-15/16" (55.4mm x 49.1mm)
<b>Pushbar Projections</b>	Neutral 3-3/4" (95.3mm) Depressed 2-15/16" (74.5mm)

### APPLICATION AND FEATURES

INOX ED93 and ED93F Rim Exit Devices meet ANSI A156.3 Grade 1 standards, are UL listed for Panic and Fire Exit hardware, and will install on a standard 161 cutout. They are ideal for most single door applications or double doors using a mullion.

Non-handed with a universal design, ED93 and ED93F easily retrofit the Von Duprin 99 series installation when paired with INOX Exit Device trim.

### CODE COMPLIANCE



ANSI/BHMA A156.3 Grade 1 Exit Devices  
ANSI/BHMA A156.29 Exit Lock and Alarm  
UL Listed for ANSI/UL10B and UL10C, CAN/ULC S104 up to 3 Hours  
UBC Standard 7-2 (1997) NFPA 252  
ANSI/UL 305 and CAN/ULC-S132  
NFPA 80 National Fire Protection - Fire Door Assembly  
NFPA101 National Fire Protection - Life Safety  
ANSI/BHMA A156.18 Finishes  
ANSI A117.1 ADA Accessibility  
Electrification - ANSI/UL634, ANSI/UL294, ANSI/UL10C

Description	Part Number	Standard Finish
RIM Exit Device, 36"	<b>ED93-RIM36</b>	26D Satin Chrome
Fire Rated RIM Exit Device, 36"	<b>ED93F-RIM36</b>	19G Graphite Black DU Duro/Dark Bronze Painted
RIM Exit Device, 48"	<b>D93-RIM48</b>	26D Satin Chrome
Fire Rated RIM Exit Device, 48"	<b>ED93F-RIM48</b>	19G Graphite Black DU Duro/Dark Bronze Painted

For additional finish options not listed, contact Sales Department for MOQ and lead times

# SURFACE MOUNTED VERTICAL ROD ED93-SVR/ED93F-SVR

## ANSI Grade 1

### APPLICATION AND FEATURES



INOX ED93-SVR and ED93F-SVR Surface Mounted Vertical Rod Exit Devices meet ANSI A156.3 Grade 1 standards and are UL listed for Panic Exit Hardware. With a universal design, the Exit Devices will install on a standard 161 cutout and easily retrofits the Von Duprin 99 series when paired with INOX Exit Device trim.

INOX ED93-SVR and ED93F-SVR Exit Devices are perfect for most single and double door applications.

### CODE COMPLIANCE



ANSI/BHMA A156.3 Grade 1 Exit Devices  
ANSI/BHMA A156.29 Exit Lock and Alarm  
UL Listed for ANSI/UL10B and UL10C, CAN/ULC S104 up to 3 Hours  
UBC Standard 7-2 (1997) NFPA 252  
ANSI/UL 305 and CAN/ULC-S132  
NFPA 80 National Fire Protection - Fire Door Assembly  
NFPA101 National Fire Protection - Life Safety  
ANSI/BHMA A156.18 Finishes  
ANSI A117.1 ADA Accessibility  
Electrification - ANSI/UL634, ANSI/UL294, ANSI/UL10C

### SPECIFICATION

<b>Device Functions</b>	Trim available separately
<b>Device Lengths</b>	3': 2'2" to 3' (660mm to 914mm) 4': 2'9" to 4' (838mm to 1219mm)
<b>Strikes</b>	Top Dull Black (EDLSR-227) Bottom Dull Black (EDLSR-233 & EDLSR-221)
<b>Fire Rated Strikes</b>	Top Dull Black (EDLSR-245) Bottom Dull Black (EDLSR-233)
<b>Dogging Feature</b>	Hex Key Dogging available on Non-Fire Rated devices only
<b>Dogging Options</b>	Cylinder Dogging available on complete devices only, not as separate kits
<b>Electric Options</b>	Alarm Kit 36" and 48" available
<b>Miscellaneous</b>	GBK Glass Bead Kit
<b>Fasteners &amp; Sex Bolts</b>	Furnished with wood & machine screws. Thru-bolts standard on Fire Rated devices
<b>Device Centerline from Finished Floor</b>	41" (1041mm)
<b>Center Case Dimensions</b>	8-3/32" x 2-13/16" x 2-15/32" (206mm x 71mm x 63mm)
<b>Mechanism Case Dimensions</b>	2-3/16" w x 1-15/16" (55.4mm x 49.1mm) Top & Bottom Latch Case Standard: 3-15/16" x 2-1/8" x 1-3/8" (100mm x 54mm x 35mm) Fire Rated: 3-15/16" x 2-11/16" x 2-1/16" (100mm x 68mm x 52mm)
<b>Vertical Rods</b>	36": Top Rod - 43-1/4" (1099mm) Bottom Rod - 37-3/4" (959mm) 48": Top Rod - 56-1/16" (1424mm) Bottom Rod - 37-3/4" (959mm)
<b>Pushbar Projections</b>	Neutral 3-3/4" (95.3mm) Depressed 2-15/16" (74.5mm)

### Description

Surface Vertical Rod, 36" x 84", Fire Rated

### Part Number

**ED93F-SVR3648**

### Standard Finish

26D Satin Chrome  
19G Graphite Black  
DU Duro/Dark Bronze Painted

For additional finish options not listed, contact Sales Department for MOQ and lead times

# LESS BOTTOM ROD ED93-LBR/ED93F-LBR

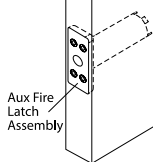
## ANSI Grade 1

### APPLICATION AND FEATURES

INOX ED93-LBR and ED93F-LBR Less Bottom Rod Exit Devices use a spring-loaded auxiliary latch bolt in the lower door edge, providing free access for wheelchairs and stretchers.

Meeting ANSI A156.3 Grade 1 standards and UL listed for Panic Exit Hardware, the Exit Devices are suitable for all double doors and install easily with a standard 161 cutout. Their non-handed, universal design allows them to retrofit the Von Duprin 99 series installation when paired with INOX Exit Device trim.

### CODE COMPLIANCE



ANSI/BHMA A156.3 Grade 1 Exit Devices  
ANSI/BHMA A156.29 Exit Lock and Alarm  
UL Listed for ANSI/UL10B and UL10C, CAN/ULC S104 up to 3 Hours  
UBC Standard 7-2 (1997) NFPA 252  
ANSI/UL 305 and CAN/ULC-S132  
NFPA 80 National Fire Protection - Fire Door Assembly  
NFPA101 National Fire Protection - Life Safety  
ANSI/BHMA A156.18 Finishes  
ANSI A117.1 ADA Accessibility  
Electrification - ANSI/UL634, ANSI/UL294, ANSI/UL10C

### SPECIFICATION

<b>Device Functions</b>	Trim available separately
<b>Device Lengths</b>	3': 2'2" to 3' (660mm to 914mm) 4': 2'9" to 4' (838mm to 1219mm)
<b>Strikes</b>	Top Dull Black Strike (EDLSR-245)
<b>Dogging Feature</b>	Hex Key Dogging available on Non-Fire Rated devices only
<b>Dogging Options</b>	Cylinder Dogging kits available
<b>Electric Options</b>	Alarm Kit 36" and 48" available
<b>Miscellaneous</b>	GBK Glass Bead Kit
<b>Fasteners &amp; Sex Bolts</b>	Furnished with wood & machine screws. Thru-bolts standard on Fire Rated devices
<b>Latch Bolt</b>	Stainless Steel 3/4" (19mm) throw
<b>Device Centerline from Finished Floor</b>	41" (1041mm)
<b>Center Case Dimensions</b>	8-3/32" x 2-13/16" x 2-15/32" (206mm x 71mm x 63mm)
<b>Mechanism Case Dimensions</b>	2-3/16" w x 1-15/16" (55.4mm x 49.1mm) Top & Bottom Latch Case Standard Panic: 3-15/16" x 2-1/8" x 1-3/8" (100mm x 52mm x 42mm) Fire Rated: 3-15/16" x 2-11/16" x 2-1/16" (100mm x 68mm x 52mm)
<b>Vertical Rods</b>	36": Top Rod - 43-1/4" (1099mm) 48": Top Rod - 56-1/16" (1424mm)
<b>Pushbar Projections</b>	Neutral 3-3/4" (95.3mm) Depressed 2-15/16" (74.5mm)

### Description

Less Bottom Rod, 36" x 84", Fire Rated

### Part Number

**ED93F-LBR3648**

### Standard Finish

32D Satin Stainless Steel

For additional finish options not listed, contact Sales Department for MOQ and lead times

# HEAVY DUTY MORTISE DEVICE ED93-MED/ED93F-MED

## ANSI Grade 1



### SPECIFICATIONS

<b>Device Functions</b>	MED for Exit Only MED08 for Entry MED09 for Storeroom MED14 for Passage
<b>Device Lengths</b>	3': 2'2" to 3' (660mm to 914mm) 4': 2'9" to 4' (838mm to 1219mm)
<b>Strikes</b>	Standard ANSI Strike
<b>Dogging Options</b>	Hex Key Dogging available on Non-Fire Rated Devices Only
<b>Electric Options</b>	Alarm Kit 36" and 48" available
<b>Miscellaneous</b>	GBK Glass Bead Kit
<b>Fasteners &amp; Sex Bolts</b>	Furnished with wood & machine screws
<b>Mortise Lock</b>	Grade 1 for 1-3/4" thick doors, reversible, 2-3/4" backset
<b>Device Centerline from Finished Floor</b>	41" (1041mm)
<b>Center Case Dimensions</b>	8-3/32" x 2-13/16" x 2-15/32" (206mm x 71mm x 63mm)
<b>Mechanism Case Dimensions</b>	2-3/16" w x 1-15/16" (55.4mm x 49.1mm)
<b>Pushbar Projections</b>	Neutral: 3-3/4" (95.3mm) Depressed: 2-15/16" (74.5mm)

### APPLICATION AND FEATURES

INOX ED93-MED and ED93F-MED Mortise Exit Devices are designed to provide superior, long-lasting service for most single door applications or on double doors when open-backed strikes are used.

The Mortise Exit Devices are UL listed for Fire Exit Hardware and meet ANSI A156.3 Grade 1 standards.

Installed on a standard 86 pocket prep, the Mortise Exit Devices are non-handed with a universal design that allows them to easily retrofit the Von Duprin 99 series installation when paired with INOX Exit Device trim.

### CODE COMPLIANCE



ANSI/BHMA A156.3 Grade 1 Exit Devices  
ANSI/BHMA A156.29 Exit Lock and Alarm  
UL Listed for ANSI/UL10B and UL10C, CAN/ULC S104 up to 3 Hours  
UBC Standard 7-2 (1997) NFPA 252  
ANSI/UL 305 and CAN/ULC-S132  
NFPA 80 National Fire Protection - Fire Door Assembly  
NFPA101 National Fire Protection - Life Safety  
ANSI/BHMA A156.18 Finishes  
ANSI A117.1 ADA Accessibility  
Electrification - ANSI/UL634, ANSI/UL294, ANSI/UL10C

Description	Part Number	Standard Finish
Entry Mortise Exit Device, 36", Fire Rated	<b>ED93F-MED0836</b>	32D Satin Stainless Steel

For additional finish options not listed, contact Sales Department for MOQ and lead times

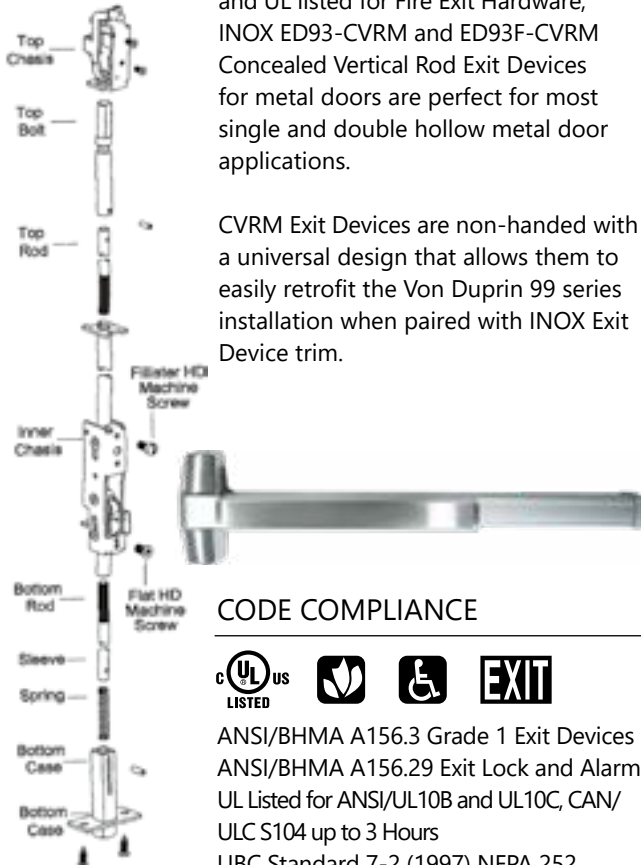
# CONCEALED VERTICAL ROD ED93-CVRM/ED93F-CVRM

## ANSI Grade 1

### APPLICATION AND FEATURES

Meeting ANSI A156.3 Grade 1 standards and UL listed for Fire Exit Hardware, INOX ED93-CVRM and ED93F-CVRM Concealed Vertical Rod Exit Devices for metal doors are perfect for most single and double hollow metal door applications.

CVRM Exit Devices are non-handed with a universal design that allows them to easily retrofit the Von Duprin 99 series installation when paired with INOX Exit Device trim.



### CODE COMPLIANCE



ANSI/BHMA A156.3 Grade 1 Exit Devices  
ANSI/BHMA A156.29 Exit Lock and Alarm  
UL Listed for ANSI/UL10B and UL10C, CAN/  
ULC S104 up to 3 Hours  
UBC Standard 7-2 (1997) NFPA 252  
ANSI/UL 305 and CAN/ULC-S132  
NFPA 80 National Fire Protection - Fire  
Door Assembly  
NFPA101 National Fire Protection - Life  
Safety  
ANSI/BHMA A156.18 Finishes  
ANSI A117.1 ADA Accessibility  
Electrification - ANSI/UL634, ANSI/UL294,  
ANSI/UL10C

### SPECIFICATION

<b>Device Functions</b>	Trim available separately
<b>Device Lengths</b>	3': 2'2" to 3' (660mm to 914mm) 4': 2'9" to 4' (838mm to 1219mm)
<b>Strikes</b>	Top Dull Black (EDLSR-260) Bottom Dull Black (EDLSR-265)
<b>Dogging Options</b>	Hex Key Dogging available on Non-Fire Rated Devices Only
<b>Electric Option</b>	Alarm Kit 36" and 48" available
<b>Miscellaneous</b>	GBK Glass Bead Kit
<b>Fasteners &amp; Sex Bolts</b>	Furnished with wood & machine screws
<b>Latch Bolt</b>	Stainless Steel 3/4" (19mm) throw
<b>Device Centerline From Finished Floor</b>	41" (1041mm)
<b>Center Case Dimensions</b>	8-3/32" x 2-13/16" x 2-15/32" (206mm x 71mm x 63mm)
<b>Mechanism Case Dimensions</b>	2-3/16" w x 1-15/16" (55.4mm x 49.1mm)
<b>Top &amp; Bottom Latch Case</b>	Standard Panic: 3-15/16" x 2-1/8" x 1-3/8" (100mm x 52mm x 42mm) Fire-Rated: 3-15/16" x 2-11/16" x 2-1/16" (100mm x 68mm x 52mm)
<b>Vertical Rods</b>	36": Top Rod: 43-1/4" (1099mm) Bottom Rod: 37-3/4" (959mm) 48" Top Rod: 56-1/16" (1424mm) Bottom Rod: 37-3/4" (959mm)
<b>Pushbar Projections</b>	Neutral: 3-3/4" (95.3mm) Depressed: 2-15/16" (74.5mm)

### Description

Concealed Vertical Rod for Metal Doors, 36", Fire Rated

### Part Number

**ED93F-CVRM3684**

### Standard Finish

32D Satin Stainless Steel

*For additional finish options not listed, contact Sales Department for MOQ and lead times*

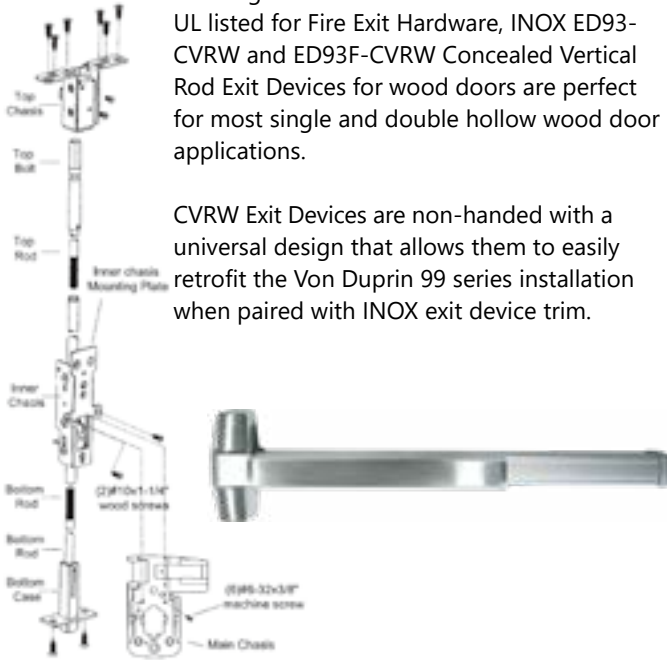
# CONCEALED VERTICAL ROD ED93-CVRW/ED93F-CVRW

## ANSI Grade 1

### APPLICATION AND FEATURES

Meeting ANSI A156.3 Grade 1 standards and UL listed for Fire Exit Hardware, INOX ED93-CVRW and ED93F-CVRW Concealed Vertical Rod Exit Devices for wood doors are perfect for most single and double hollow wood door applications.

CVRW Exit Devices are non-handed with a universal design that allows them to easily retrofit the Von Duprin 99 series installation when paired with INOX exit device trim.



### SPECIFICATION

<b>Device Functions</b>	Trims available separately
<b>Device Lengths</b>	3': 2'2" to 3' (660mm to 914mm) 4': 2'9" to 4' (838mm to 1219mm)
<b>Strikes</b>	Top Dull Black (EDLSR-260) Bottom Dull Black (EDLSR-265)
<b>Dogging Options</b>	Hex Key Dogging available on Non-Fire Rated Devices Only
<b>Electric Options</b>	Alarm Kit 36" and 48" available
<b>Miscellaneous</b>	GBK Glass Bead Kit
<b>Fasteners &amp; Sex Bolts</b>	Furnished with wood & machine screws
<b>Latch Bolt</b>	Stainless Steel 3/4" (19mm) throw
<b>Device Centerline from Finished Floor</b>	41" (1041mm)
<b>Center Case Dimensions</b>	8-3/32" x 2-13/16" x 2-15/32" (206mm x 71mm x 63mm)
<b>Mechanism Case Dimensions</b>	2-3/16" w x 1-15/16" (55.4mm x 49.1mm)
<b>Top &amp; Bottom Latch Case</b>	Standard Panic: 3-15/16" x 2-1/8" x 1-3/8" (100mm x 54mm x 35mm) Fire-Rated: 3-15/16" x 2-11/16" x 2-1/16" (100mm x 68mm x 52mm)
<b>Vertical Rods</b>	36": Top Rod: 43-1/4" (1099mm) Bottom Rod: 37-3/4" (959mm) 48": Top Rod: 56-1/16" (1424mm) Bottom Rod: 37-3/4" (959mm)
<b>Pushbar Projections</b>	Neutral: 3-3/4" (95.3mm) Depressed: 2-15/16" (74.5mm)

### CODE COMPLIANCE



- ANSI/BHMA A156.3 Grade 1 Exit Devices
- ANSI/BHMA A156.29 Exit Lock and Alarm
- UL Listed for ANSI/UL10B and UL10C, CAN/ULC S104 up to 3 Hours
- UBC Standard 7-2 (1997) NFPA 252
- ANSI/UL 305 and CAN/ULC-S132
- NFPA 80 National Fire Protection - Fire Door Assembly
- NFPA101 National Fire Protection - Life Safety
- ANSI/BHMA A156.18 Finishes
- ANSI A117.1 ADA Accessibility
- Electrification - ANSI/UL634, ANSI/UL294, ANSI/UL10C

Description	Part Number	Standard Finish
Concealed Vertical Rod for Wood Doors, 36" , Fire Rated	<b>ED93F-CVRW3684</b>	32D Satin Stainless Steel

For additional finish options not listed, contact Sales Department for MOQ and lead times