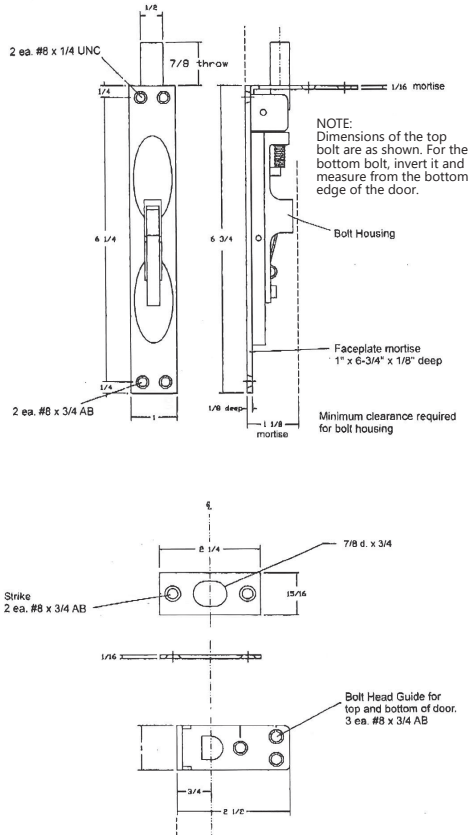


MANUAL FLUSHBOLT FOR WOOD DOORS



FB196W



SPECIFICATIONS

Handing	Non-handed
Spec	5/8" throw with 7/8" vertical Adjustment Spring-loaded lever to project or retract bolt Forged brass construction
Test	Listed up to 1-1/2 hours on Wood and Composite Doors up to 8 feet
Bolt Housing Screws	#8 x 32 x 1/2" MS #8 x 1" SM
Strike Screws	#8 x 32 x 1/2" MS #8 x 1" SM
Bolt Guide Screws	#8 x 32 x 1/2" MS #8 x 1" SM

CODE COMPLIANCE



FED.SPEC. - 1049
ANSI A156.16 - L14261
NFPA80 - National Fire Protection Association

FEATURES

INOX Flush Bolts feature rugged forged brass construction for dependability and strength.

The powerful, easy to use spring-loaded lever projects or retracts the bolt.

Description

Manual Flush Bolt (Wood Door) ANSI:L14251

Part Number

FB196W

Standard Finish

26D Satin Chrome
10B Oil Rubbed Bronze
3 Bright Brass

For additional finish options not listed, contact Sales Department for MOQ and lead times