

## ENTRANCE HANDLESETS

### LEVER DESIGNS AND FINISHES (FOR INSIDE HANDLESET)



**101 Cologne**  
(32, 32D)



**103 Oslo**  
(32, 32D)



**104 Brussels**  
(32, 32D)



**105 Frankfurt**  
(32, 32D, 19G, 10B)



**106 Copenhagen**  
(32, 32D, 10B)



**107 Stockholm**  
(32, 32D)



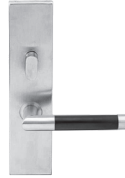
**108 Vienna**  
(SP\*, PVD4)



**210 Air-stream**  
(32, 32D, 10B)



**211 Breeze**  
(32, 32D, 10B)



**213 Cabernet**  
(32, 32D)



**214 Champagne**  
(32, 32D, 10B)



**217 Horizon**  
(32, 32D)



**221 Aurora**  
(32, 32D, SP, 19G, 10B)



**223 Phoenix**  
(32D, SP\*)



**225 Waterfall**  
(32, 32D)



**226 Summer**  
(32, 32D)



**227 Stratus**  
(32, 32D)



**243 Sunrise**  
(32, 32D, 10B, 19G, PVD4)



**251 Sequoia**  
(32, 32D, SP\*)



**276 Plaza**  
(32, 32D, 19G, PVD4)



**300 Napa**  
(32, 32D, 19G)



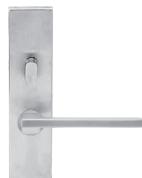
**311 Crest**  
(32, 32D, 10B)



**318 Café**  
(32, 32D, 19G, 10B)



**319 Hampton**  
(32, 32D, 19G)



**320 Empire**  
(32, 32D, 19G)



**344 Ecco**  
(32, 32D)



**345 Tokyo**  
(32, 32D, 19G, 10B)



**351 Toronto**  
(32, 32D)

#### Lever Designs with "Return To Door" (RTD)

Compliant with California Fire Code



**379 Arctic**  
(32, 32D)



**380 Polaris**  
(32, 32D)



**102 Munich**  
(32, 32D)



**109 Stuttgart**  
(32, 32D)



**244 Twilight**  
(32, 32D)



**321 Valencia**  
(32, 32D, 19G)



**346 Osaka**  
(32, 32D)

\*SP is a two-tone stainless steel finish: satin (32D) finish on lever grip, polished (32) finish on lever neck and roses.

# MORTISE HANDLESETS



## SPECIFICATIONS

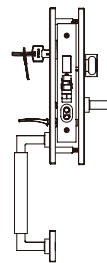
<b>Door Thickness</b>	1-3/4" (44mm) standard Thick Door Kits available
<b>Backset</b>	MT620: 2-1/2" (63.5mm) Standard MT720: 2-3/4" (70mm) Optional
<b>Lockcase</b>	Field reversible without disassembly
<b>Handing</b>	Handing specification required
<b>Center Distance</b>	Lever to Cylinder 3-5/8" (92mm) Lever to Thumbturn 2-7/16" (62mm) Keying service available
<b>Cylinder &amp; Keys</b>	6-pin Schlage C Keyway Cylinder with 2 keys
<b>Standard Cylinder Size for 1-3/4" Door</b>	NY/MH Trim: 1-1/4" Cylinder ME/BW Trim: 1-1/8" Cylinder

## STANDARD FINISHES

- 32D Satin Stainless Steel
- 32 Bright Stainless Steel
- 10B Oil Rubbed Bronze (Limited Styles available)
- 19G Graphite Black (Limited Styles available)
- PVD4 Satin Brass (Limited Styles available)
- SP Split Finish (Limited Styles available)
- CeraMax Ceramic Coating: C19G Graphite Black, C19 Flat Black, CGY Stormy Grey, CDB Dark Bronze

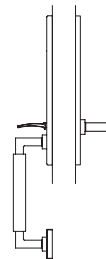
*For additional finish options not listed, contact Sales Department for MOQ and lead times*

## FUNCTION



### Entrance (MT620/MT720)

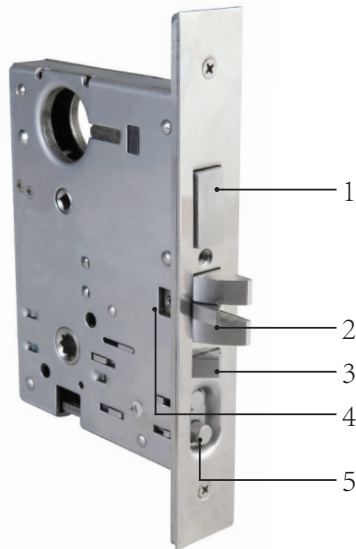
Key from outside locks and unlocks deadbolt.  
Thumb-piece from outside retracts latchbolt. Thumbturn from inside locks and unlocks deadbolt.  
Inside lever is always unlocked allowing emergency egress.  
Toggle always in locked position unless set to unlock manually.  
Locking deadbolt by thumbturn or key resets toggle to locked position.



### Entry Dummy (MTEDP)

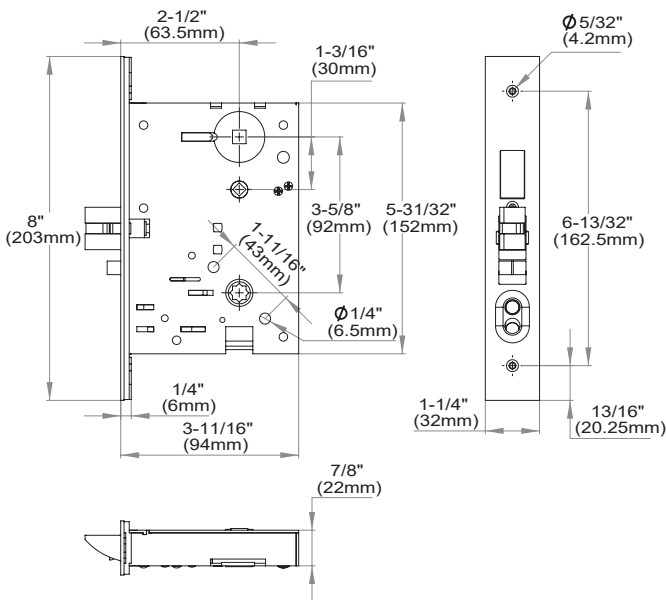
NY/MH/ME/BW trim with dummy cylinder outside, dummy plate escutcheons inside.

# MORTISE LOCKCASE & DIMENSIONS

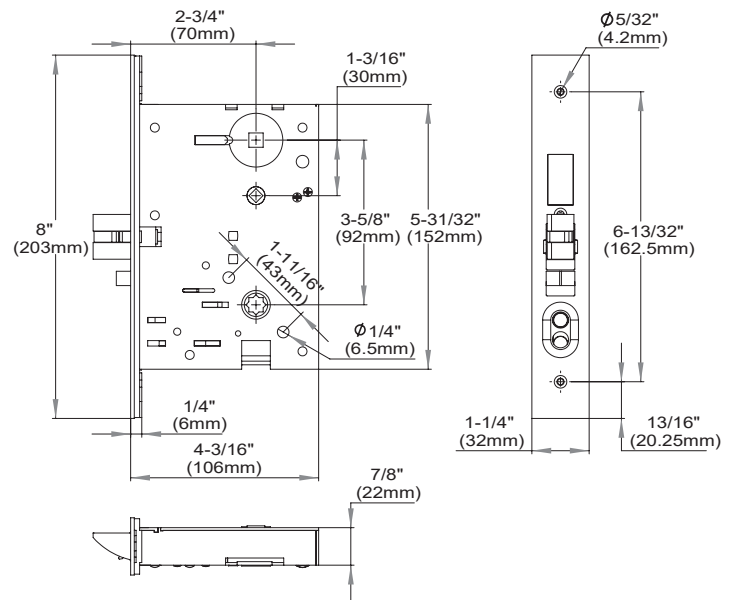


MT Cam  
CAM04-MT

1. 1" throw, heavy duty stainless steel deadbolt
2. Guarded, two-piece stainless steel 3/4" latch bolt projection with mechanical anti-friction tongue
3. Auxiliary latch deadlocks latch bolt when door is closed, providing extra security
4. Field reversible: latch direction can be easily reversed without opening lock case
5. When toggle switch is locked, outside lever is inoperative; when toggle switch is unlocked, outside lever is operative



MT620 Mortise Lock Dimensions

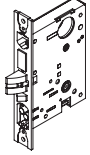


MT720 Mortise Lock Dimensions

## ENTRANCE HANDLESETS




### MT MORTISE LOCKCASE

For all Mortise Handlesets only  
w/faceplate, strike and dustbox (less cylinder)

Illustration	Backset	Function	Item Code
	2-1/2"	Entry w/ Toggle	<b>MT620- 32D/32/10B</b>
	2-3/4"	Entry w/ Toggle	<b>MT720- 32D/32/10B</b>

\* MT Lock built-in toggle buttons are set to be locked by default, which deactivates the outside thumb-piece. This allows door to be kept locked even without using key or thumbturn to engage deadbolt. Toggle can be manually set to unlocked position, in which case the outside thumb-piece will engage the latch bolt and act as a passage latch until the toggle is reset to locked position, either manually or set automatically by using thumbturn or key.

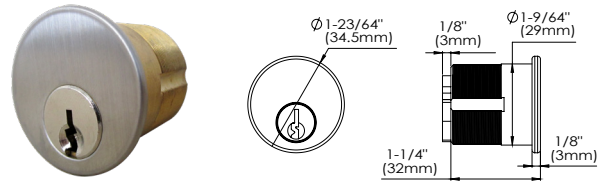
### MT MORTISE FACEPLATE AND STRIKE

Illustration	Function	Item Code
	MT Mortise Faceplate	<b>MT-FSP20- 32D/32/10B</b>
	MT Mortise Strike	<b>LSR-MT01- 32D/32/10B</b>
	MT Mortise Strike Dust Box	<b>LSR-DBX-MT</b>


### KEYING SERVICES

Description	Item No.
Service: Key Cut including Key Blank	<b>SV-KYCT</b>
Service: Keyed Alike (KA)	<b>SV-KA</b>
Service: Keyed to Specific Code	<b>SV-KS</b>
Service: Master Keying	<b>SV-MK</b>
Service: Grand Master Keying with 2 or more Master groups.	<b>SV-GMK</b>
Service: Construction Master Keying Service	<b>SV-CMK</b>

### MORTISE CYLINDERS AND KEYS



Schlage C Keyway, 6 Pin, with Clover Cam, 2 Keys. Standard Keyed Differ (KD). Other Keying Service available.  
Standard Cylinder Size for 1-3/4" Door:  
NY and MH Trim: 1-1/4" Mortise Cylinder  
ME and BW Trim: 1-1/8" Mortise Cylinder  
Please refer to Price Book for details of Thick Door Kits (TDK)

Product Illustration	Description	Item No.
	1-1/8" Mortise cylinder with MT cam	<b>CMB1186 CAM04-MT</b>
	1-1/4" Mortise cylinder with MT cam	<b>CMB1146 CAM04-MT</b>
	1-3/8" Mortise cylinder with MT cam	<b>CMB1386 CAM04-MT</b>
	1-1/2" Mortise cylinder with MT cam	<b>CMB1126 CAM04-MT</b>
	1-5/8" Mortise cylinder with MT cam	<b>CMB1586 CAM04-MT</b>
	1-3/4" Mortise cylinder with MT cam	<b>CMB1346 CAM04-MT</b>
	Key blanks Schlage C Keyway 6 pin for Mortise Cylinder	<b>LSK01-6SC- NP</b>