



PD97ES

Electrified Mortise Locks with Auto-locking & Monitoring for Sliding Doors

- Motor Driven 12/24V electrified lock for sliding doors
- Built-in DPS & DBM sensors, enabling auto-latching and auto-locking functions
- Supports touchless opening solutions when paired with an auto-operator
- Fail Secure lock remains mechanically locked during power failure, ensuring security
- Designed for easy integration with access control and monitoring systems

SPECIFICATIONS

| | |
|----------------------------------|--|
| Door Thickness | 1-3/4" (45mm) Standard |
| | 1-3/8" (35mm) Thin Door Kit available for XGT only |
| | 2" to 2-1/4" (50mm to 57mm) Thick Door Kit available |
| Backset | 2-3/4" (70mm) 2-1/2" (63.5mm) |
| Lever Spindle | 8 x 8mm square |
| Thumbturn Spindle | 5 x 5mm square |
| Center to Center Distance | Lever to Cylinder: 3-7/8" (98mm) |
| | Lever to Thumbturn: 2-11/16" (68mm) |
| Handing | Specify handing when ordering |
| Cylinder | Schlage C keyway 6 pin, 1-1/4" mortise cylinder with 2 keys (standard). Optional SFIC and LFIC housing and cores available |
| CAM | CAM01-SCL Clover Cam |
| Material | Trim: Stainless Steel |
| | Lockcase: Heavy gauge Steel |
| | Bolt: Brass and Stainless Steel |
| | Faceplate/Strike: Stainless Steel |
| | Cylinder: Solid Brass |

ELECTRICAL SPECIFICATIONS

Maximum current for individual parts when in operation at 12/24V:

| | |
|------------------|--------|
| Lock Body | 560 mA |
| Strike | 40 mA |
| Keypad | 90mA |
| Handwave | 30 mA |
| Relay | 30 mA |
| Monitor | 30 mA |



CODE COMPLIANCE

- UL1034 Burglary-Resistant Electric Locking Mechanisms
- UL294 Standard for Access Control System Units
- ANSI/BHMA A156.25 Electrified Mortise Locks
- ANSI/BHMA A156.18 Finishes
- ANSI A117.1 ADA Accessibility

FINISH

- Satin Stainless Steel -32D, Bright Stainless Steel -32
- CeraMax Ceramic Coating - C19G Graphite Black, C19 Flat Black, CGY Stormy Grey, CDB Dark Bronze
- Please see Finish Solutions on INOX Website for special order finishes

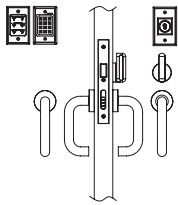
PD97ES ELECTRIFIED SLIDING DOOR MORTISE LOCK

FUNCTION

PD97ES Functions are **Fail Secure**. Deadbolt auto-locks once door is closed; during power failure, deadbolt remains mechanically locked from outside.

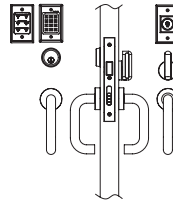
PD97ES includes the following monitoring sensors:

- REX = Request-to-Exit Monitoring Switch
- DBM = Deadbolt Monitoring Switch
- DPS = Door Position Switch



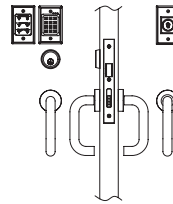
Patio/Exit: PD97ES60

- Deadbolt projected/retracted by built-in stepper motor when energized by 12/24V DC power transferred through contacts on lock and strike
- Thumbturn inside throws/retracts deadbolt to lock/unlock door
- Outside lever is rigid at all times
- Inside lever always unlocks deadbolt for emergency egress



Entry/Office: PD97ES53

- Latchbolt projected/retracted by built-in stepper motor when energized by 12/24V DC power transferred through contacts on lock and strike
- Key from outside to throw/retract latchbolt to lock/unlock door
- Thumbturn inside throws/retracts latchbolt to lock/unlock door
- Outside lever is rigid at all times
- Inside lever always unlocks latchbolt for emergency egress



Storeroom: PD97ES80

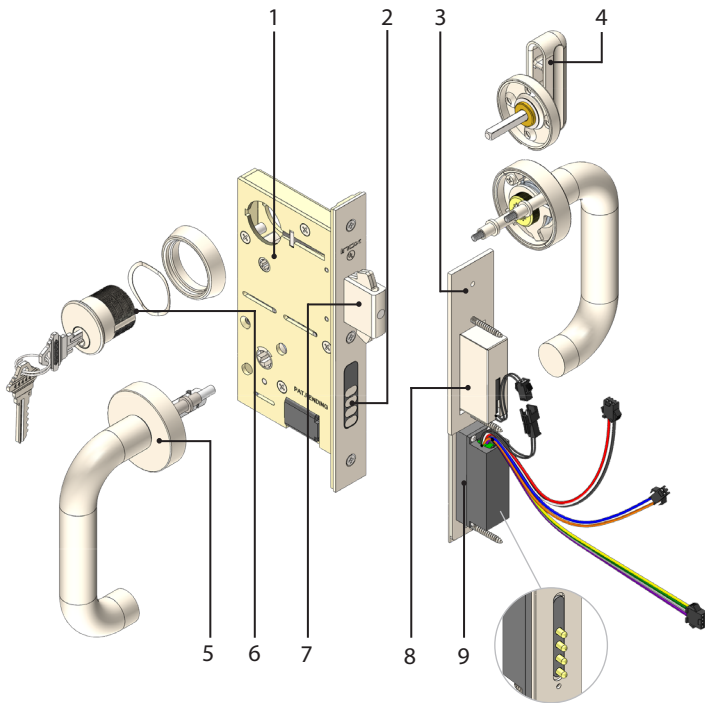
- Latchbolt projected/retracted by built-in stepper motor when energized by 12/24V DC power transferred through contacts on lock and strike
- Key from outside to throw/retract latchbolt to lock/unlock door
- Door cannot be locked from inside
- Outside lever is rigid at all times
- Inside lever always unlocks latchbolt for emergency egress

FUNCTION TABLE

| | Entry / Office | Storeroom | Patio/Exit |
|-------------------------|----------------|-----------|------------|
| Outside Lever | × | × | × |
| Inside Lever | × | × | × |
| Lockcase | × | × | × |
| Cylinder | × | × | |
| Inside Thumbturn | × | | × |
| Optional Accessories | | | |
| Power Supply | × | × | × |
| Monitoring Panel | × | × | × |
| Keypad w/Built-in Relay | × | × | × |
| Push Button | × | × | × |
| Handwave | × | × | × |

PD97ES ELECTRIFIED SLIDING DOOR MORTISE LOCK

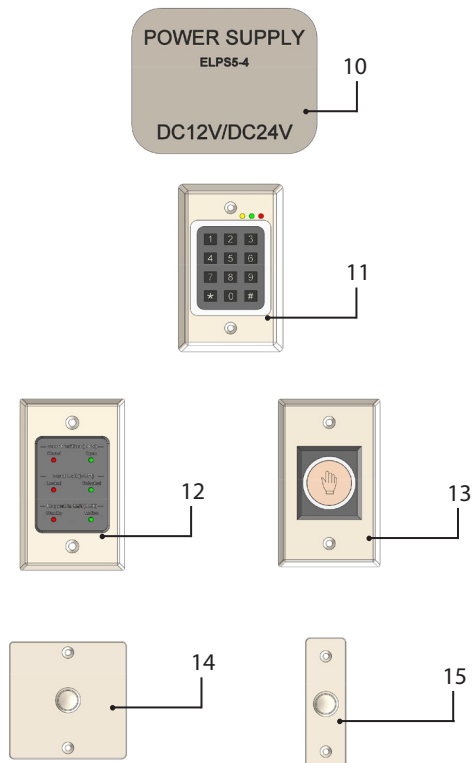
COMPONENTS



Description

- | Number | Description |
|--------|---|
| 1 | PD97ES lockcase and faceplate; 2-3/4" backset PD97ES-234 or 2-1/2" backset PD97ES-212 |
| 2 | Faceplate contacts; Auto-locking, DPS (Door Positioning Switches), Power Transfer |
| 3 | Strike with reinforcement plate for door frame |
| 4 | TT07-ADA ADA Compliant thumbturn |
| 5 | Heavy-duty Stainless Steel cast rose with choice of X Series lever design |
| 6 | Schlage C keyway, 6 pin 1-1/4" mortise cylinder CMB1146 |
| 7 | 1" (25.4mm) heavy-duty brass bolt throw with self-retracting non-marring hooks |
| 8 | Dust box with DBM (Deadbolt Monitoring Sensor) |
| 9 | Power Transfer Strike with spring-loaded prongs PD97ES-ADJ-STRK 6-9/16"x1"x3/16" |

Optional INOX Access Control Accessories

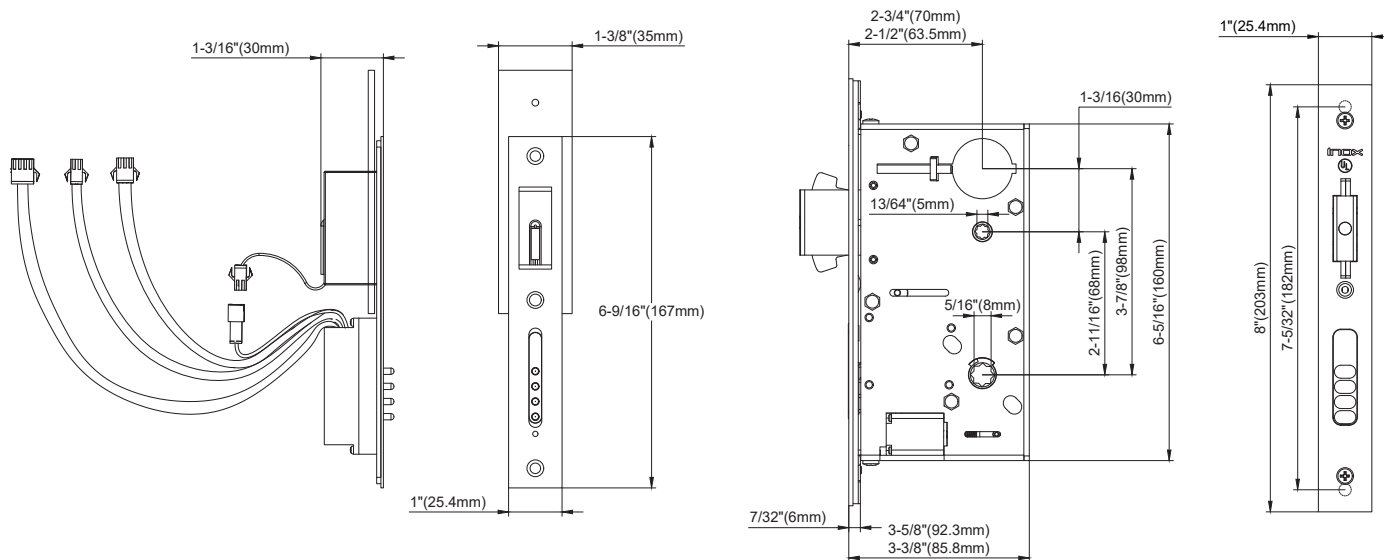


Optional Accessories, use the part numbers below as new line items.

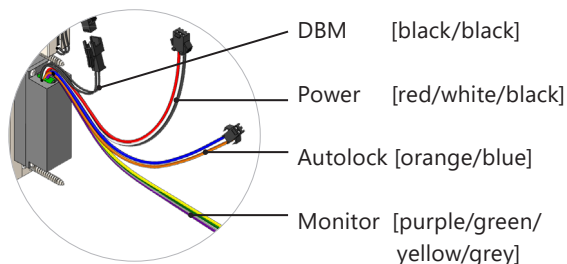
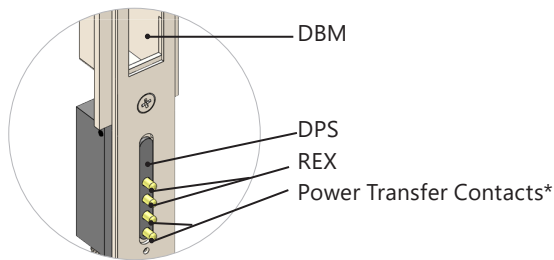
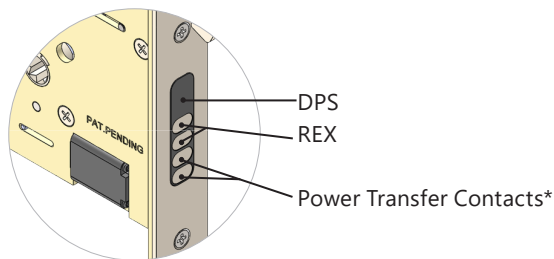
- | | |
|----|--|
| 10 | ELPS5-4 Power Supply with built-in surge protection, Voltage: 2A@12/24V DC, Dimension: 11"x11"x4" |
| 11 | AC-KP1200 Stainless Steel keypad faceplate for indoor electrically locked door application, Voltage: 12/24V DC, Dimension: 4-1/2 x2-3/4"x1-1/4" |
| 12 | AC-MP100 Stainless Steel Monitoring Panel Dimension: 4-1/2"x2-3/4"x3/4" |
| 13 | AC-IR1100 Handwave sensor with illuminated display, Voltage: 2A@12/24V DC, Dimension: 4-1/2"x2-3/4"x1" |
| 14 | AC-PB200 Wide Push Button with illuminated display, Dimension: 3-3/8"x3-3/8"x3/4" |
| 15 | AC-PB100 Narrow Push Button with no illuminated display, Dimension: 3-1/2"x1-1/8"x1" |

PD97ES ELECTRIFIED SLIDING DOOR MORTISE LOCK

DIMENSIONS



BUILT-IN MONITORING SWITCHES



*Power Transfer to the lock occurs on contact with the pogo pins on the strike.

Auto-locking Switch [orange/blue]

- When the door is closed, the DPS will trigger the auto-locking switch to power the lock for auto-locking.
- When the DBM detects the deadbolt is not fully engaged, the DPS indicates the door is still closed; the auto-locking switch will trigger the power to be sent to the lock for auto-relocking again. If this verification process is repeated 3 times, an alarm sound will be activated unless user re-opens the door.

DPS (Door Position Switch) [yellow/purple]

- Monitoring signal showing the position of the door either as closed or open.
- When door is closed, the DPS signal will trigger an auto-locking switch function.

DBM (Deadbolt Monitoring Switch) [green/purple]

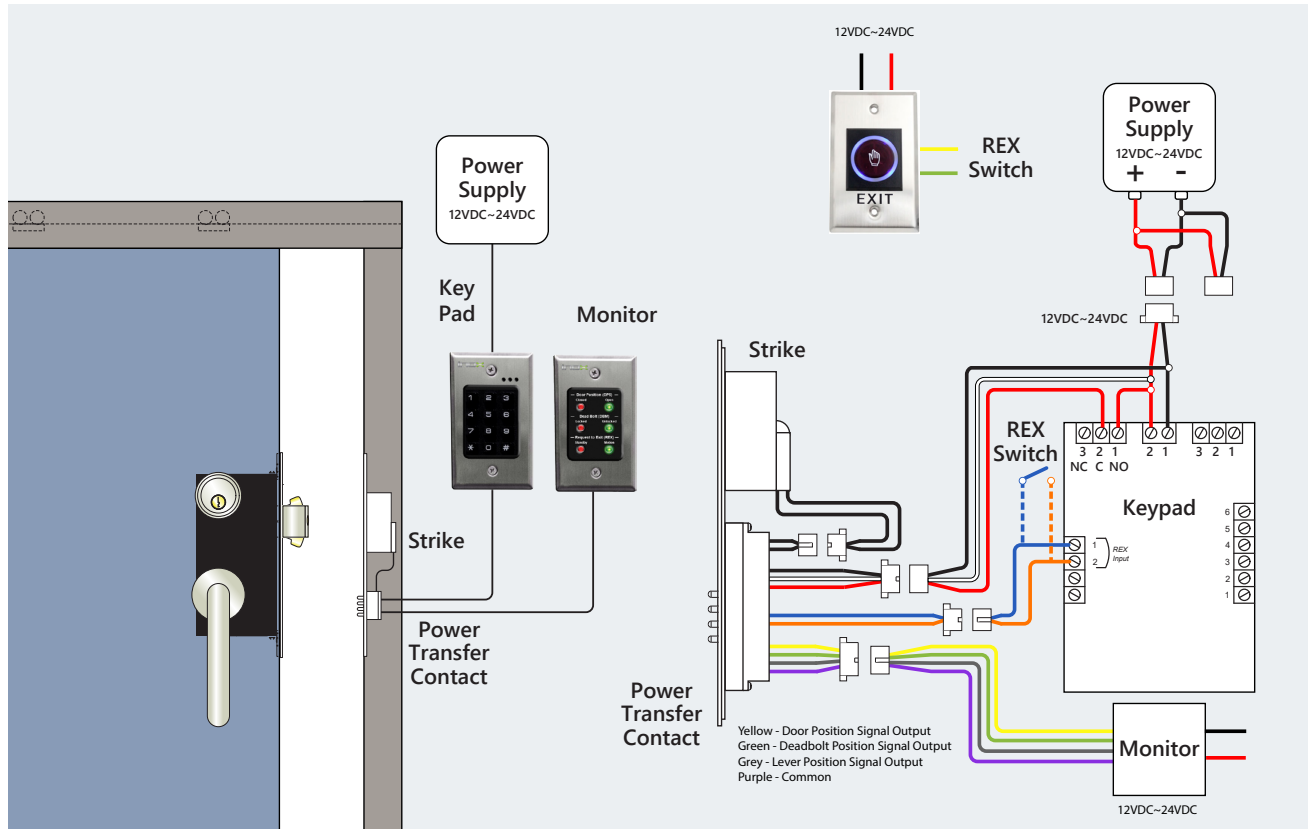
- Monitoring signal showing the position of the deadbolt as locked or unlocked.
- If the deadbolt is not fully engaged in the strike after a locking cycle, the DBM signal will trigger a relocking cycle.
- After 3 failed attempts to lock, an integrated speaker will chime 60 seconds to notify user that the door failed to lock.

REX / Inside Lever Monitoring Switch [grey/purple]

- Monitoring signal alerts that someone is using the lever, intending to exit from within secure area.

PD97ES ELECTRIFIED SLIDING DOOR MORTISE LOCK

WIRING DIAGRAM



This product for UL compliance shall be used with UL Listed access control and burglar alarm control panels / peripheral devices. Accessories are shown for reference only and not evaluated for UL294 or UL1034.

PD97ES Electrified Locks are designed to operate at 12/24V. Complete INOX system maximum current draw is 780 mA. INOX breakdown of individual items:

| | |
|-----------|-------|
| Lock Body | 560mA |
| Strike | 40 mA |
| Keypad | 90 mA |
| Handwave | 30 mA |
| Relay | 30 mA |
| Monitor | 30 mA |

For UL compliance the product is to be powered via a UL294 or UL603 or UL2610 power supply with a class 2 power limited output suitable for the power requirement of the product.

Door Position Switch (DPS), Deadbolt Monitoring Switch (DBM): 250K cycles of operation resistive load.

TRIM AND THUMBTURN OPTIONS

ROSE & LEVER DESIGN



XGT Rose



XGS Rose

*Return-to-Door Lever Designs comply with California and other state building codes for door openings



201 COLOGNE



202 MUNICH*



205 FRANKFURT



221 AURORA



243 SUNRISE



244 TWILIGHT*



276 PLAZA



318 CAFE



319 HAMPTON



320 EMPIRE

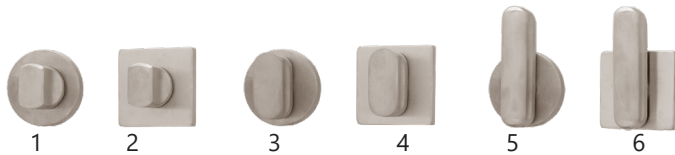


345 TOKYO



346 OSAKA*

THUMBTURN OPTIONS



| Ref. | Description | Part Number |
|------|--------------------------------------|---------------------------------|
| 1 | TT02 Thumbturn in Round Rosette | EC-R460TT02 |
| 2 | TT02 Thumbturn in Square Rosette | EC-S420TT02 |
| 3 | TT04 Thumbturn in Round Rosette | EC-R460TT04 |
| 4 | TT04 Thumbturn in Square Rosette | EC-S420TT04 |
| 5 | ADA TT07 Thumbturn in Round Rosette | EC-R460TT07-ADA |
| 6 | ADA TT07 Thumbturn in Square Rosette | EC-S420TT07-ADA |

PD97ES ELECTRIFIED SLIDING DOOR MORTISE LOCK

ELECTRIFIED LOCKS COMPARISON

| Trim | PD97 | PD97PT | PD97PT-ATL | PD97ES |
|--|------|--------|------------|--------|
| X Series Trim | x | x | x | x |
| Outside Surface Pull with Inside Lever for Egress | x | x | x | x |
| Performance Capabilities | | | | |
| Touchless Unlocking | x | x | x | x |
| Built-in Power Transfer within Lockset | | x | x | x |
| Self-latching/Auto-latching * | | | x | x |
| Auto-locking | | | x | x |
| Compliance Certification | | | | |
| UL294 Safety and Security for Access Control System | | x | x | x |
| UL1784 Air Leakage Test for Draft, Smoke Door Assembly | | | x | x |
| UL1034 Burglary Resistant Electric Lock Mechanism | x | x | x | x |
| ANSI/BHMA A156.25 Electrified Locking Device | x | x | x | x |

* Office Function only



HOW TO ORDER A MORTISE LOCK FOR SLIDING DOOR

HOW TO ORDER LOCKSETS

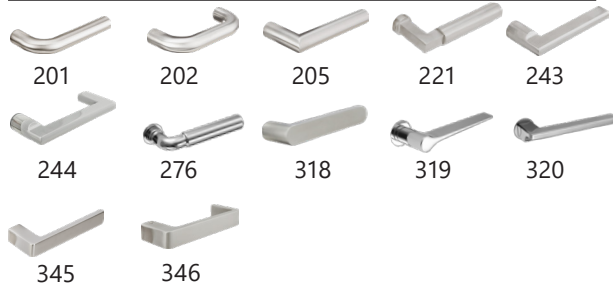
Use the sequence below to order mortise locksets specification. Please see price book for parts or additional service upcharge.

| Rose | Lever | Lock | Function | Backset | Cylinder | Thumbturn | Finish | Handing |
|------------|------------|----------------|-----------|----------|----------------|-------------|------------|-----------|
| XGT | 243 | -PD97ES | 53 | A | CMB1146 | GT04 | 32D | LH |
| 1 | 2 | 3 | 4 | 5 | 6 | 7 | 8 | 9 |

ROSE



LEVER



LOCK

PD97ES

FUNCTION

53 Entrance
60 Patio
80 Storeroom

5 BACKSET

Backset Blank = 2-3/4"

Backset A = 2-1/2"

6 CYLINDER



CMB1146

1-1/4" Cylinder, 6 pin

EC-R460COL Round Collar
EC-S420COL Square Collar

CMB1186

1-1/8" Cylinder 6 Pin

No Collar Required

CMB1386

1-3/8" Cylinder, 6 pin

EC-R417COL Round Collar
EC-S420COL + EC-R456COL Square Collar



CMB1146-ICBA-HUS

1-1/4" SFIC housing, 6 pin

EC-R460COL Round Collar
EC-S420COL Square Collar



CMB1387-ICBA-HUS

1-3/8" SFIC housing, 7 pin

EC-R417COL Round Collar
EC-S420COL + EC-R456COL Square Collar

CMB112-LFIC-HUS

1-1/2" LFIC housing, 6 pin

EC-R417COL Round Collar
EC-S420COL + EC-R456COL Square Collar

7 THUMBTURN



GT02



GT04



GT07



GS02



GS04



GS07

8 FINISH

Standard:



32D



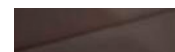
C19G



C19



CGY



CDB



32

9 HANDING

RH = Right Hand

LH = Left Hand

