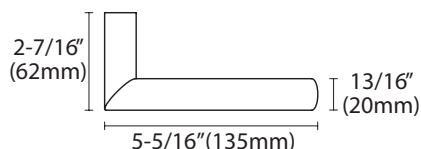


# 105 Frankfurt Lever

## Interior Leversets



### FUNCTION

#### TL4 Tubular Latch Set with RA, SE, GT or GS or SH Plate

Passage, 2-3/8" = L461      Passage, 2-3/4" = L471  
 Privacy, 2-3/8" = L462      Privacy, 2-3/4" = L472  
 Half Passage, 2-3/8" = L465      Half Passage, 2-3/4" = L475  
 Single Dummy Left = DL      Single Dummy Right = DR

#### TL7 Magnetic Latch Set with RA, SE, GT or GS or SH Plate

Passage, 2-3/8" = L761      Passage, 2-3/4" = L771  
 Privacy, 2-3/8" = L762      Privacy, 2-3/4" = L772  
 Half Passage, 2-3/8" = L765      Half Passage, 2-3/4" = L775  
 Single Dummy Left = DL      Single Dummy Right = DR

#### Tubular Entry set with deadbolt and LA, SF, SH Plate

2-3/8" backset = C463      2-3/4" backset = C473

#### Tubular Handleset with NY, ME Plate

Entry, 2-3/8" = C563      Entry, 2-3/4" = C573  
 Dummy = TDP

#### Multipoint Trim with BP, MU Plate

Passage = MA10      Full Dummy = MADP  
 Patio US Cylinder = MA15      Entry US Cylinder = MA55  
 Patio Euro Cylinder = MA25      Entry Euro Cylinder = MA35  
 Half Passage / Half Dummy = MA20

#### Mortise Locks for Handlesets with NY, MH, ME, BW Plate

Entry, 2-1/2" = MT620      Entry, 2-3/4" = MT720  
 Dummy = MTEDP

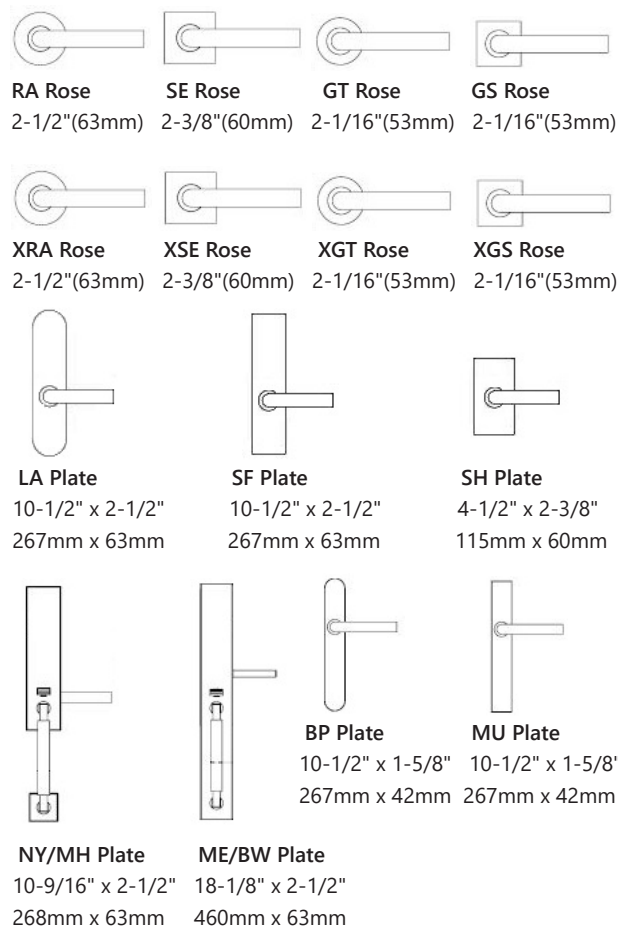
#### Mortise Locksets with XRA, XSE, XGT, XGS or LA, SF Plate

Passage = 10      Privacy = 40  
 Entry w/ Toggle = 53      Entry = 50  
 Entry w/o Toggle = 38      Storeroom = 80  
 Classroom = 70      Dummy Pair = MDP

### SPECIFICATIONS

<b>Door Thickness</b>	1-3/8" to 1-3/4" (35mm to 45mm)
<b>Lever Dimensions</b>	5-5/16" x 2-7/16" x 13/16" (135mm x 62mm x 20mm)
<b>Material</b>	Trim: Stainless Steel

### ESCUTCHEON OPTIONS



### FINISH



Disclaimer: This document contains design concepts and specifications in development as a work in progress. INOX reserves the right to modify any and all parts of product design, dimensions, specifications, functions, and proprietary configurations at any time. Updated revisions will be released at INOX's discretion. Please contact Unison Hardware, Inc., to inquire about updated information before specifying and ordering this product.