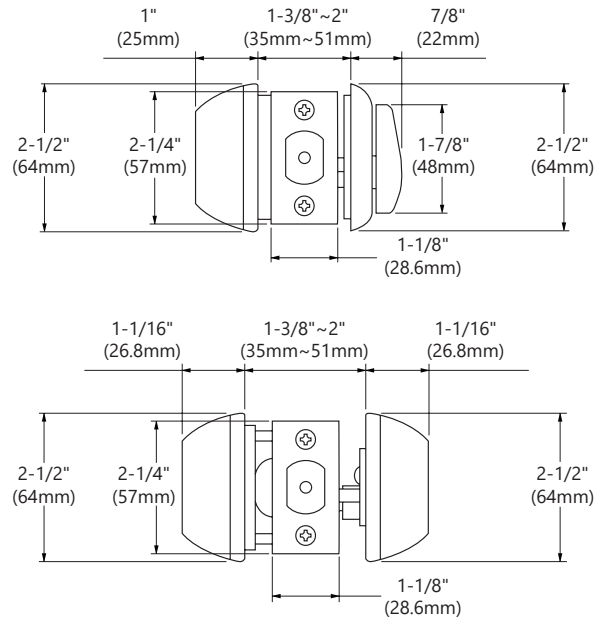


BX STANDARD DUTY DEADBOLT

Commercial Grade 2

SPECIFICATIONS

Door Thickness	1-3/8" (35mm) ~ 2" (51mm) doors standard
Backset	2-3/8" (60mm) or 2-3/4" (70mm)
Handing	Non-handed
Exposed Trim	2-1/2" (63.5mm) diameter solid cast alloy, one-piece design exceeds BHMA/ANSI Grade 2 security against hammer and crowbar prying attacks
Faceplate	1-1/8" (28.6mm) x 2-1/4" (57mm) Stainless Steel or brass faceplate with square corners radius corner available by special order
Dead Bolt	1" (25mm) throw deadbolt with saw-resistant hardened steel core
Strike	1-1/8" (28.6mm) x 2-3/4" (70mm) with steel reinforcement
Cylinder & Keys	6-pin anti-pick cylinder in Schlage C keyway keyed different with 2 brass keys per lock. Small Format Interchangeable Core (SFIC) available by specifying IC core, please order separately
Keying Options	Keyed Alike, Master Keying, Grand Master Keying, and Construction Keying available by special order. Nickel silver keys available by special order



STANDARD FINISHES

- 10B Oil Rubbed Bronze
- 19G Graphite Black
- 26D Satin Chrome
- 26 Polished Chrome

For additional finish options not listed, contact Sales Department for MOQ and lead times

CODE COMPLIANCE



ANSI/BHMA A156.36 & A156.5 Grade 2
 UL Listed for UL10B and UL10C, up to 3 Hours
 UBC Standard 7-2 (1997) NFPA 252
 NFPA80 National Fire Protection-Fire Door Assembly
 NFPA101 National Fire Protection-Life Safety
 ANSI/BHMA A156.18 Finishes
 ANSI A117.1 ADA Accessibility