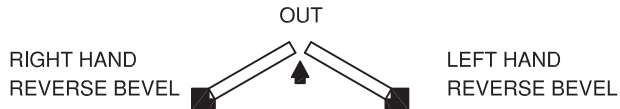
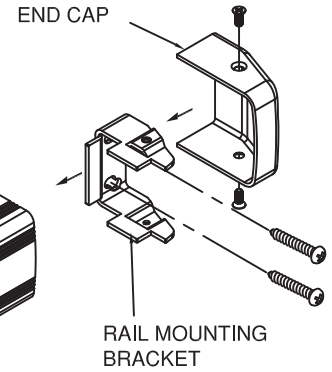


INSTALLATION INSTRUCTIONS FOR ED93 SERIES PANIC EXIT DEVICE

BEFORE INSTALLING DEVICE, PLEASE CHECK :

1. IF DOOR IS FITTED AND HUNG.
2. SIZE OF EXIT DEVICE, FUNCTION AND DESIGN...
 - 2.1. 36" DOORS, CAN BE CUT TO FIT DOORS DOWN TO 30" WIDE.
 - 2.2. 48" DOORS, CAN BE CUT TO FIT DOORS DOWN TO 36" WIDE.
 - 2.3. HAND OF DEVICE AGAINST APPLICATION.

SURFACE OF DOOR FOR EXIT DEVICE APPLIED MUST BE FLUSHED.

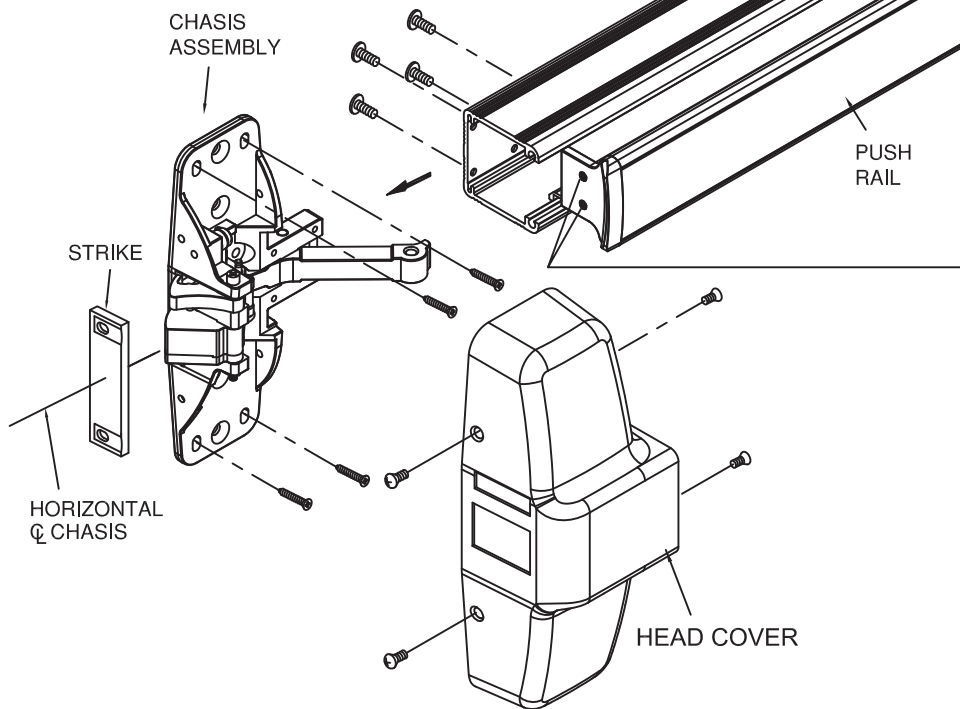


MOUNTING RAIL

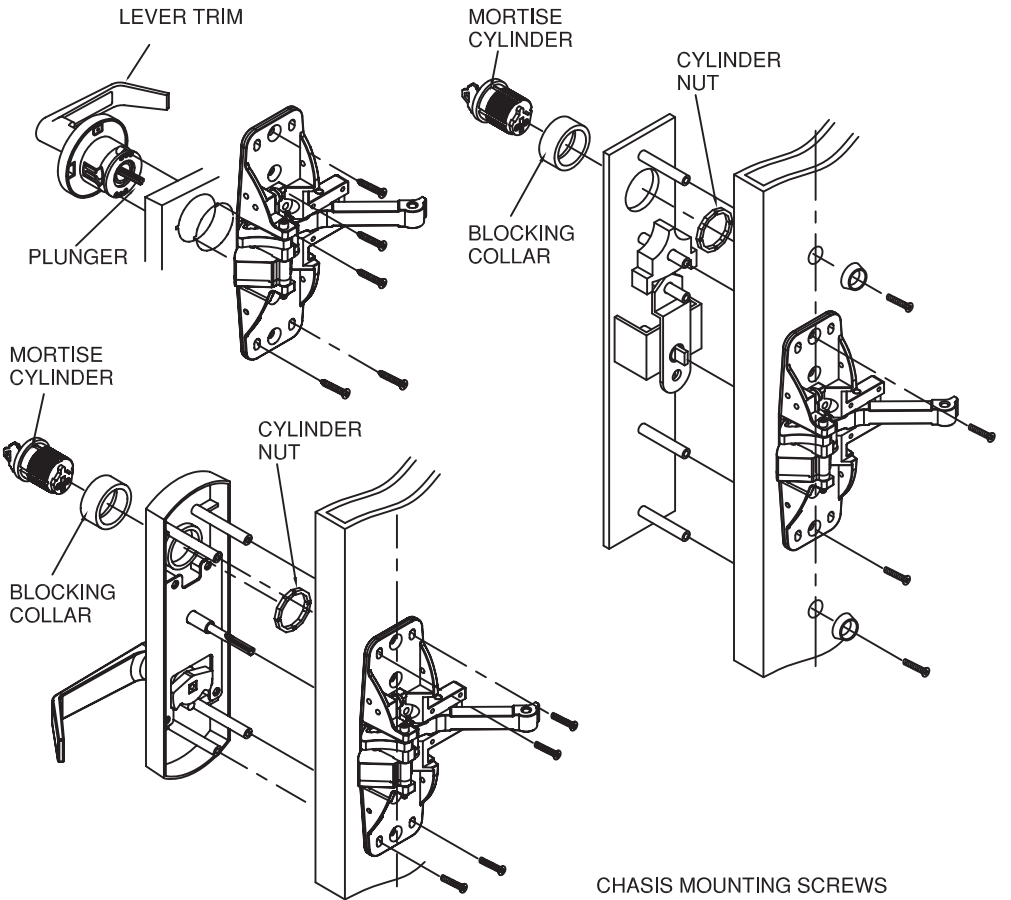
SLIDING SHIM

DOGGING HEX KEY

PANIC BAR SET SCREWS (12-24 X 5/16") MUST BE ACTIVATED AT TOP AND BOTTOM OF PUSH RAIL TO ACHIEVE IMPACT RATING. SET SCREWS TO BE USED IN THE EVENT OF IMMINENT SEVERE WEATHER OF HURRICANE FORCE.



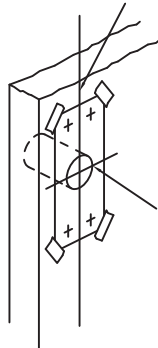
2. APPLY HARDWARE



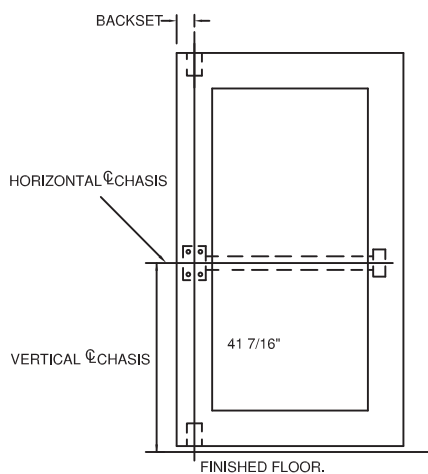
1. PREPARE DOOR

- 1.1 FOR 2 1/8" BORE PREP. POSITION TEMPLATE OVER EXISTING HOLE AND MARK FOR TWO CHASIS MOUNTING SCREW HOLES.

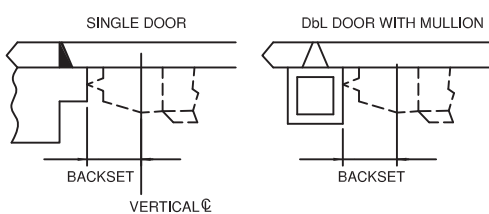
ENSURE VERTICAL CHASIS PARALLEL TO DOOR EDGE.



- 1.2 FOR DOOR W/O BORE PREP, MARK VERTICAL CHASIS AND HORIZONTAL CHASIS USING DIMENSIONS BELOW. MOUNTING SCREW HOLES.



IDENTIFY TYPE OF INSTALLATION TO DETERMINE LOCATION OF VERTICAL CHASIS

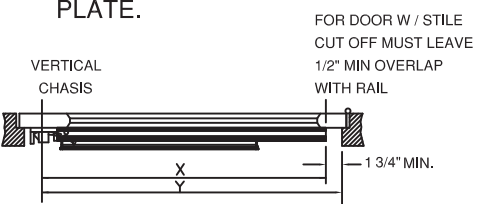


- STRIKE FOR BACKSET 2 1/4".
- STRIKE FOR BACKSET 1 3/4".
- STRIKE FOR BACKSET 2 1/4".

- STRIKE FOR BACKSET 1 1/2".

3. APPLY RAIL ASSEMBLY

- 3.1 CHECK THE SIZE OF DEVICE, IF CUTTING TO LENGTH IS REQUIRED.
- 3.2 DETERMINE CUT OFF LENGTH "X" BY SUBTRACTING 1-3/4" FROM "Y". MARK CUT OFF POINT ON MOUNTING RAIL.
- 3.3 DEPRESS ARM INTO RAIL OPENING AND SLIDE RAIL ONTO CHASIS. LEVEL RAIL AND FASTEN CHASIS AND MOUNTING PLATE.



CUT OFF AND DEBURR

DON'T CUT CLOSER THAN 1-3/4" FROM LOWER PILOT.

TIGHT AGAINST RAIL

ATTACH MOUNTING PLATE TO DOOR WITH (3) ROUND HEAD SCREWS.

4. APPLY COVER AND STRIKES

