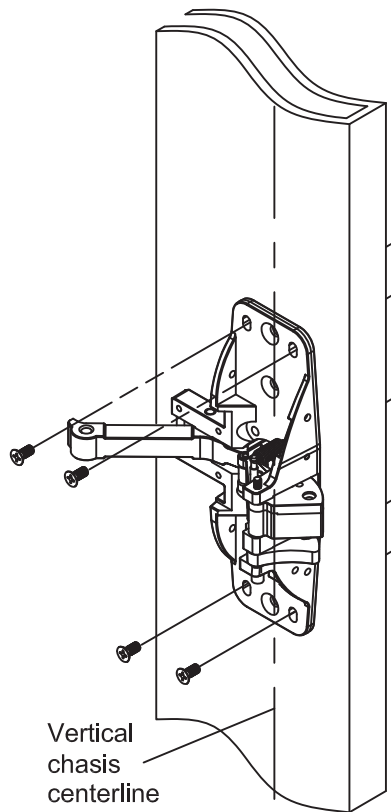
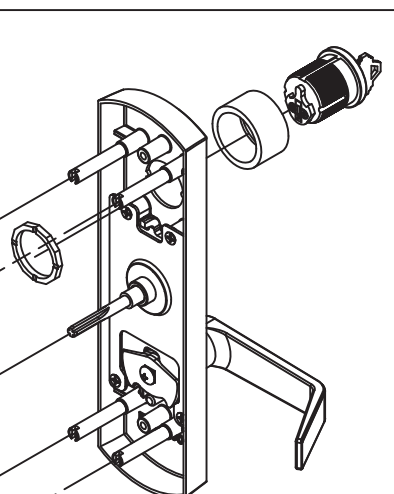
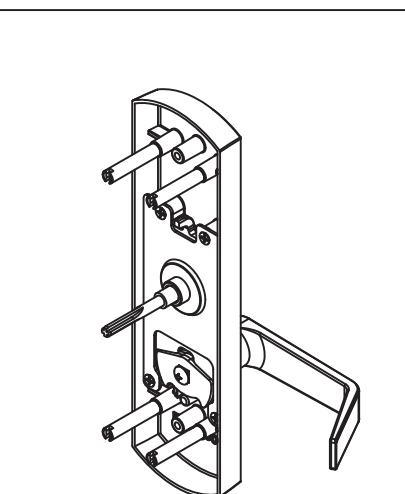
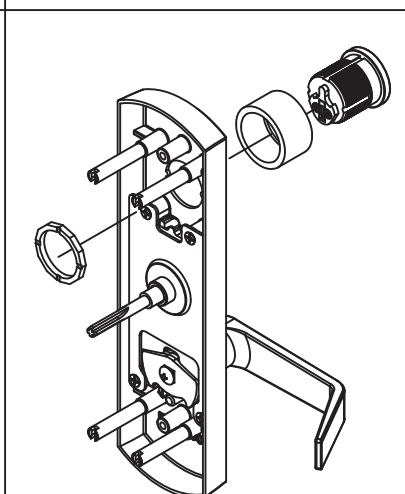
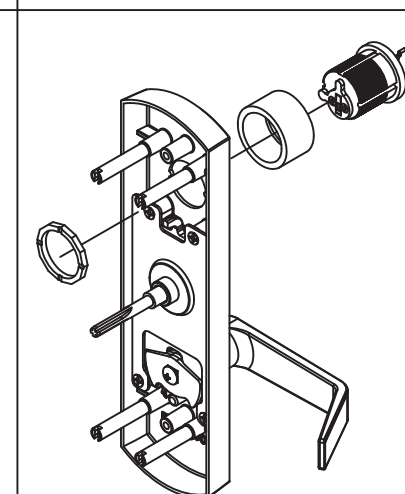
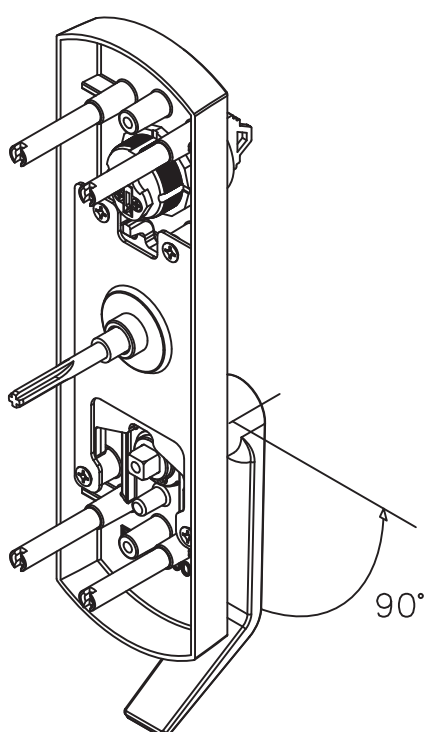
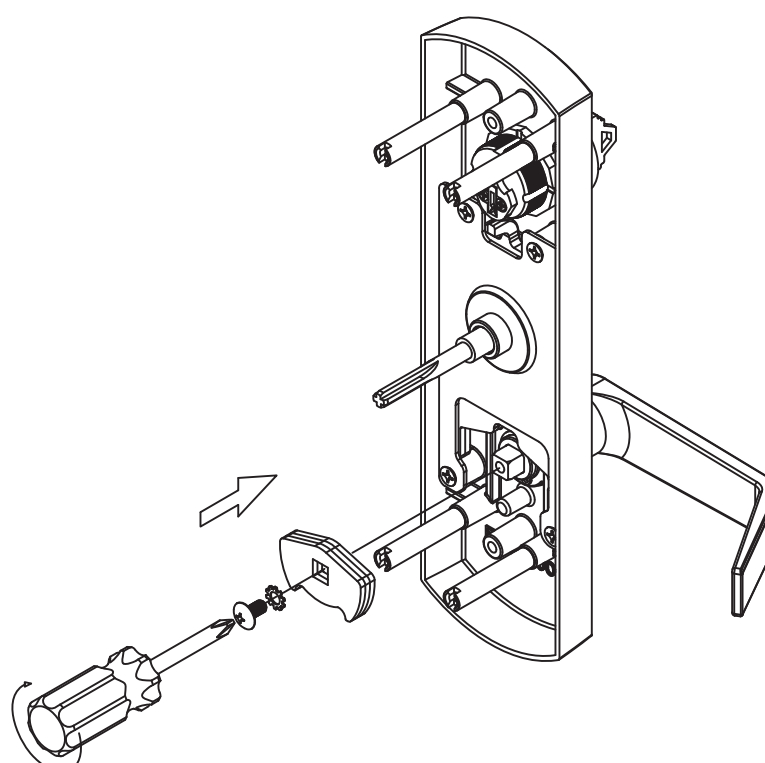
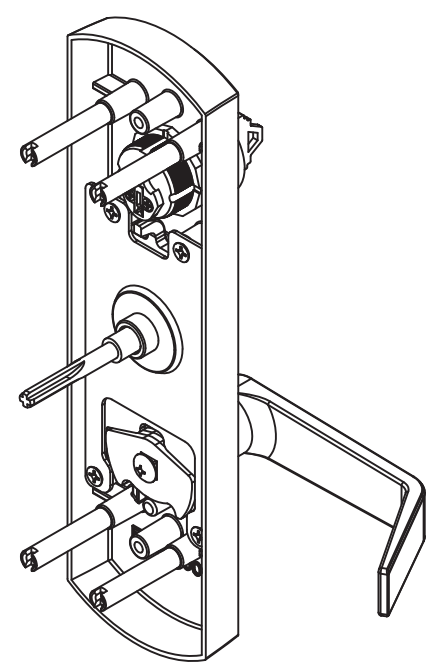
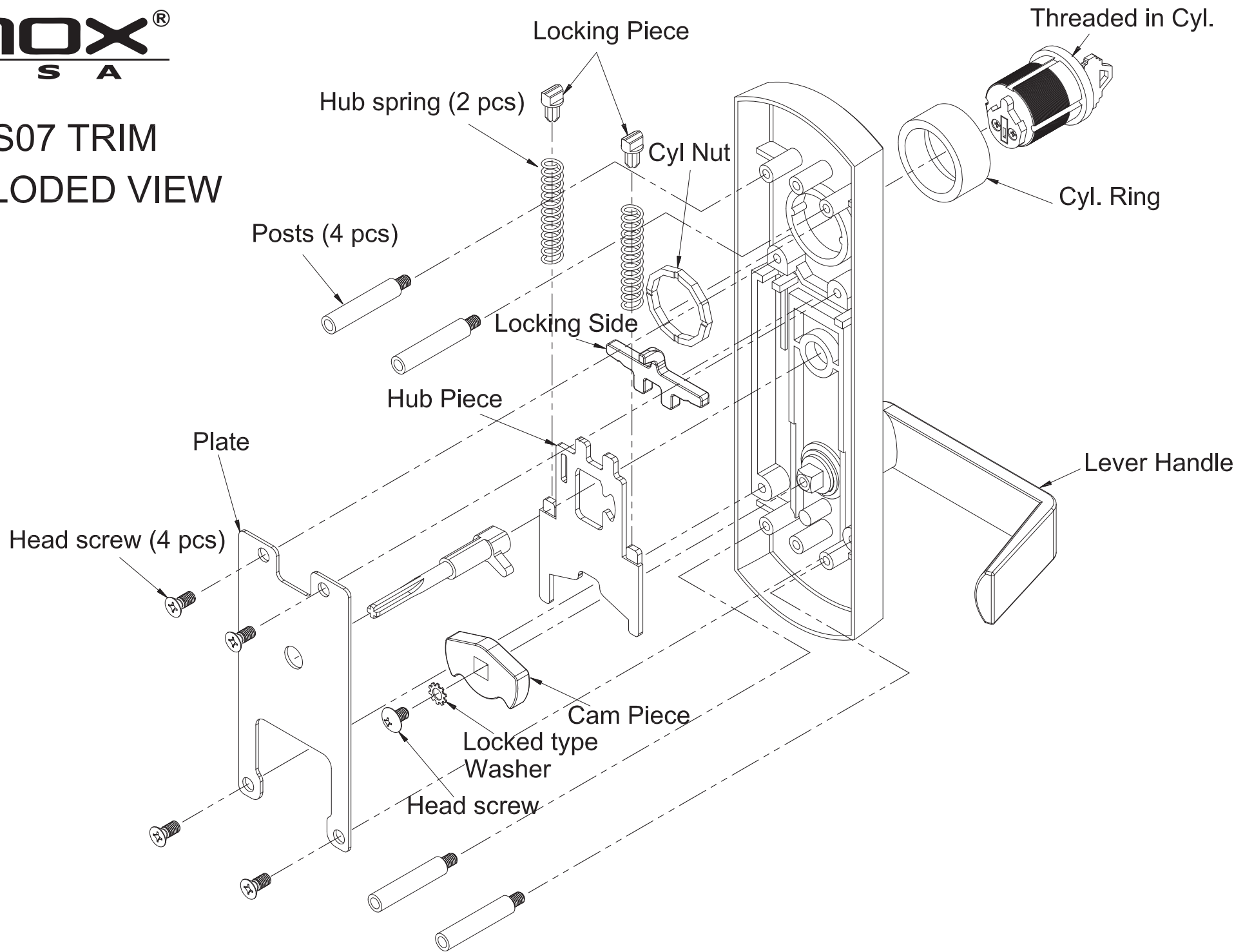


	EDES07-00	EDES07-30	EDES07-40	EDES07-05
 <p>Vertical chasis centerline</p>	 <p>Lockable Nesc Lever Trim Key locks &amp; Unlocks Lever</p>	 <p>No Cyl, Trim Always Operable</p>	 <p>Pull when Push bar locked down Dummy Nesc Lever Trim</p>	 <p>Key unlock Nesc Lever, Key remained on Cyl unless Locked. Cyl Nesc Lever Trim</p>
	<b>00 function Entrance</b>	<b>30 function Passage</b>	<b>40 function Dummy</b>	<b>05 function Storeroom</b>
	Attach the collar and mortise cyl to the nesc case with mortise nut, attach case to door thru bolting (4) screws to the chasis, aligning spindle to hub	Attach nesc case to door thru bolting the (4) screws to the chasis, allaning spindle to hub of the Chasis	Attach the collar and dummy cyl to the nesc case with mortise nut, attach case to door thru bolting (4) screws to the chasis,	Attach the collar and mortise cyl to the nesc case with mortise nut, attach case to door thru bolting (4) screws to the chasis, aligning sprindle to hub

**EDES07 Lever Trim For ED93 / ED93F Series  
Method of Changing Hand of Lever, LHR**

<p>1. Rotate lever to LHR positioned at 90°</p> 	<p>2. Place and fasten cam piece with locked type washer and screw</p> 	<p>3. Done</p> 
---	---	--

**EDES07 TRIM  
EXPLODED VIEW**



**EDES07 Lever Trim For ED93 / ED93F Series  
Method of Changing Hand of Lever, RHR**

