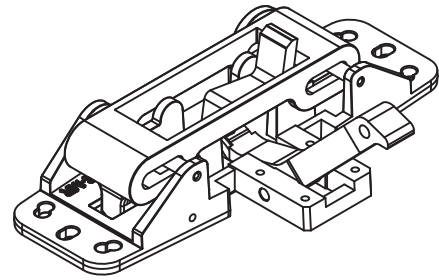
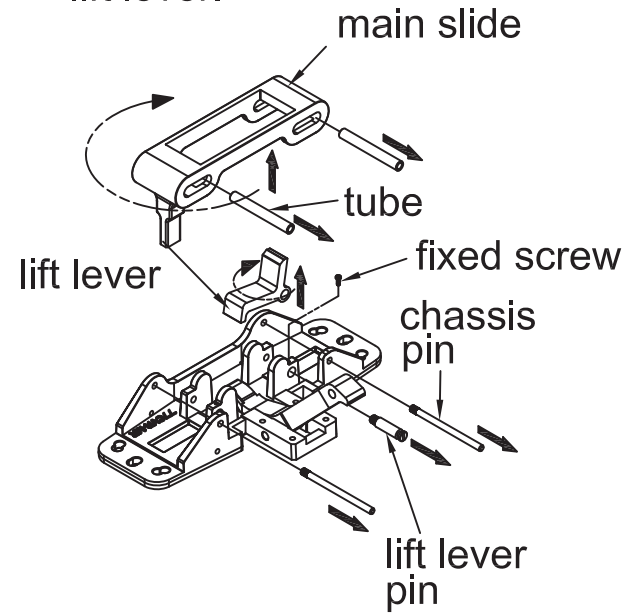


TO CHANGE HANDING OF ED93-CVR EXIT DEVICE

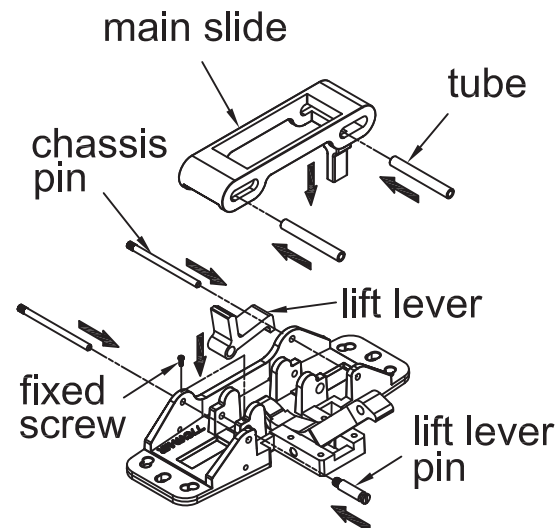
1.LHR



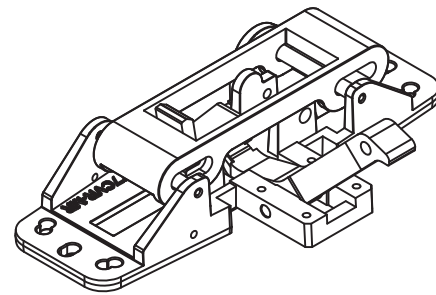
- 2-1.Remove chassis pin & main slide & tube & fixed screw.
- 2-2.Remove lift lever & lift lever pin.
- 2-3. Rotate 180° main slide & lift lever.



- 3-1.Reassemble lift lever at opposite side, as shown.
- 3-2.Replace main slide and chassis pin and lift lever pin. and fixed screw.

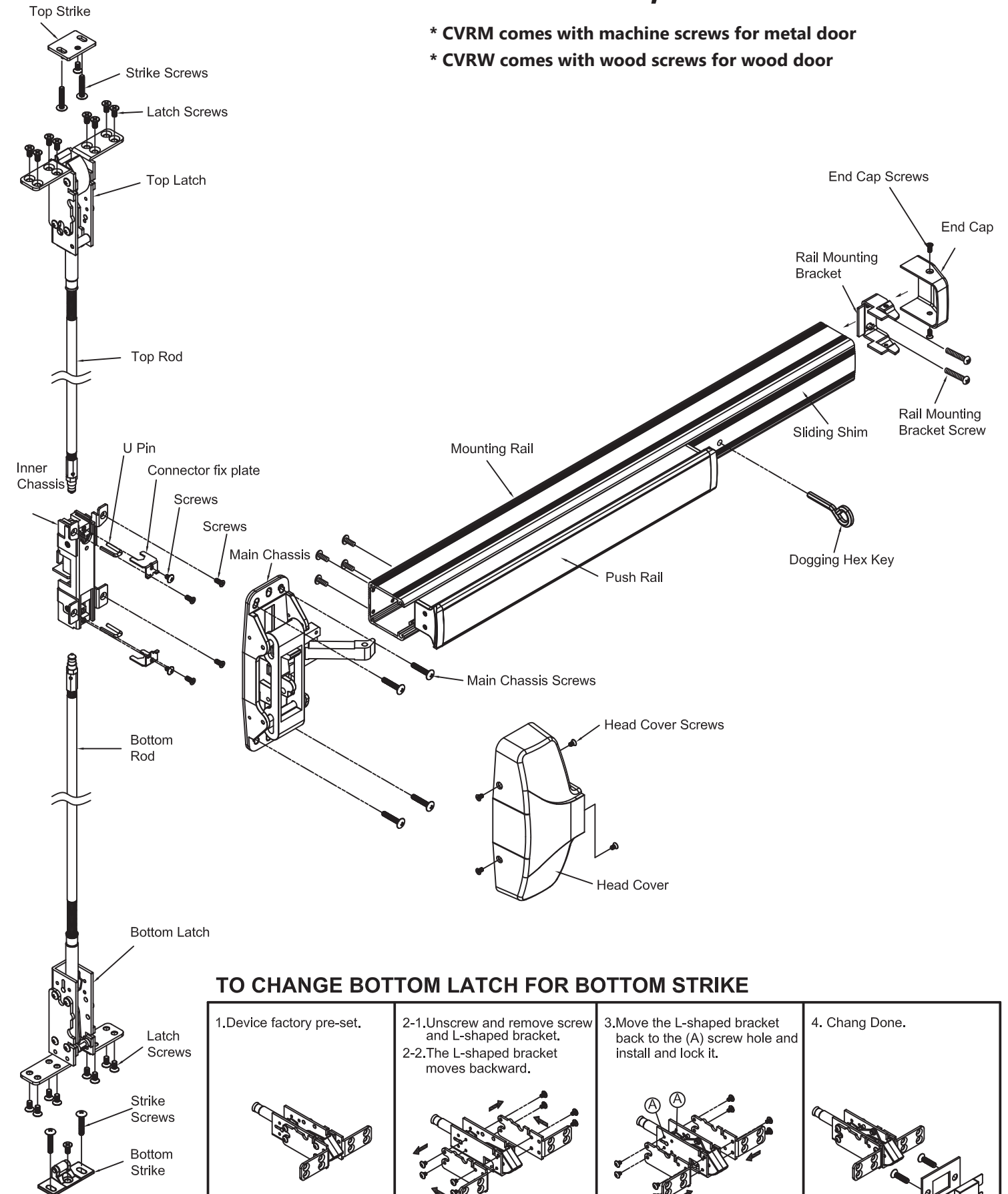


1.RHR Done.



Installation Instructions for ED93-CVRM, ED93-CVRW, ED93F-CVRM, ED93F-CVRW

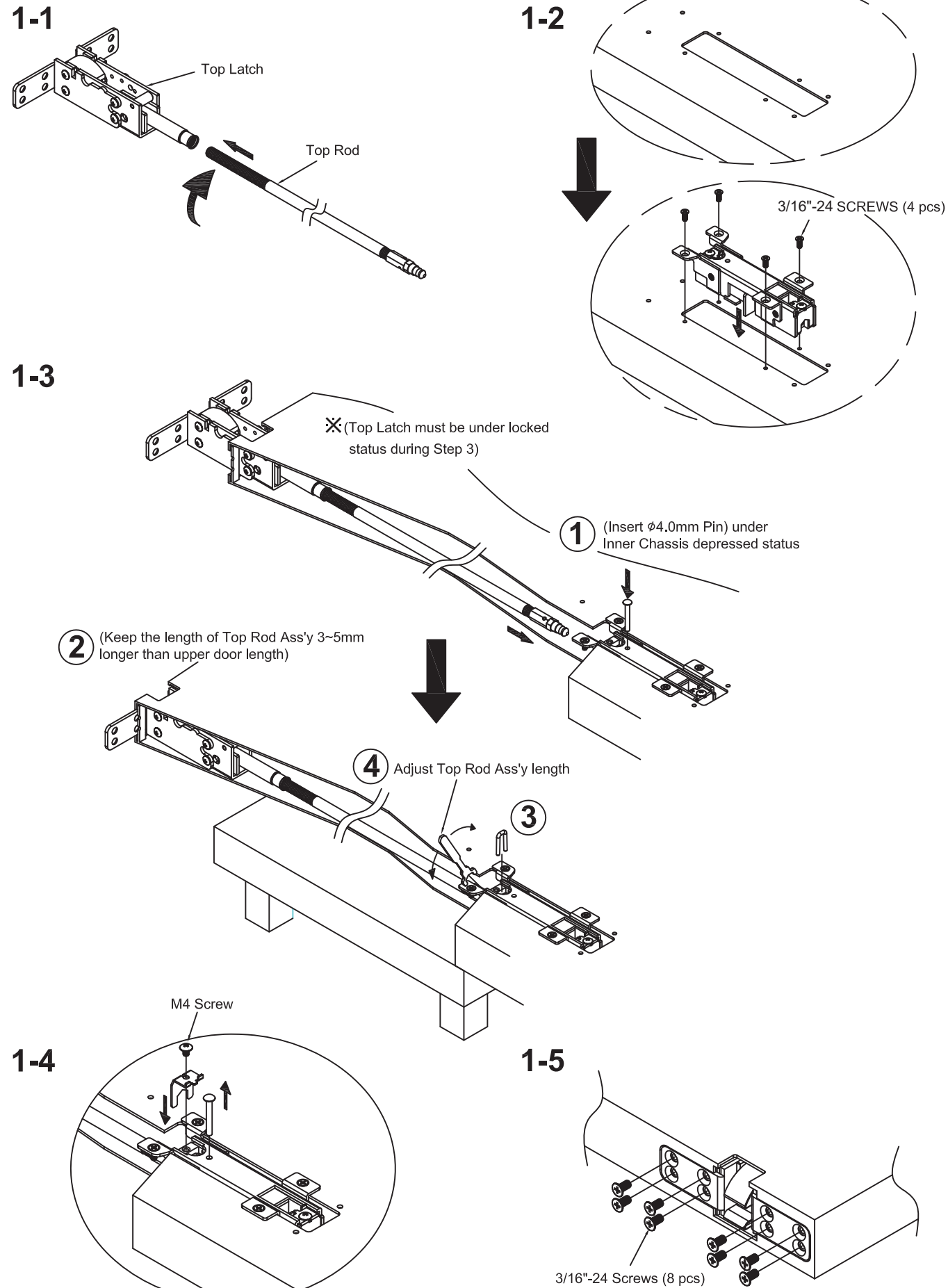
- * CVRM comes with machine screws for metal door
- * CVRW comes with wood screws for wood door



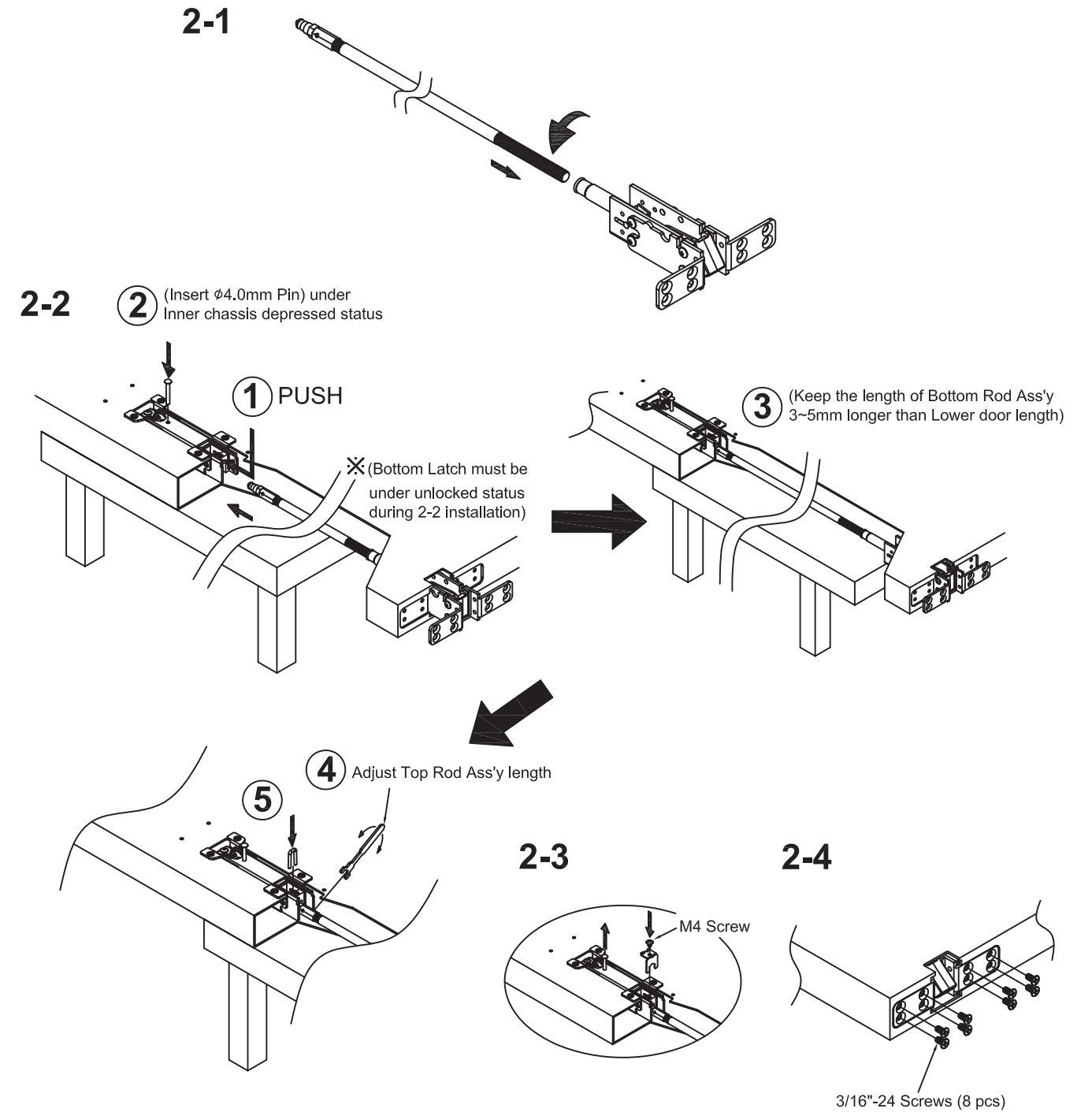
TO CHANGE BOTTOM LATCH FOR BOTTOM STRIKE

<p>1.Device factory pre-set.</p>	<p>2-1.Unscrew and remove screw and L-shaped bracket. 2-2.The L-shaped bracket moves backward.</p>	<p>3.Move the L-shaped bracket back to the (A) screw hole and install and lock it.</p>	<p>4. Chang Done.</p>
----------------------------------	--	--	-----------------------

1. INSTALL INNER CHASSIS & TOP LATCH

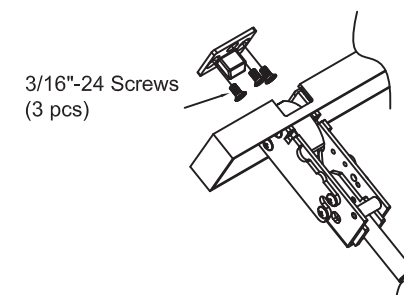


2. INSTALL BOTTOM LATCH (Skip this step if Less Bottom Rod - LBR)



3. INSTALL TOP & BOTTOM STRIKE (Please Follow TEMPLATE)

3-1 Top Strike



3-2 Bottom Strike

