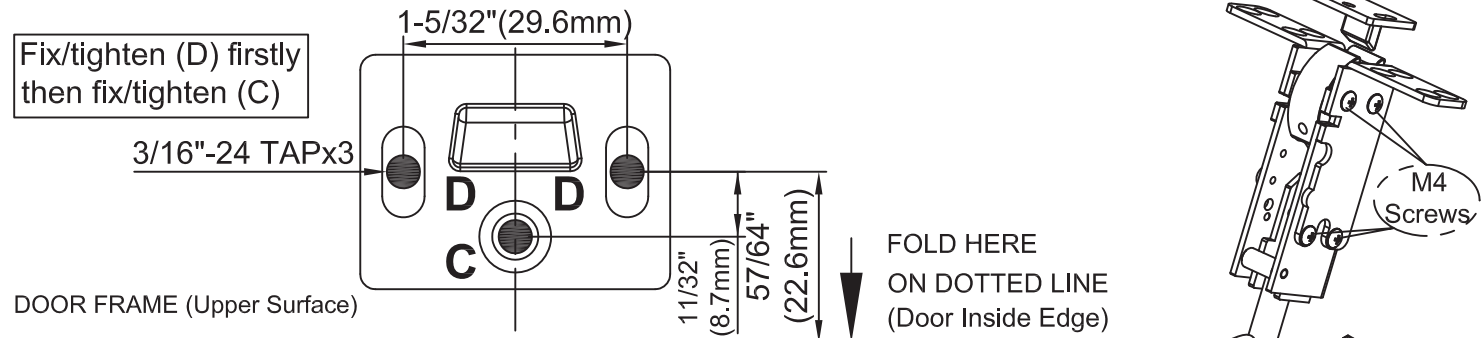
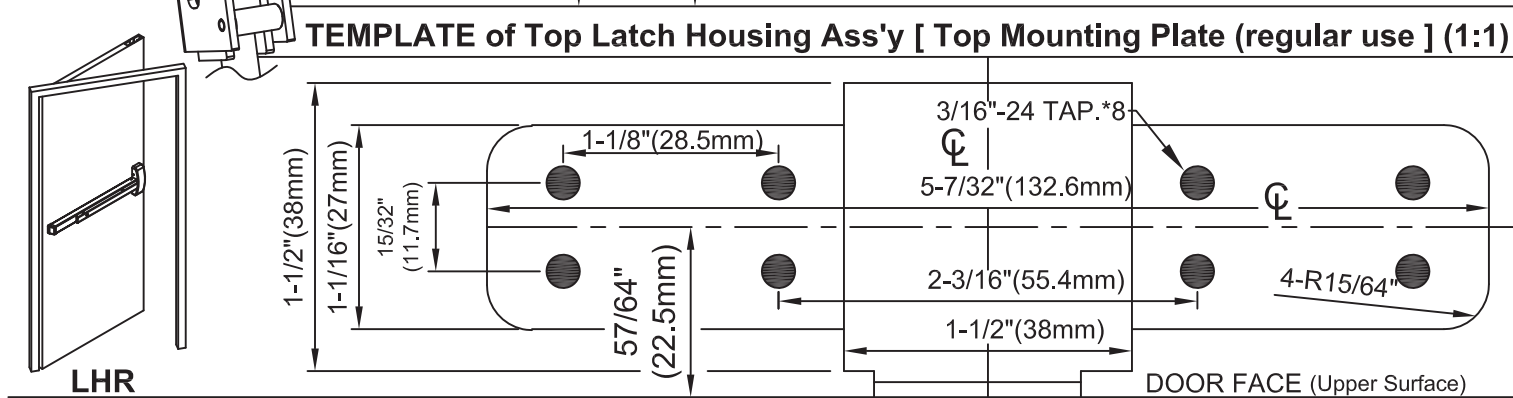
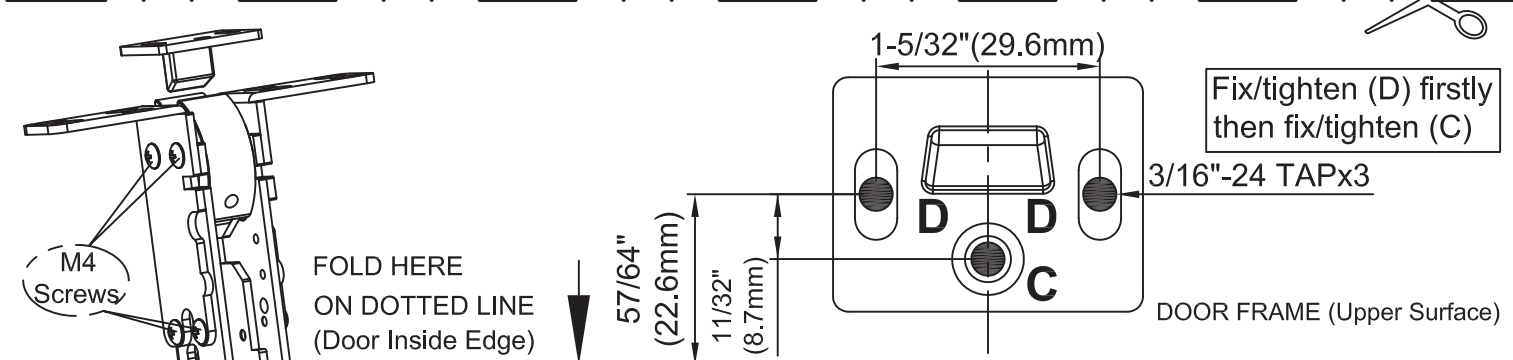
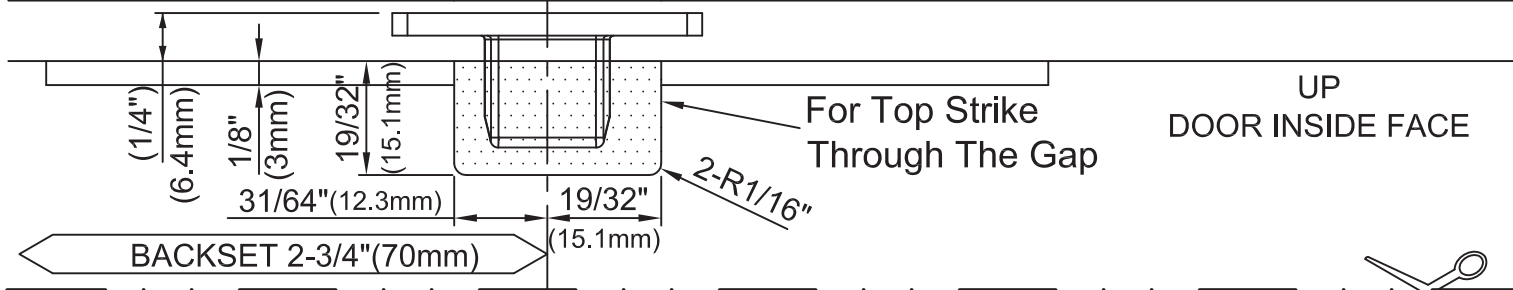
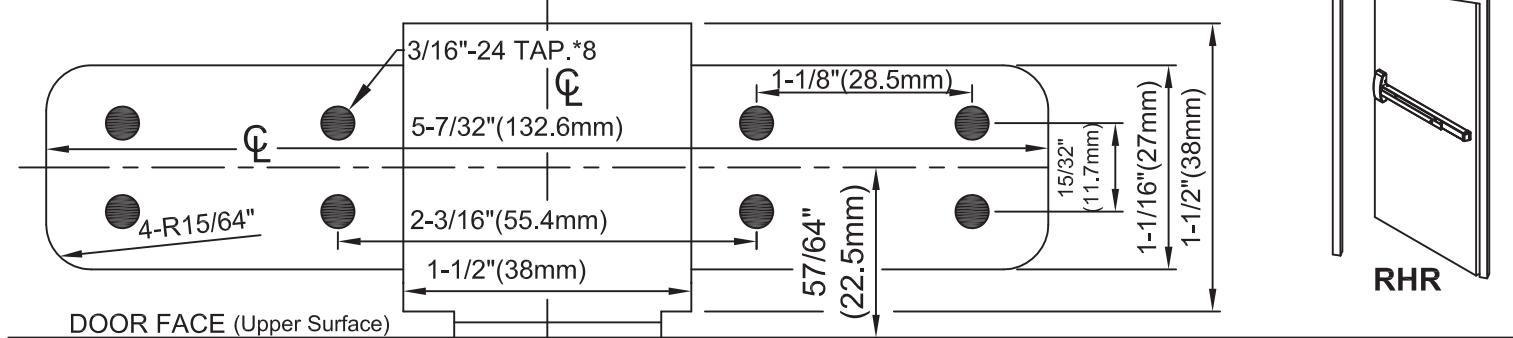


**TEMPLATE of Top Latch [ Top Strike (regular use) ] (1:1)**

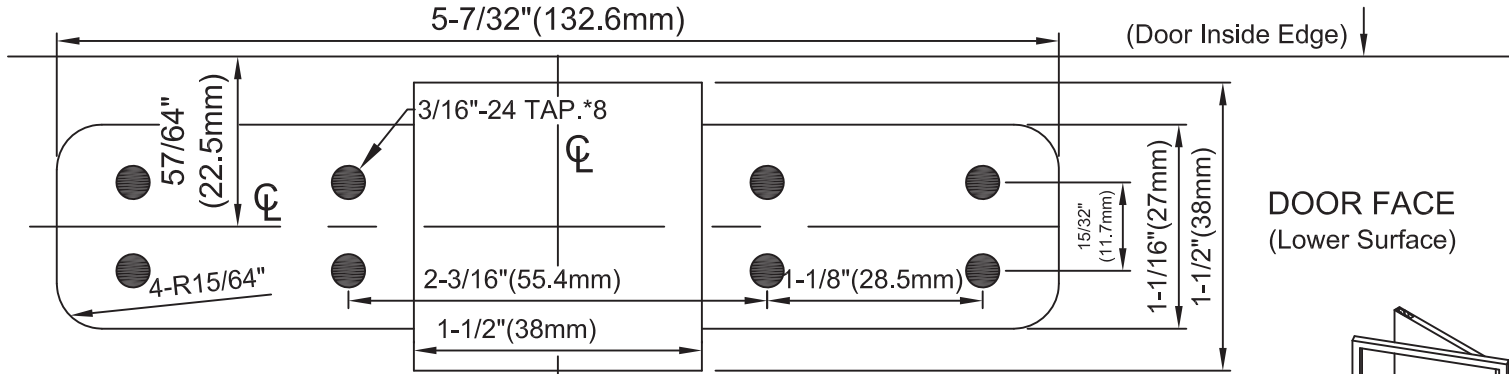


**TEMPLATE of Top Latch Housing Ass'y [ Top Mounting Plate (regular use) ] (1:1)**

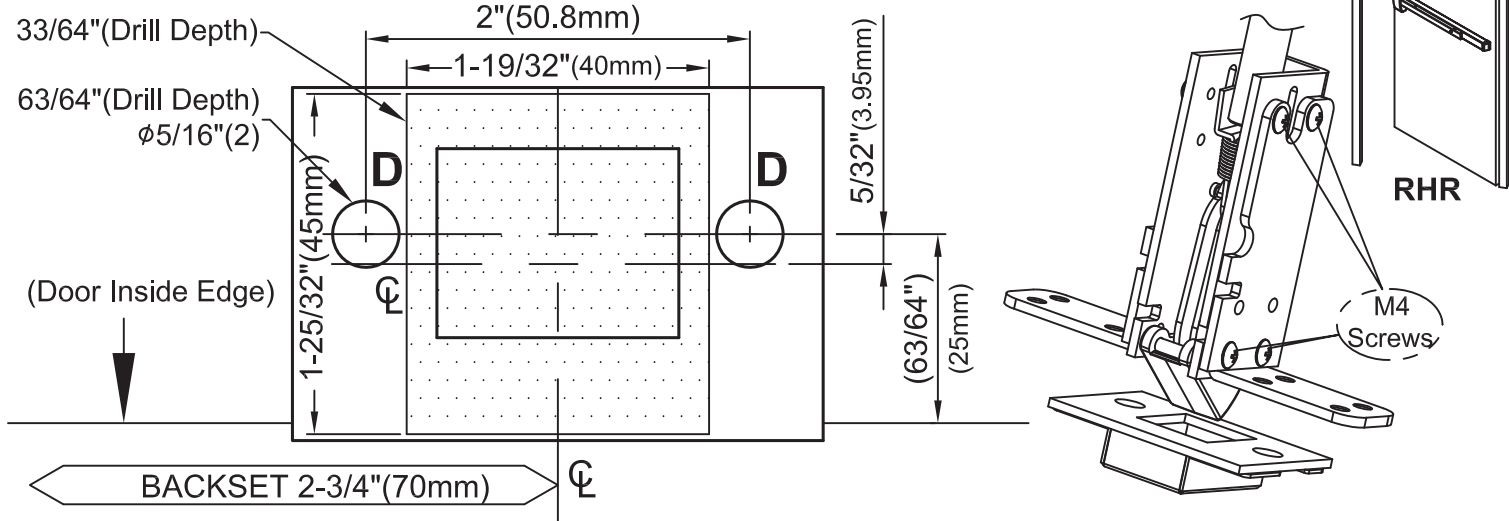


**Template for:**  
**ED93-CVRM, ED93-CVRW,**  
**ED93F-CVRM, ED93F-CVRW**  
**Concealed Vertical Rod Exit Device**  
**Top & Bottom Latch**

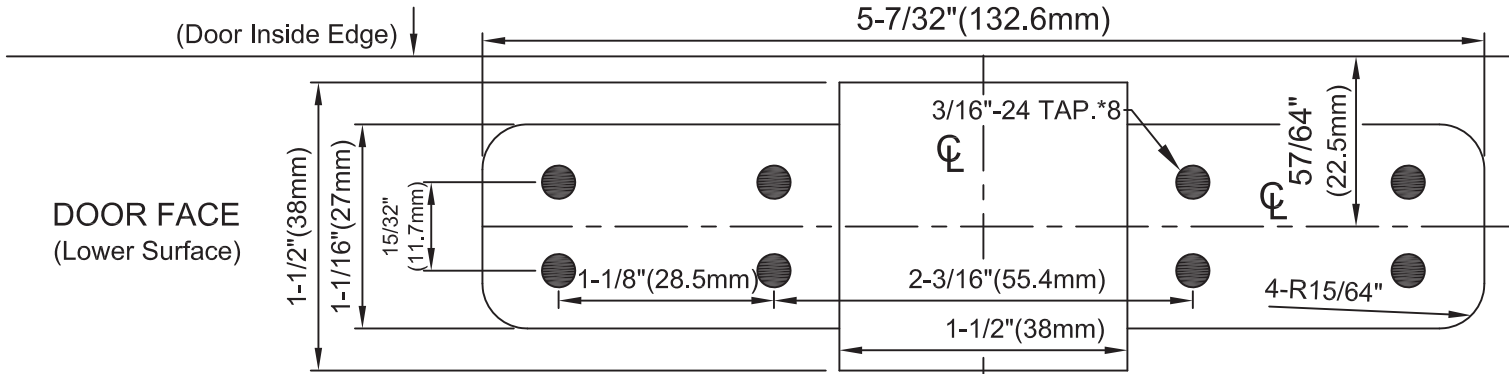
**TEMPLATE of Bottom Latch Housing Ass'y [ Bottom Mounting Plate (regular use) ] (1:1)**



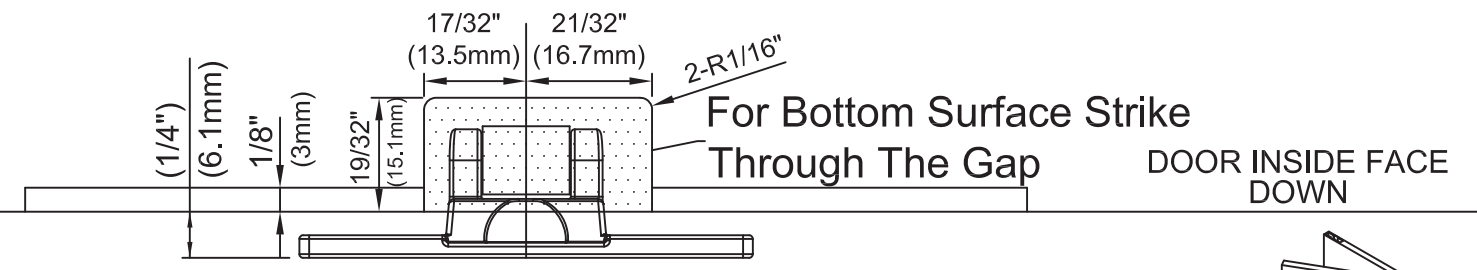
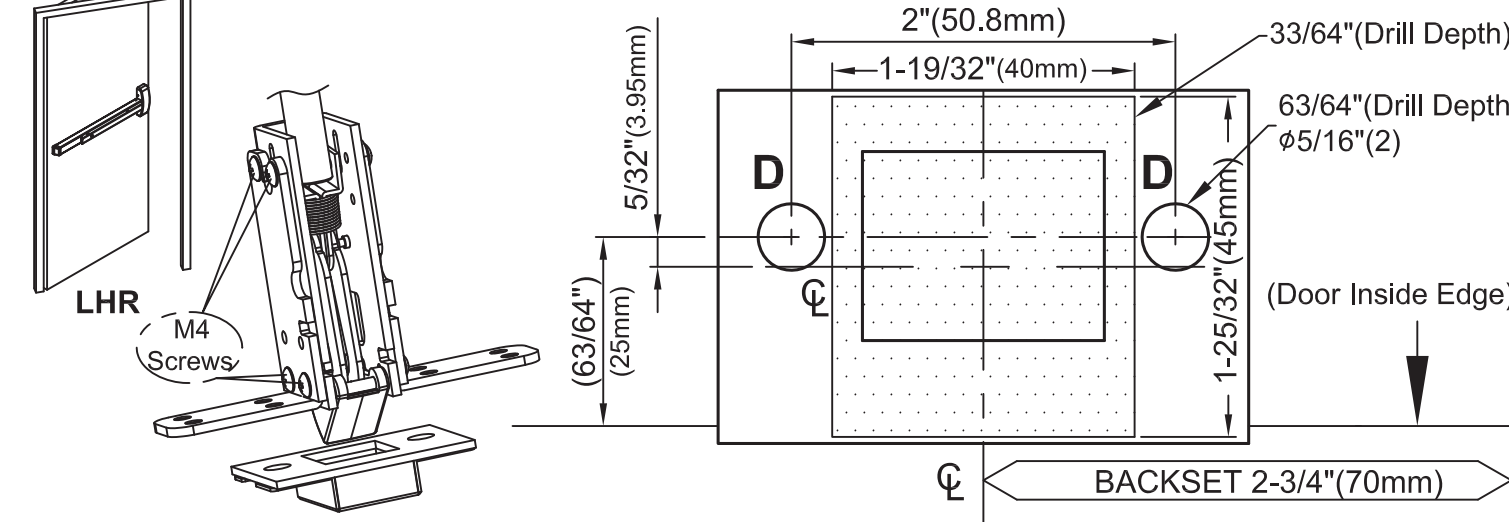
**TEMPLATE of Bottom Latch Ass'y [ Bottom Strike (regular use) ] (1:1)**



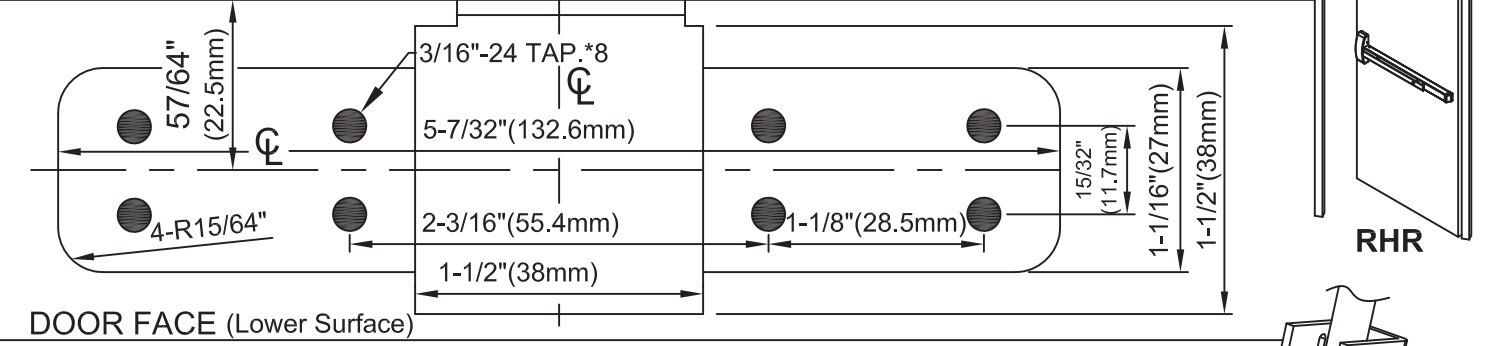
**TEMPLATE of Bottom Latch Housing Ass'y [ Bottom Mounting Plate (regular use) ] (1:1)**



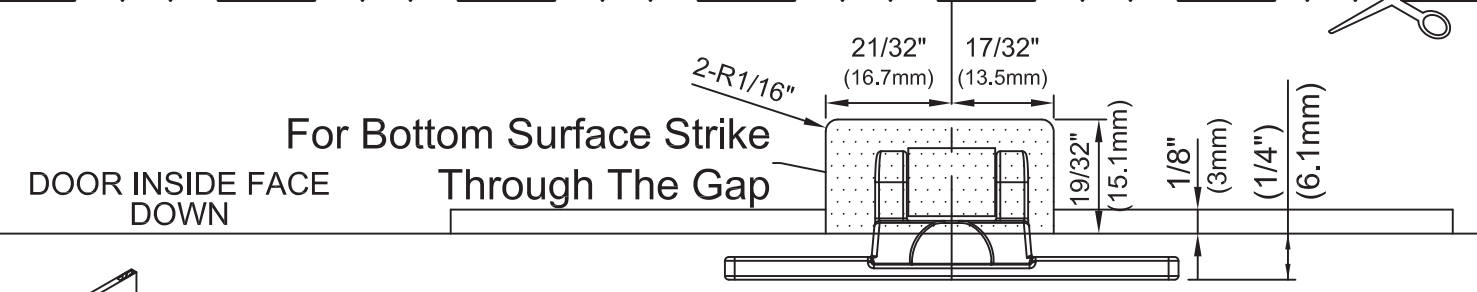
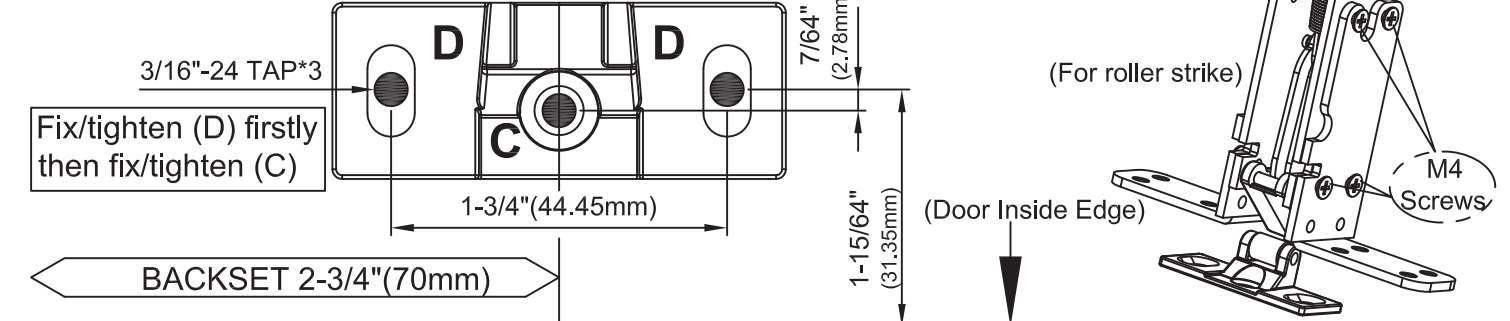
**TEMPLATE of Bottom Latch Ass'y [ Bottom Strike (regular use) ] (1:1)**



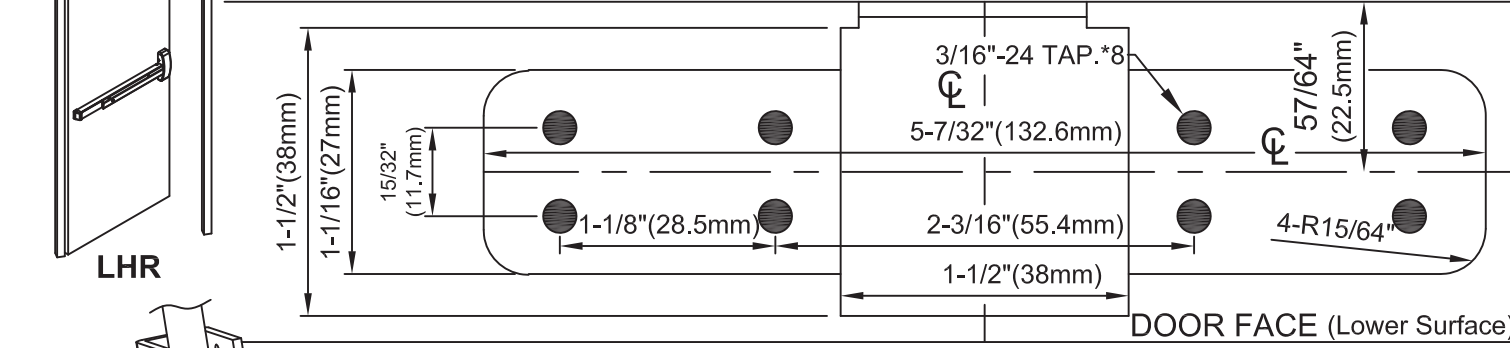
**TEMPLATE of Bottom Latch Housing Ass'y [ Bottom Mounting Plate ] (1:1)**



**TEMPLATE of Bottom Latch [ Surface Strike ] (1:1)**



**TEMPLATE of Bottom Latch Housing Ass'y [ Bottom Mounting Plate ] (1:1)**



**TEMPLATE of Bottom Latch [ Surface Strike ] (1:1)**

