

Stainless Steel Pull Handle





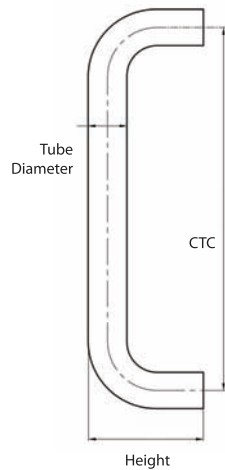
Unison Architectural Hardware is a family owned and operated manufacturer with 15 years experience manufacturing unique contemporary designs for the architectural hardware industry. We have forged successful partnerships with our customers by offering outstanding customer service from inception to completion of their construction project requirements.

Our sustainable stainless steel materials and exceptional engineering are integral partners in our INOX hardware line which is distributed throughout the United States, Canada, Europe, Latin America, South Africa and the Southeast Asian markets.

INOX products have evolved with the changing market place to offer a complete selection of hardware from Lever Handles with various trim options, Mortise Cylinder Locks, Pull Handles and a wide range of accessories which were created for the residential, commercial and hospitality markets.

Only the finest materials are used by our manufacturing team in the creation of products that meet or exceed the standards of a demanding construction market. Not only do we consistently test and inspect our product internally, our key products are fully tested and certified by accredited independent bodies such as Exova / Warrington Certification, BHMA / UL Laboratories for standard norms such as CE Marking, Certifire and ANSI / UL Ratings.

Material: Stainless Steel



INOX U Shape Pull Handle

- Single Sided and Back to Back type available
- Suitable for most door type with different door thickness
- Can be fitted together with concealed rose pack (sold separately) or pull handle on plate available on request
- Satin (US32D) or Polished (US32) Stainless Steel finish as standard and other finishes available on request

Item No.	Description	Finish	Tube Diameter	CTC	Height
PHIX-U19150BF-32D	INOX 19mm x 150mm U-Shape Pull Handle with Bolt Through Fixing	Satin / US32D	19mm	150mm	65mm
PHIX-U19150BF-32	INOX 19mm x 150mm U-Shape Pull Handle with Bolt Through Fixing	Polished / US32	19mm	150mm	65mm
PHIX-U19225BF-32D	INOX 19mm x 225mm U-Shape Pull Handle with Bolt Through Fixing	Satin / US32D	19mm	225mm	65mm
PHIX-U19225BF-32	INOX 19mm x 225mm U-Shape Pull Handle with Bolt Through Fixing	Polished / US32	19mm	225mm	65mm
PHIX-U19300BF-32D	INOX 19mm x 300mm U-Shape Pull Handle with Bolt Through Fixing	Satin / US32D	19mm	300mm	65mm
PHIX-U19300BF-32	INOX 19mm x 300mm U-Shape Pull Handle with Bolt Through Fixing	Polished / US32	19mm	300mm	65mm
PHIX-U19425BF-32D	INOX 19mm x 425mm U-Shape Pull Handle with Bolt Through Fixing	Satin / US32D	19mm	425mm	79mm
PHIX-U19425BF-32	INOX 19mm x 425mm U-Shape Pull Handle with Bolt Through Fixing	Polished / US32	19mm	425mm	79mm
PHIX-U19600BF-32D	INOX 19mm x 600mm U-Shape Pull Handle with Bolt Through Fixing	Satin / US32D	19mm	600mm	79mm
PHIX-U19600BF-32	INOX 19mm x 600mm U-Shape Pull Handle with Bolt Through Fixing	Polished / US32	19mm	600mm	79mm

Pull Handles

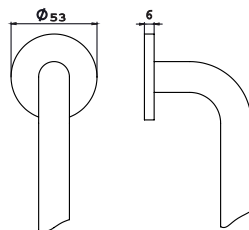
Item No.	Description	Finish	Tube Diameter	CTC	Height
PHIX-U19150BB-32D	INOX 19mm x 150mm U-Shape Pull Handle with Back to Back Fixing	Satin / US32D	19mm	150mm	65mm
PHIX-U19150BB-32	INOX 19mm x 150mm U-Shape Pull Handle with Back to Back Fixing	Polished / US32	19mm	150mm	65mm
PHIX-U19225BB-32D	INOX 19mm x 225mm U-Shape Pull Handle with Back to Back Fixing	Satin / US32D	19mm	225mm	65mm
PHIX-U19225BB-32	INOX 19mm x 225mm U-Shape Pull Handle with Back to Back Fixing	Polished / US32	19mm	225mm	65mm
PHIX-U19300BB-32D	INOX 19mm x 300mm U-Shape Pull Handle with Back to Back Fixing	Satin / US32D	19mm	300mm	65mm
PHIX-U19300BB-32	INOX 19mm x 300mm U-Shape Pull Handle with Back to Back Fixing	Polished / US32	19mm	300mm	65mm
PHIX-U19425BB-32D	INOX 19mm x 425mm U-Shape Pull Handle with Back to Back Fixing	Satin / US32D	19mm	425mm	79mm
PHIX-U19425BB-32	INOX 19mm x 425mm U-Shape Pull Handle with Back to Back Fixing	Polished / US32	19mm	425mm	79mm
PHIX-U19600BB-32D	INOX 19mm x 600mm U-Shape Pull Handle with Back to Back Fixing	Satin / US32D	19mm	600mm	79mm
PHIX-U19600BB-32	INOX 19mm x 600mm U-Shape Pull Handle with Back to Back Fixing	Polished / US32	19mm	600mm	79mm

Item No.	Description	Finish	Tube Diameter	CTC	Height
PHIX-U22150BF-32D	INOX 22mm x 150mm U-Shape Pull Handle with Bolt Through Fixing	Satin / US32D	22mm	150mm	68mm
PHIX-U22150BF-32	INOX 22mm x 150mm U-Shape Pull Handle with Bolt Through Fixing	Polished / US32	22mm	150mm	68mm
PHIX-U22225BF-32D	INOX 22mm x 225mm U-Shape Pull Handle with Bolt Through Fixing	Satin / US32D	22mm	225mm	68mm
PHIX-U22225BF-32	INOX 22mm x 225mm U-Shape Pull Handle with Bolt Through Fixing	Polished / US32	22mm	225mm	68mm
PHIX-U22300BF-32D	INOX 22mm x 300mm U-Shape Pull Handle with Bolt Through Fixing	Satin / US32D	22mm	300mm	68mm
PHIX-U22300BF-32	INOX 22mm x 300mm U-Shape Pull Handle with Bolt Through Fixing	Polished / US32	22mm	300mm	68mm
PHIX-U22425BF-32D	INOX 22mm x 425mm U-Shape Pull Handle with Bolt Through Fixing	Satin / US32D	22mm	425mm	82mm
PHIX-U22425BF-32	INOX 22mm x 425mm U-Shape Pull Handle with Bolt Through Fixing	Polished / US32	22mm	425mm	82mm
PHIX-U22600BF-32D	INOX 22mm x 600mm U-Shape Pull Handle with Bolt Through Fixing	Satin / US32D	22mm	600mm	82mm
PHIX-U22600BF-32	INOX 22mm x 600mm U-Shape Pull Handle with Bolt Through Fixing	Polished / US32	22mm	600mm	82mm

Pull Handles

Item No.	Description	Finish	Tube Diameter	CTC	Height
PHIX-U22150BB-32D	INOX 22mm x 150mm U-Shape Pull Handle with Back to Back Fixing	Satin / US32D	22mm	150mm	68mm
PHIX-U22150BB-32	INOX 22mm x 150mm U-Shape Pull Handle with Back to Back Fixing	Polished / US32	22mm	150mm	68mm
PHIX-U22225BB-32D	INOX 22mm x 225mm U-Shape Pull Handle with Back to Back Fixing	Satin / US32D	22mm	225mm	68mm
PHIX-U22225BB-32	INOX 22mm x 225mm U-Shape Pull Handle with Back to Back Fixing	Polished / US32	22mm	225mm	68mm
PHIX-U22300BB-32D	INOX 22mm x 300mm U-Shape Pull Handle with Back to Back Fixing	Satin / US32D	22mm	300mm	68mm
PHIX-U22300BB-32	INOX 22mm x 300mm U-Shape Pull Handle with Back to Back Fixing	Polished / US32	22mm	300mm	68mm
PHIX-U22425BB-32D	INOX 22mm x 425mm U-Shape Pull Handle with Back to Back Fixing	Satin / US32D	22mm	425mm	82mm
PHIX-U22425BB-32	INOX 22mm x 425mm U-Shape Pull Handle with Back to Back Fixing	Polished / US32	22mm	425mm	82mm
PHIX-U22600BB-32D	INOX 22mm x 600mm U-Shape Pull Handle with Back to Back Fixing	Satin / US32D	22mm	600mm	82mm
PHIX-U22600BB-32	INOX 22mm x 600mm U-Shape Pull Handle with Back to Back Fixing	Polished / US32	22mm	600mm	82mm

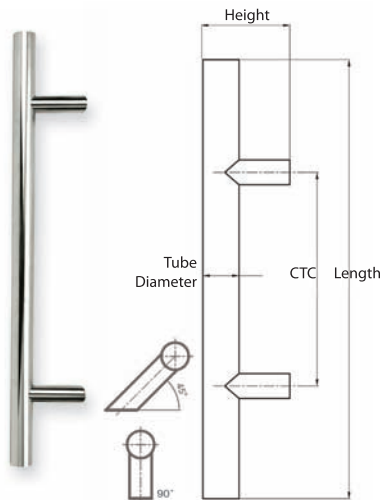
INOX U Shape Pull Handle Concealed Rose Pack



Item No.	Description	Finish	Rose Diameter	Rose Height
PHIX-U19RPK-32D	INOX 19mm U-Shape Concealed Rose Fixing Packing 1 pair	Satin / US32D	53mm	6mm
PHIX-U19RPK-32	INOX 19mm U-Shape Concealed Rose Fixing Packing 1 pair	Satin / US32	53mm	6mm
PHIX-U22RPK-32D	INOX 22mm U-Shape Concealed Rose Fixing Packing 1 pair	Satin / US32D	53mm	6mm
PHIX-U22RPK-32	INOX 22mm U-Shape Concealed Rose Fixing Packing 1 pair	Satin / US32	53mm	6mm

Pull Handles

Material: Stainless Steel



INOX T Shape Pull Handle

- Single Sided and Back to Back type available
- 90° straight type and 45° degree angled pegs type available
- Suitable for most door type with different door thickness
- Satin (US32D) Stainless Steel finish as standard and other finishes available on request

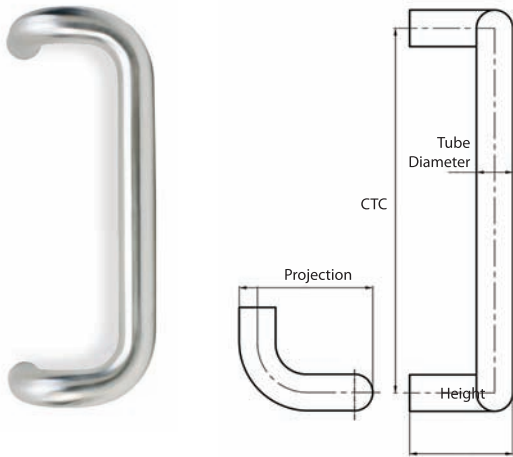
Item No.	Description	Finish	Tube Diameter	CTC	Height	Projection	Degree
PHIX-T19300BF-32D	INOX 19mm x 300mm T-Shape Pull Handle with Bolt Through Fixing	Satin / US32D	19mm	300mm	59mm	-	90
PHIX-T19400BF-32D	INOX 19mm x 400mm T-Shape Pull Handle with Bolt Through Fixing	Satin / US32D	19mm	400mm	59mm	-	90
PHIX-T19500BF-32D	INOX 19mm x 500mm T-Shape Pull Handle with Bolt Through Fixing	Satin / US32D	19mm	500mm	59mm	-	90
PHIX-T32300BF-32D	INOX 32mm x 300mm T-Shape Pull Handle with Bolt Through Fixing	Satin / US32D	32mm	300mm	87mm	-	90
PHIX-T32400BF-32D	INOX 32mm x 400mm T-Shape Pull Handle with Bolt Through Fixing	Satin / US32D	32mm	400mm	87mm	-	90
PHIX-T32500BF-32D	INOX 32mm x 500mm T-Shape Pull Handle with Bolt Through Fixing	Satin / US32D	32mm	500mm	87mm	-	90
PHIX-T32300BF-45-32D	INOX 32mm x 300mm T-Shape Pull Handle with Bolt Through Fixing 45° Pegs	Satin / US32D	32mm	300mm	97mm	100mm	45
PHIX-T32400BF-45-32D	INOX 32mm x 400mm T-Shape Pull Handle with Bolt Through Fixing 45° Pegs	Satin / US32D	32mm	400mm	97mm	100mm	45
PHIX-T32500BF-45-32D	INOX 32mm x 500mm T-Shape Pull Handle with Bolt Through Fixing 45° Pegs	Satin / US32D	32mm	500mm	97mm	100mm	45

Pull Handles

Item No.	Description	Finish	Tube Diameter	CTC	Height	Projection	Degree
PHIX-T19300BB-32D	INOX 19mm x 300mm T-Shape Pull Handle with Back to Back Fixing	Satin / US32D	19mm	300mm	59mm	-	90
PHIX-T19400BB-32D	INOX 19mm x 400mm T-Shape Pull Handle with Back to Back Fixing	Satin / US32D	19mm	400mm	59mm	-	90
PHIX-T19500BB-32D	INOX 19mm x 500mm T-Shape Pull Handle with Back to Back Fixing	Satin / US32D	19mm	500mm	59mm	-	90
PHIX-T32300BB-32D	INOX 32mm x 300mm T-Shape Pull Handle with Back to Back Fixing	Satin / US32D	32mm	300mm	87mm	-	90
PHIX-T32400BB-32D	INOX 32mm x 400mm T-Shape Pull Handle with Back to Back Fixing	Satin / US32D	32mm	400mm	87mm	-	90
PHIX-T32500BB-32D	INOX 32mm x 500mm T-Shape Pull Handle with Back to Back Fixing	Satin / US32D	32mm	500mm	87mm	-	90
PHIX-T32300BB-45-32D	INOX 32mm x 300mm T-Shape Pull Handle with Back to Back Fixing 45° Pegs	Satin / US32D	32mm	300mm	97mm	100mm	45
PHIX-T32400BB-45-32D	INOX 32mm x 400mm T-Shape Pull Handle with Back to Back Fixing 45° Pegs	Satin / US32D	32mm	400mm	97mm	100mm	45
PHIX-T32500BB-45-32D	INOX 32mm x 500mm T-Shape Pull Handle with Back to Back Fixing 45° Pegs	Satin / US32D	32mm	500mm	97mm	100mm	45

Pull Handles

Material: Stainless Steel



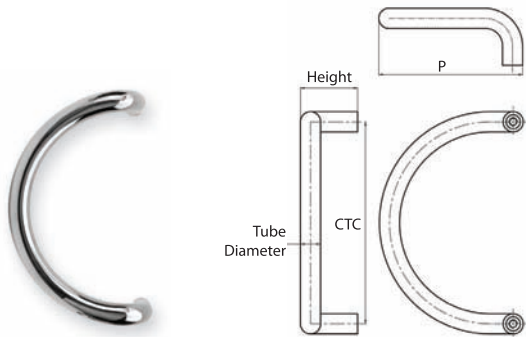
INOX D Shape Pull Handle

- Single Sided and Back to Back type available
- Suitable for most door type with different door thickness
- Satin (US32D) Stainless Steel finish as standard and other finishes available on request

Item No.	Description	Finish	Tube Diameter	CTC	Height	Projection
PHIX-D25250BF-32D	INOX 25mm x 250mm D-Shape Pull Handle with Bolt Through Fixing	Satin / US32D	25mm	250mm	115mm	70mm
PHIX-D25300BF-32D	INOX 25mm x 300mm D-Shape Pull Handle with Bolt Through Fixing	Satin / US32D	25mm	300mm	115mm	70mm
PHIX-D32300BF-32D	INOX 32mm x 300mm D-Shape Pull Handle with Bolt Through Fixing	Satin / US32D	32mm	300mm	148mm	85mm
PHIX-D32450BF-32D	INOX 32mm x 450mm D-Shape Pull Handle with Bolt Through Fixing	Satin / US32D	32mm	450mm	148mm	85mm

Item No.	Description	Finish	Tube Diameter	CTC	Height	Projection
PHIX-D25250BB-32D	INOX 25mm x 250mm D-Shape Pull Handle with Back to Back Fixing	Satin / US32D	25mm	250mm	115mm	70mm
PHIX-D25300BB-32D	INOX 25mm x 300mm D-Shape Pull Handle with Back to Back Fixing	Satin / US32D	25mm	300mm	115mm	70mm
PHIX-D32300BB-32D	INOX 32mm x 300mm D-Shape Pull Handle with Back to Back Fixing	Satin / US32D	32mm	300mm	148mm	85mm
PHIX-D32450BB-32D	INOX 32mm x 450mm D-Shape Pull Handle with Back to Back Fixing	Satin / US32D	32mm	450mm	148mm	85mm

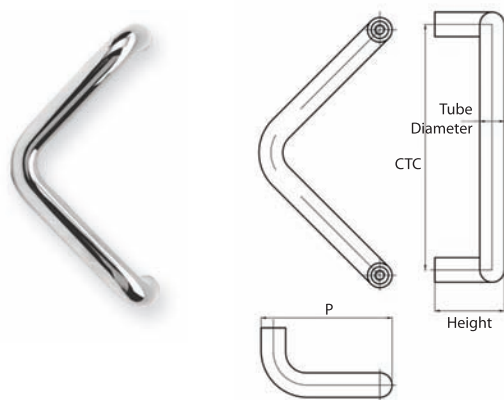
Material: Stainless Steel



INOX C Shape Pull Handle

- Single Sided and Back to Back type available
- Suitable for most door type with different door thickness
- Satin (US32D) Stainless Steel finish as standard and other finishes available on request

Item No.	Description	Finish	Tube Diameter	CTC	Height	Projection
PHIX-C32300BF-32D	INOX 32mm x 300mm C-Shape Pull Handle with Bolt Through Fixing	Satin / US32D	32mm	300mm	85mm	206mm
PHIX-C32300BB-32D	INOX 32mm x 300mm C-Shape Pull Handle with Back to Back Fixing	Satin / US32D	32mm	300mm	85mm	206mm



INOX V Shape Pull Handle

- Single Sided and Back to Back type available
- Suitable for most door type with different door thickness
- Satin (US32D) Stainless Steel finish as standard and other finishes available on request

Item No.	Description	Finish	Tube Diameter	CTC	Height	Projection
PHIX-V32300BF-32D	INOX 32mm x 300mm V-Shape Pull Handle with Bolt Through Fixing	Satin / US32D	32mm	300mm	85mm	150mm
PHIX-V32300BB-32D	INOX 32mm x 300mm V-Shape Pull Handle with Back to Back Fixing	Satin / US32D	32mm	300mm	85mm	150mm



Unison Hardware Inc.

6 Wayne Court, Sacramento, CA 95829, USA

Tel: +1.916.388.1888 Fax: +1.916.388.8322

E-mail: inoxglobal@unisonhardware.com www.inoxglobal.com