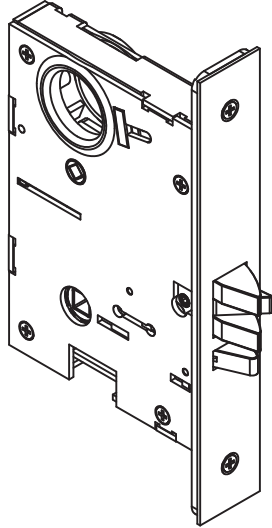
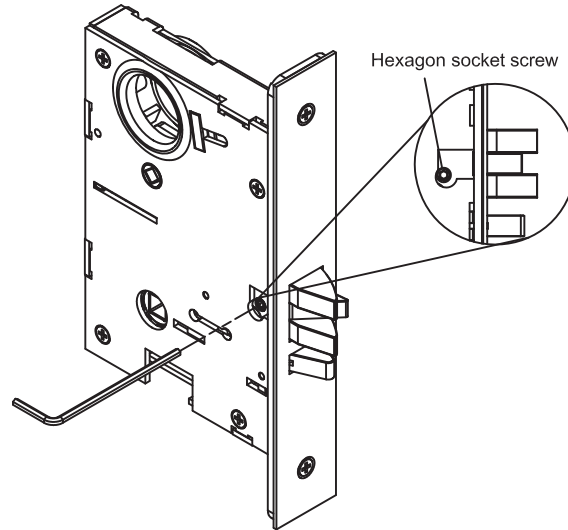


INOX® ED93F-MED & ED93-MED Mortise Change Handing Instructions (Reverse Step for RHR)

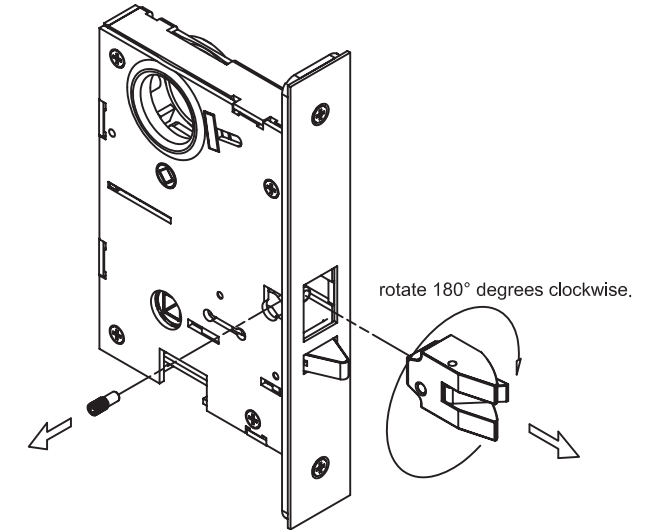
1. Factory pre-set LHR.



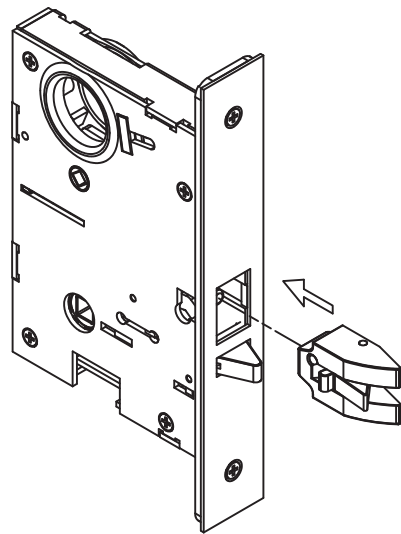
2. Use hex wrench to unscrew the latchbolt.



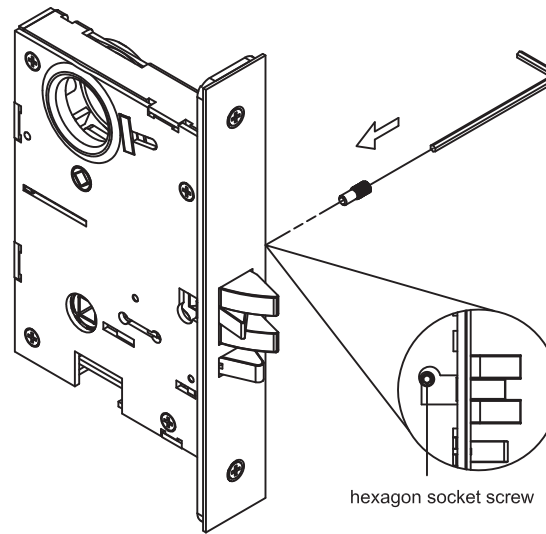
3. Pull out the latchbolt, and turn 180° degree.



4. Then position the latchbolt back to the place.



5. Fasten the latchbolt.



6. Done, now changed to RHR.

