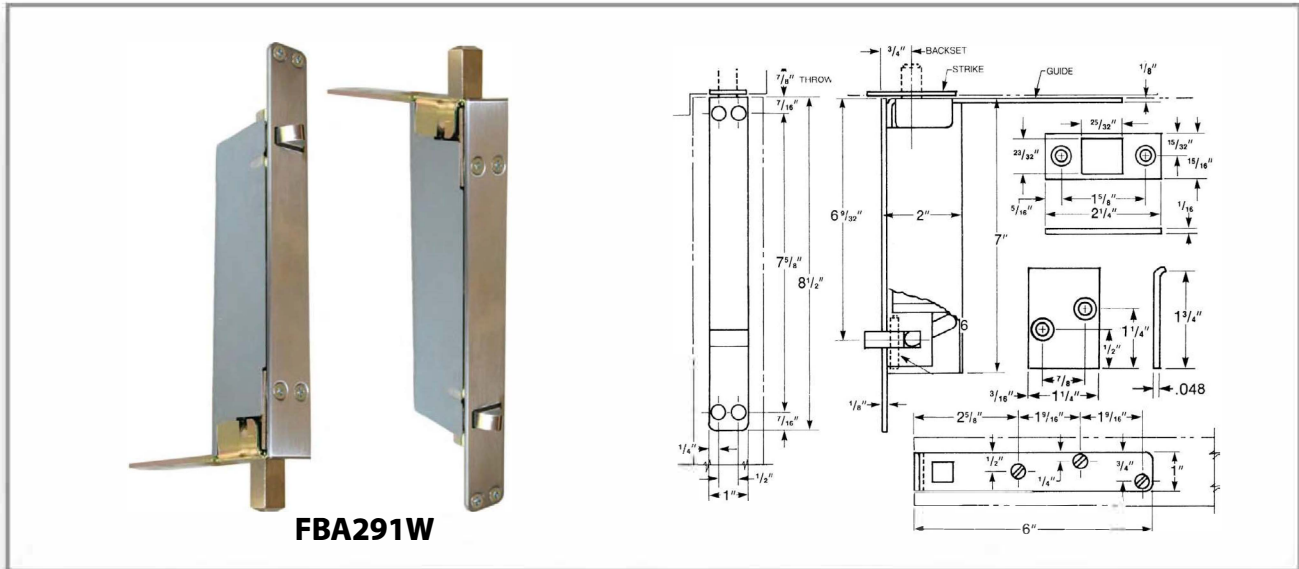


## Automatic Flushbolts for Wood Doors

FBA291W



### Features

- FBA291W: Fully Automatic, Non-Handed
- Automatic 3/4" Throw and 3/4" Vertical Adjustment
- Spring Override in Case of Misalignment
- Steel Body and Stainless Steel Components
- Bolt Housing Screws #8 x 3/4" SM
  - #8 -32 x 1/4" MS
- Strike Screws #8 x 3/4" SM
- Bolt Guide Screws #10 x 7/8" SM
- Rub Plate Screws #8 x 3/4" SM
- Listed up to 1-1/2 hours on Composite Wood Doors up to 8 feet

### Finishes

- Stocking: US26D (626) Satin Chrome  
 Special Order:
- US3 (605) Bright Brass
  - US4 (606) Satin Brass
  - US10B (613) Oil Rubbed Bronze
  - US26 (625) Bright Chrome

### Warranty

3 Year Warranty

### Specifications

Automatic Flushbolts for composite wood shall be INOX® model number FBA291W and body shall be made of steel and stainless steel components. Flushbolt shall be automatically retracting when active door is opened and projected into the frame header or floor when the door is closed. Bolts shall project 3/4" from the top or bottom edge of the door with 3/4" adjustment.

### Code Compliance



- ANSI - A156.3 Type 25
- Conforms to UL 10C and UBC 7-2
- ANSI A117.1 and ADA for barrier-free accessibility
- C-UBC-California Amended Uniform Builders Code
- NFPA 80 - National Fire Protection Association
- NFPA 101 - National Fire Protection. - Life Safety