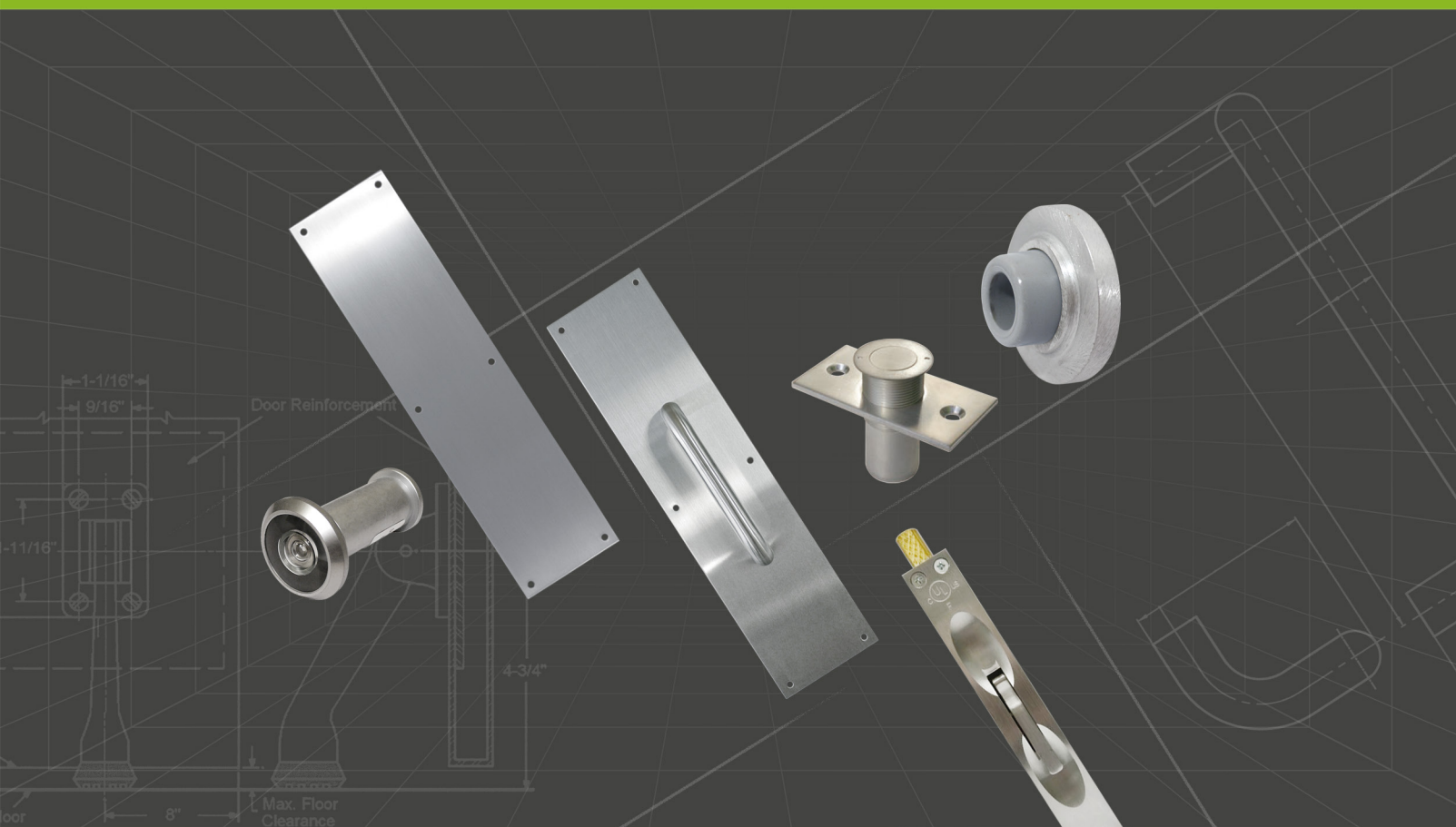


ANSI/BHMA GRADE 1 Hardware



Architectural Trim
Auxiliary Hardware

CONTENTS



- Page 01** Push and Pull Plates
- Page 02** Kick and Armor Plates
- Page 03** ADA Surface Pulls
- Page 04** Surface Pulls
- Page 06** Door Stops
- Page 07** Door Stop / Wall Bumpers
- Page 08** Door Stop, Floor Mount
- Page 09** Door Holders
- Page 10** Manual Flushbolt for Metal Doors
- Page 11** Manual Flushbolt for Wood Doors
- Page 12** Automatic Flushbolt for Metal Doors
- Page 13** Automatic Flushbolts for Wood Doors
- Page 14** Dust Proof Strike
- Page 15** Coordinator
- Page 16** Coordinator Accessories
- Page 17** Door Guards
- Page 18** Door Viewer
- Page 19** Commercial Roller Latches
- Page 20** Magnetic Door Holders
- Page 21** Cross References



Disclaimer: All information in this catalog has been deemed accurate as of the date of printing. We are continuously improving and expanding our line in an effort to offer our clients the finest quality products and services; therefore, Unison Hardware, Inc., reserves the right to alter this information or correct printing errors at any time.

©2022 June Unison Hardware, Inc. All Rights Reserved.

PUSH AND PULL PLATES



PPN4016R



PPN4016

SPECIFICATIONS

Overall	6-3/4" Length
CTC	6"
Thickness	All plates are 16 gauge (.050) thick
Material	Stainless Steel
Packing	Plates individually wrapped with mounting screws Pull plates and handles have mounting screws for 1-3/4" thickness door; other screws are available on request

FEATURES

INOX Push and Pull Plates are manufactured from Stainless Steel for beauty and longevity. Easily installed and easy to clean, and all plates are provided with Phillips sheet metal screws plated to match the plate finish.

CODE COMPLIANCE

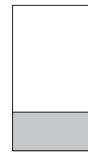


ANSI A156.6 - J301 Push Plate and J405 Pull Plates
ANSI A117.1 and ADA for barrier-free accessibility
C-UBC - California Amended Uniform Builders Code
NFPA 80 - National Fire Protection Association
NFPA-101 National Fire Protection Assoc. - Life Safety

Description	Part Number	Standard Finish
Push Plate: 4" x 16" (ANSI: J301)	PPN4016	32D Satin Stainless Steel
Pull Plate: 4" x 16" (ANSI: J405)	PPN4016R	32D Satin Stainless Steel

For additional finish options not listed, contact Sales Department for MOQ and lead times

KICK PLATES, MOP PLATES, ARMOR PLATES



Kick



Armor

Armor Plate, Kick Plate

SPECIFICATIONS

Thickness	All plates are 16 gauge (.050) thick
KPN35 Series	
Material	304 Grade Stainless Steel
Spec	4 edge bevel with countersunk holes
KPN Series	
Material	400 Grade Stainless Steel (No Nickel)
Spec	No bevel or countersunk holes

Other sizes available upon request

FEATURES

INOX Armor Plates add immeasurable protection and longer life to doors in commercial, multi-use, and healthcare facilities. Complies with codes and regulations for armor plates.

CODE COMPLIANCE



ANSI 156.6 - J101, J102, J103 Metal
 ANSI - J102 Metal
 ANSI A117.1 and ADA for Barrier-Free Accessibility
 C-UBC California Amended Uniform Builders Code
 NFPA-80 National Fire Protection Association
 NFPA-101 National Fire Protection-Life Safety

Description	Part Number	Standard Finish
Kick Plate 8" x 34"	KPN0834	32D Satin Stainless Steel
Kick Plate 10" x 34"	KPN1034	32D Satin Stainless Steel
Kick Plate 12" x 34"	KPN1234	32D Satin Stainless Steel
Beveled Kick Plate 8" x 34"	KPN35-0834	32D Satin Stainless Steel
Beveled Kick Plate 10" x 34"	KPN35-1034	32D Satin Stainless Steel
Beveled Kick Plate 12" x 34"	KPN35-1234	32D Satin Stainless Steel

For additional finish options not listed, contact Sales Department for MOQ and lead times

ADA SURFACE PULLS



PHIX330.512.8



PHIX31108



PHIX30108



PHIX41714



PHIX45714

FEATURES

INOX PHIX ADA Door Pulls are made from tough, beautiful Stainless Steel and offer a minimum 1-1/2" finger clearance under the grip portion.

All pulls are provided with universal adaptor and M6 set screws as well as clear nylon washer and rubber inserts shall for application with glass doors.

CODE COMPLIANCE

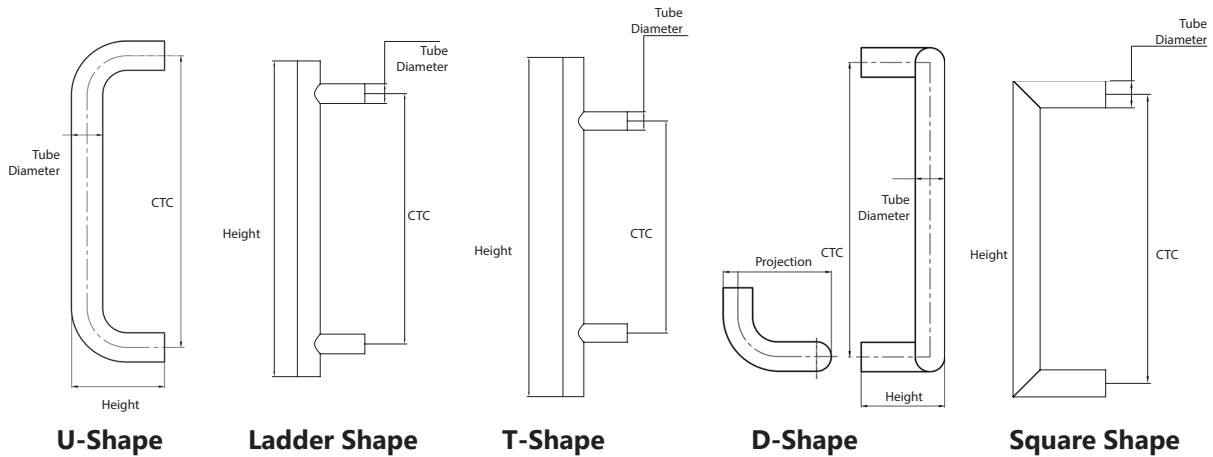


ANSI A156.6 – J401, J402, J406
 ANSI A117.1 – ADA for barrier free accessibility
 C-UBC - California Amended Uniform Builders Code
 NFPA 80 - National Fire Protection Association
 NFPA-101 National Fire Protection. - Life Safety

Length	CTC	Tube Dia.	Part Number	Standard Finish
8"	5"	7/8"	PHIX330.512.8	32D Satin Stainless Steel 32 Bright Stainless Steel 19G Graphite Black 26D Satin Chrome PVD4 Satin Brass
8-3/4"	8"	3/4"	PHIX31108	32D Satin Stainless Steel 32 Bright Stainless Steel 19G Graphite Black
8-3/4"	8"	3/4"	PHIX30108	32D Satin Stainless Steel 32 Bright Stainless Steel 19G Graphite Black
8-3/4"	7-1/4"	7/8"	PHIX41714	32D Satin Stainless Steel 32 Bright Stainless Steel 19G Graphite Black
7-3/4"	7-1/4"	7/8"	PHIX45714	32D Satin Stainless Steel 32 Bright Stainless Steel 19G Graphite Black

For additional finish options not listed, contact Sales Department for MOQ and lead times

SURFACE PULLS



FEATURES

INOXPHIX Door Pulls are crafted with classic, timeless style ideal for biophilic, ADA, and streamlined interior use.

All pulls were designed with a minimum 1-1/2" finger clearance under the grip portion and are provided with a universal adaptor and M6 set screws. Clear nylon washer and rubber inserts are included for glass door application.

CODE COMPLIANCE



ANSI A156.6 – J401, J402, J406

ANSI A117.1 – ADA for barrier free accessibility

C-UBC - California Amended Uniform Builders Code

NFPA 80 - National Fire Protection Association

NFPA-101 National Fire Protection. - Life Safety

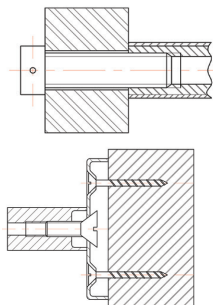
Type	Length	CTC	Tube Dia.	Part Number	Standard Finish
U-Shape	6-3/4"	6"	3/4"	PHIX31106	32D Satin Stainless Steel 32 Bright Stainless Steel
	8-3/4"	8"	3/4"	PHIX31108	32D Satin Stainless Steel 32 Bright Stainless Steel
	10-3/4"	10"	3/4"	PHIX31110	32D Satin Stainless Steel 32 Bright Stainless Steel
	12-3/4"	12"	3/4"	PHIX31112	32D Satin Stainless Steel 32 Bright Stainless Steel
	16-3/4"	16"	3/4"	PHIX311.16.1675	32D Satin Stainless Steel
	18-3/4"	18"	3/4"	PHIX311.18.1875	32D Satin Stainless Steel
	11"	10"	1"	PHIX31210	32D Satin Stainless Steel 32 Bright Stainless Steel
	13"	12"	1"	PHIX31212	32D Satin Stainless Steel 32 Bright Stainless Steel
	13-1/4"	12"	1-1/4"	PHIX31312	32D Satin Stainless Steel 32 Bright Stainless Steel
	19-1/4"	18"	1-1/4"	PHIX31318	32D Satin Stainless Steel 32 Bright Stainless Steel

For additional finish options not listed, contact Sales Department for MOQ and lead times

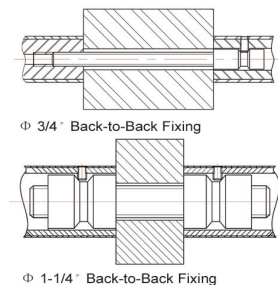
SURFACE PULLS

Type	Length	CTC	Tube Dia.	Part Number	Standard Finish
Ladder Shape	12"	9-1/2"	3/4"	PHIX330.912.12	32D Satin Stainless Steel
	16"	13-1/2"	3/4"	PHIX330.1312.16	32D Satin Stainless Steel
	18"	15-1/2"	3/4"	PHIX330.1512.18	32D Satin Stainless Steel
	16"	13-1/4"	1-1/4"	PHIX333.1325.16	32D Satin Stainless Steel
	18"	15-1/4"	1-1/4"	PHIX333.1525.18	32D Satin Stainless Steel
T-Shape 90°	16"	12"	1"	PHIX33212	32D Satin Stainless Steel
	16"	10"	1-1/4"	PHIX332.10.16	32D Satin Stainless Steel
	18"	10"	1-1/4"	PHIX33310	32D Satin Stainless Steel
	20"	12"	1-1/4"	PHIX33312	32D Satin Stainless Steel
	26"	18"	1-1/4"	PHIX33318	32D Satin Stainless Steel
	36"	33-1/4"	1-1/4"	PHIX333.3325.36	32D Satin Stainless Steel
	48"	45-1/4"	1-1/4"	PHIX333.4525.48	32D Satin Stainless Steel
	56"	48"	1-1/4"	PHIX33348	32D Satin Stainless Steel
	68"	60"	1-1/4"	PHIX33360	32D Satin Stainless Steel
72"	64"	1-1/4"	PHIX33364	32D Satin Stainless Steel	
T-Shape 45°	18"	10"	1-1/4"	PHIX34310	32D Satin Stainless Steel 32 Bright Stainless Steel
	20"	12"	1-1/4"	PHIX34312	32D Satin Stainless Steel 32 Bright Stainless Steel
	26"	18"	1-1/4"	PHIX34318	32D Satin Stainless Steel 32 Bright Stainless Steel
D-Shape	11"	10"	1"	PHIX32210	32D Satin Stainless Steel 32 Bright Stainless Steel
	13"	12"	1"	PHIX32212	32D Satin Stainless Steel 32 Bright Stainless Steel
	13-1/4"	12"	1-1/4"	PHIX32312	32D Satin Stainless Steel 32 Bright Stainless Steel
	19-1/4"	18"	1-1/4"	PHIX32318	32D Satin Stainless Steel 32 Bright Stainless Steel
Square Shape	8-3/4"	8"	3/4"	PHIX301.8.875	32D Satin Stainless Steel
	16-3/4"	16"	3/4"	PHIX301.16.1675	32D Satin Stainless Steel
	12-3/4"	12"	1"	PHIX45012	32D Satin Stainless Steel
	18-1/4"	18"	1-1/4"	PHIX303.18.1925	32D Satin Stainless Steel

For additional finish options not listed, contact Sales Department for MOQ and lead times



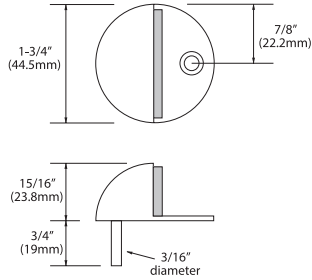
All Surface Pulls are available as either **Bolt-Thru** consists of 1 single pull + 1 Bolt-Thru fixing pack (function code: BT) or **Back-to-Back** consists of 2 single pulls + 1 Back-to-Back fixing pack (function code: BTB)



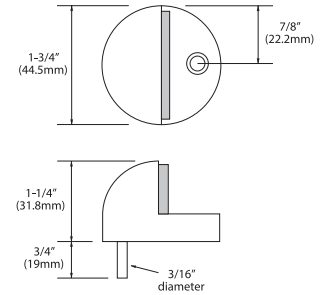
DOOR STOPS



DS436
Low Dome Stop



DS438
High Dome Stop



SPECIFICATIONS

Material	Cast Brass or Stainless Steel
Packing	Individually wrapped with mounting screws

FEATURES

INOX Low and High Dome Stops are beautifully designed and durable for commercial, hospitality, and mixed-use applications. Each Stop is provided with steel Phillips sheet metal screws plated to match the finish.

CODE COMPLIANCE

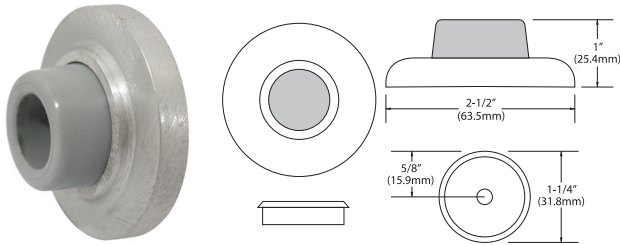


ANSI 156.16 - L12141, L12161, L52141, L52161
 C-UBC - California Amended Uniform Builders Code
 NFPA 80 - National Fire Protection Association
 NFPA-101 National Fire Protection. - Life Safety

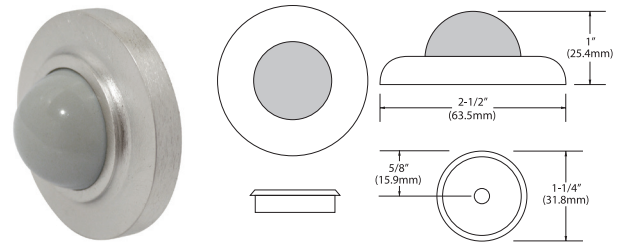
Description	Part Number	Standard Finish
1/4" Rise x 1 Low Dome Stop	DS436	26D Satin Chrome
1/2" Rise x 1-1/4" High Dome Stop	DS438	26D Satin Chrome

For additional finish options not listed, contact Sales Department for MOQ and lead times

DOOR STOPS / WALL BUMPERS



DS401
Concave Wall Stop



DS406
Convex Wall Stop

SPECIFICATIONS

Material	Cast Brass or Wrought Stainless Steel
Packing	Stops Individually wrapped with mounting screws

FEATURES

INOX Wall Bumpers are made of tough, reliable pressure-cast zinc and are provided with steel Phillips sheet metal screws plated to match the finish.

CODE COMPLIANCE



ANSI 156.16 - L12101, L12251, L52101, L52251
 C-UBC - California Amended Uniform Builders Code
 NFPA 80 - National Fire Protection Association
 NFPA-101 National Fire Protection - Life Safety

Description

Concave Door Stops, Wall Mount
 Convex Door Stops, Wall Mount

Part Number

DS401
DS406

Standard Finish

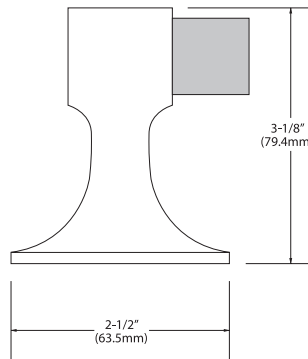
26D Satin Chrome
 26D Satin Chrome

For additional finish options not listed, contact Sales Department for MOQ and lead times

DOOR STOP, FLOOR MOUNT



DS444
Floor Mount Stop



SPECIFICATIONS

Material	Solid Cast Brass
Packing	Stops Individually wrapped with mounting screws

FEATURES

INOX DS444 Stops are heavy duty and built with rugged but beautiful materials for dependability and long life. Steel sheet metal screws plated to match finish are included.

CODE COMPLIANCE



A156.16 - L12131
 Fed Spec # 1328E
 C-UBC - California Amended Uniform Builders Code
 NFPA 80 - National Fire Protection Association
 NFPA-101 National Fire Protection. - Life Safety

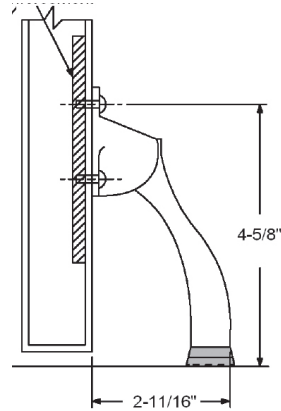
Description	Part Number	Standard Finish
3-1/8" High Door Stop, Floor Mount (ANSI:L12131)	DS444	26D Satin Chrome

For additional finish options not listed, contact Sales Department for MOQ and lead times

DOOR HOLDERS



DH235
Drop Down Door Holder



SPECIFICATIONS

Spec	5" Cast Brass Holder Stop
Packing	Individually wrapped with mounting screws Polybagged 4 sheet metal screws

FEATURES

INOX Door Holders are the perfect drop-down solution to ensure the door stays open when needed. Includes steel sheet metal screws plated to match finish.

CODE COMPLIANCE

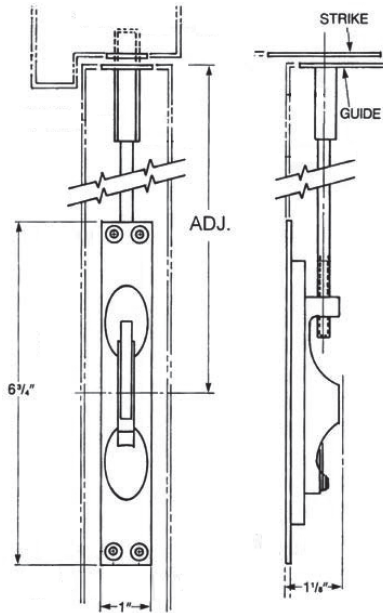


ANSI A156.16 - L11382
NFPA 80 - National Fire Protection Association
NFPA-101 National Fire Protection. - Life Safety

Description	Part Number	Standard Finish
Drop Down Door Holder (ANSI L11382)	DH235	26D Satin Chrome

For additional finish options not listed, contact Sales Department for MOQ and lead times

MANUAL FLUSHBOLT FOR METAL DOORS



FEATURES

INOX Flush Bolts feature rugged forged brass construction for dependability and strength.

The powerful, easy to use spring-loaded lever projects or retracts the bolt.

FB197M

SPECIFICATIONS

Handing	Non-Handed
Spec	5/8" throw with 7/8" vertical adjustment 12" rod to fit standard ANSI preparation Spring-loaded lever to project or retract bolt Forged brass construction
Test	Listed up to 3 hours on hollow metal and steel-covered composite doors up to 8 feet
Bolt Housing Screws	#8 x 32 x 1/2" MS #8 x 1" SM
Strike Screws	#8 x 32 x 1/2" MS #8 x 1" SM
Bolt Guide Screws	#8 x 32 x 1/2" MS #8 x 1" SM

CODE COMPLIANCE



FED. SPEC. - 1049
ANSI A156.16 - L14251
NFPA80 - National Fire Protection Association

Description

Manual Flush Bolt (Metal Door) ANSI: L14251

Part Number

FB197M

Standard Finish

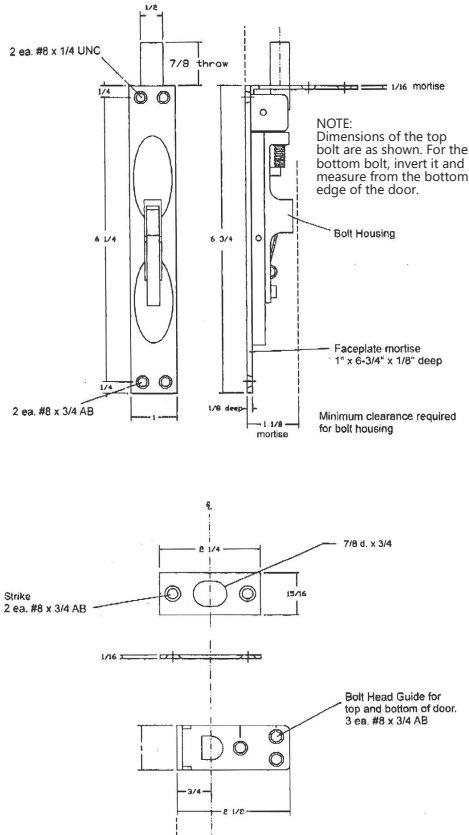
26D Satin Chrome
10B Oil Rubbed Bronze
3 Bright Brass

For additional finish options not listed, contact Sales Department for MOQ and lead times

MANUAL FLUSHBOLT FOR WOOD DOORS



FB196W



SPECIFICATIONS

Handing	Non-handed
Spec	5/8" throw with 7/8" vertical Adjustment Spring-loaded lever to project or retract bolt Forged brass construction
Test	Listed up to 1-1/2 hours on Wood and Composite Doors up to 8 feet
Bolt Housing Screws	#8 x 32 x 1/2" MS #8 x 1" SM
Strike Screws	#8 x 32 x 1/2" MS #8 x 1" SM
Bolt Guide Screws	#8 x 32 x 1/2" MS #8 x 1" SM

CODE COMPLIANCE



FED.SPEC. - 1049
ANSI A156.16 - L14261
NFPA80 - National Fire Protection Association

FEATURES

INOX Flush Bolts feature rugged forged brass construction for dependability and strength.

The powerful, easy to use spring-loaded lever projects or retracts the bolt.

Description

Manual Flush Bolt (Wood Door) ANSI:L14251

Part Number

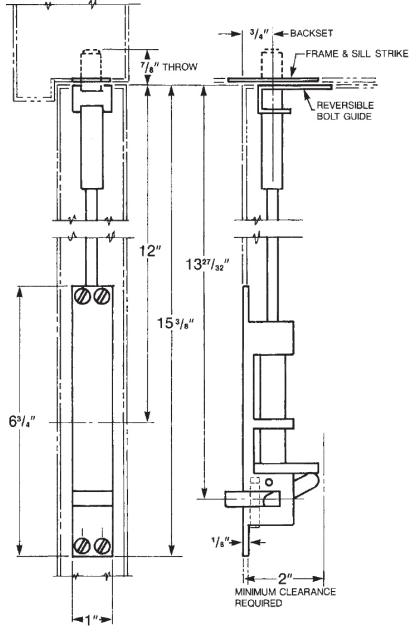
FB196W

Standard Finish

26D Satin Chrome
10B Oil Rubbed Bronze
3 Bright Brass

For additional finish options not listed, contact Sales Department for MOQ and lead times

AUTOMATIC FLUSHBOLTS FOR METAL DOORS



FEATURES

INOX Flushbolt is projected into frame header or floor when door is closed, and automatically retracts when active door is opened.

The Steel body with Stainless Steel components ensures reliability with fully automatic, non-handed operation.

SPECIFICATIONS

Handing	Non-handed
Spec	Automatic 3/4" throw with 1" vertical adjustment 12" rod to fit standard ANSI preparation
Test	Listed up to 3 hours on hollow metal and steel-covered composite doors up to 8 feet
Spring	Spring-loaded lever to project or retract bolt Spring override in case of misalignment
Material	Steel body and Stainless Steel components
Bolt Housing Screws	#8 x 32 x 3/4" MS #8 x 1" SM
Strike Screws	#8 x 32 x 3/4" MS #8 x 1" SM
Bolt Guide Screws	#8 x 32 x 3/4" MS #8 x 1" SM

CODE COMPLIANCE



ANSI - A156.3 Type 25
ANSIA117.1 and ADA for barrier-free accessibility
C-UBC-California Amended Uniform Builders Code
NFPA80 - National Fire Protection Association
NFPA101 - National Fire Protection - Life Safety

FBA292M

Description

Auto Flush Bolt (Metal Door)

Part Number

FBA292M

Standard Finish

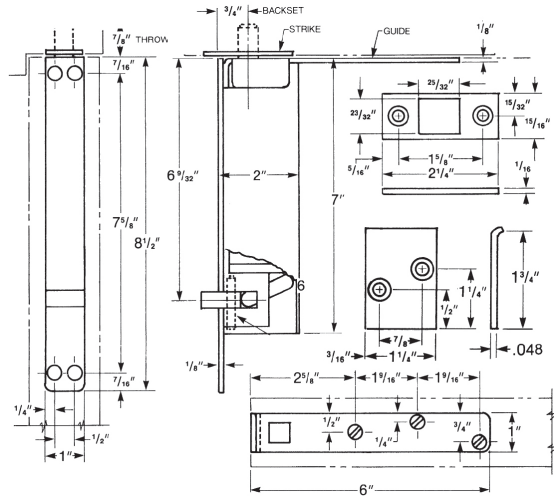
32D Satin Stainless Steel

For additional finish options not listed, contact Sales Department for MOQ and lead times

AUTOMATIC FLUSHBOLTS FOR WOOD DOORS



FBA291W



SPECIFICATIONS

Handing	Non-handed
Spec	Automatic 3/4" throw and 3/4" vertical adjustment
Test	Listed up to 1-1/2 hours on Composite Wood Doors up to 8 feet
Spring	Override in Case of Misalignment
Material	Steel Body and Stainless Steel Components
Bolt Housing Screws	#8 x 3/4" SM #8 -32 x 1/4" MS
Strike Screws	#8 x 3/4" SM
Bolt Guide Screws	#10 x 7/8" SM
Rub Plate Screws	#8 x 3/4" SM

FEATURES

INOX Flushbolt is projected into frame header or floor when door is closed, and automatically retracts when active door is opened.

The Steel body with Stainless Steel components ensures reliability with fully automatic, non-handed operation.

CODE COMPLIANCE



ANSI - A156.3 Type 25
 Conforms to UL 10C and UBC 7-2
 ANSI A117.1 and ADA for barrier-free accessibility
 C-UBC-California Amended Uniform Builders Code
 NFPA 80 - National Fire Protection Association
 NFPA 101 - National Fire Protection. - Life Safety

Description

Auto Flush Bolt (Wood Door)

Part Number

FBA291W

Standard Finish

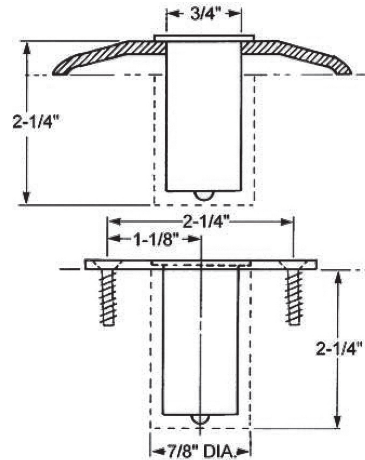
32D Satin Stainless Steel

For additional finish options not listed, contact Sales Department for MOQ and lead times

DUST PROOF STRIKE



DPS280
Dust Proof Strike



SPECIFICATIONS

Material	Extruded Brass
Spring	Loaded 3/4" plunger
Installation	Both floor and threshold installation
Face plate	3" x 1-1/2"
Body diameter	15/16"
Over all depth	2-1/4"
Strike Screws	#12 x 1-1/2"
Anchors	Plastic
Test	UL fire rated for use up to 3 hours

FEATURES

Suitable for both floor and threshold installation, the INOX Spring-Loaded Strike boasts an extruded brass construction for maximum strength and reliability and includes strike screws and anchor.

The spring-loaded plunger returns to floor level when flushbolt is retracted.

CODE COMPLIANCE



ANSI - A156.16 - L24011, L24021
 Conforms to UL 10C and UBC 7-2
 ANSI A117.1 and ADA for Barrier-Free accessibility
 C-UBC-California Amended Uniform Builders Code
 NFPA 80 - National Fire Protection Association
 NFPA 101- National Fire Protection - Life Safety

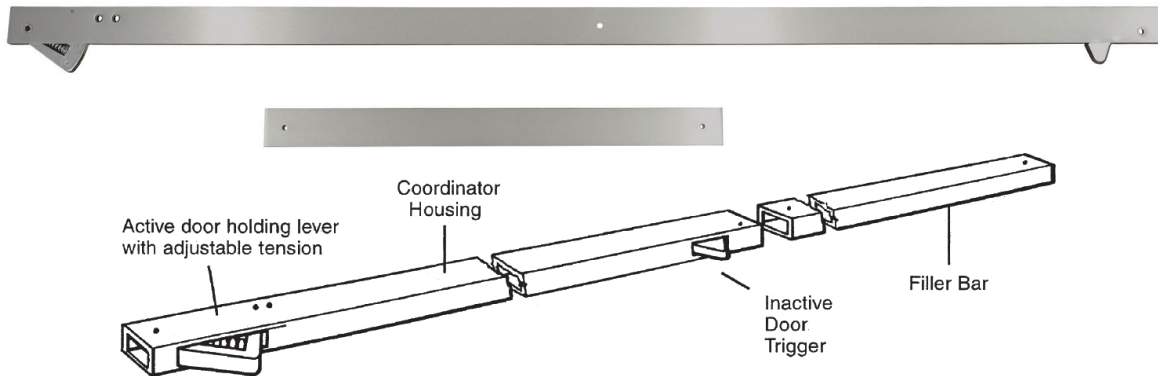
Description

Dust Proof Strike (ANSI: L24011, L24021)

For additional finish options not listed, contact Sales Department for MOQ and lead times

Part Number	Standard Finish
DPS280	26D Satin Chrome

COORDINATOR



COR72 - Coordinator for 72" Opening

SPECIFICATIONS

Housing	Extruded aluminum housing
Spring	Adjustable tension override spring
Spec	Filler bar provided, allowing an even, unbroken line across the full width of the opening
Mounting screws	#12 x 24 x 1-1/4" MS

FEATURES

INOX Coordinators are designed specifically to control the closing sequence, holding an active door open until the inactive door closes, allowing the doors to latch.

CODE COMPLIANCE



ANSI - A156.3 Type 21A
 Conforms to UL 10C and UBC 7-2
 ANSI A117.1 and ADA for Barrier-Free accessibility
 C-UBC-California Amended Uniform Builders Code
 NFPA 80 - National Fire Protection Association
 NFPA 101- National Fire Protection - Life Safety

Description

52" Coordinator with 20" Filler Bar

Part Number

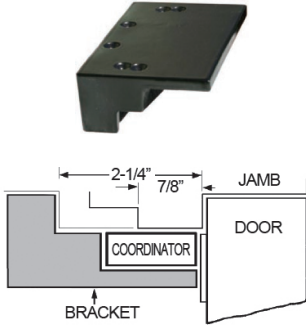
COR72

Standard Finish

AL Aluminum Painted

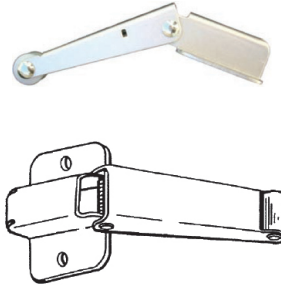
For additional finish options not listed, contact Sales Department for MOQ and lead times

COORDINATOR ACCESSORIES



COR-MB434M

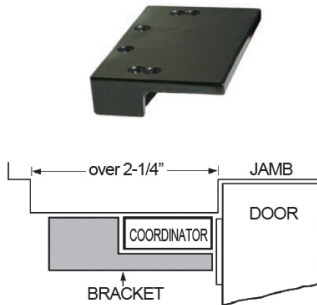
Mounting Bracket
Jamb Depth 4-3/4" Min.
5/8" Stop Height
For Stop Width 7/8" to 2-1/4"



COR-CB100

The Carry Bar is mounted on the inactive door. When the inactive door is opened, the Carry Bar opens the active door until it engages the Coordinator hold open mechanism.

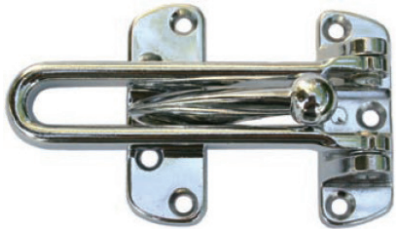
Not used with automatic flush bolts.



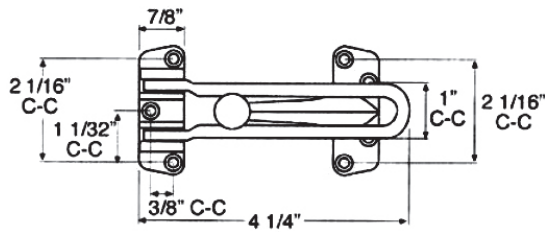
COR-MB414N

Mounting Bracket
Jamb Depth 4-1/4" Min.
5/8" Stop Height
For Stop over 2-1/4"

DOOR GUARDS



DG128/DG128BR
Safety Lock Door Guard



SPECIFICATIONS

ANSI	L93042 - DG128 - Heavy pressure cast alloy
ANSI	L13042 - DG128BR - Solid forged brass
Lock ball	Positive projection lock ball not allowing forced entry
Swing bar	Folds out of plate when not used
Opening	Maximum 4" door opening when engaged
Performance	Cannot be disengaged unless door is fully closed

FEATURES

INOX DG128 Door Guards are beautifully constructed from cast alloy or solid cast brass. The projected lock ball and flip swing bar disallow forced entry when engaged, and the swing bar folds out of place when it is not in use. Easily installed and provides a maximum 4 inch door opening when engaged; will not disengage until the door is fully closed. Each door guard is individually polybagged with Stainless Steel screws.

CODE COMPLIANCE



ANSI A156.16 L13042, L93042
C-UBC-California Uniform Builders Code
NFPA 80 - National Fire Protection Association
NFPA 101 - National Fire Protection. - Life Safety

OPTIONS



DG-EDP128
Door edge protector with adhesive



DG-SHM128
Door guard shim

Description

Door Guard

Part Number

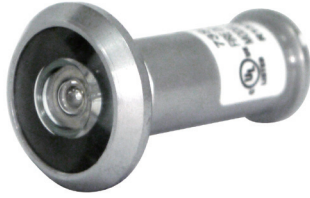
DG128

Standard Finish

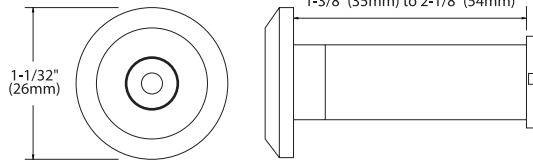
26D Satin Chrome

For additional finish options not listed, contact Sales Department for MOQ and lead times

DOOR VIEWER



DV33200F
 9/16" (14mm) Bore Diameter
 Inside Flange 11/16"



SPECIFICATIONS

Viewing Area	200°
Lense	Polished Glass Lens
Test	ANSI L23221 UL10c Fire Rated
Material	Solid Brass
Door Thickness	1-3/4" wood or metal door; can be used for 11/16" - 1-7/8" thick "Shake" type door

FEATURES

Featuring an extra-wide 200° viewing area for top security, the INOX Door Viewer includes a highly polished glass lens and is Fire Rated.

CODE COMPLIANCE



ANSI A156.16 - L21371, L23221
 Conforms to UL10c and UBC7-2
 C-UBC-California Amended Uniform Builders Code
 NFPA 80 - National Fire Protection Association - 1999
 NFPA 101 - National Fire Protection -Life Safety

Description	Part Number	Standard Finish
Door Viewer, Fire Rated	DV33200F	26D Satin Chrome

For additional finish options not listed, contact Sales Department for MOQ and lead times

COMMERCIAL ROLLER LATCHES



RL300 Dimensions:

Body: 1" Wide x 3-3/8" Long x 1-5/8" Deep
 Strike: 1-11/16" Wide x 2-3/16" Long x 5/32" Thick

RL300 FEATURES

Automatic actuation: closing door causes the roller to fall into the strike's depression, holding the door closed.

Projection of the roller is easily adjusted using adjusting screws on the face of the unit; maximum projection of the roller is 3/8", allowing for variance in the door clearance.

Nylon roller with forged brass construction
 Meets ANSI/BHMAA156.16, E19091



RL320 Dimensions:

Body: 1-1/8" Wide x 2-1/4" Long x 1-3/4" Deep
 Strike: 1-1/8" Wide x 2-3/4" Long x 1/16" Thick

RL320 FEATURES

Door is held closed when the roller is actuated.

Projection of the roller is easily adjusted by turning knurled knob on back of latch; maximum projection of roller is 1/2", allowing for variance in door clearance.

Fits heavy-duty cylindrical lock cutout.

Nylon roller with brass and Stainless Steel construction
 Meets ANSI/BHMA A156.16, E19101

CODE COMPLIANCE



ANSI A156.16 E19091
 C-UBC-California Amended Uniform Builders Code
 NFPA 80 - National Fire Protection Association - 1999
 NFPA 101 - National Fire Protection - Life Safety

Part Number	Standard Finish
RL300	26D Satin Chrome 10B Oil Rubbed Bronze
RL320	26D Satin Chrome 10B Oil Rubbed Bronze

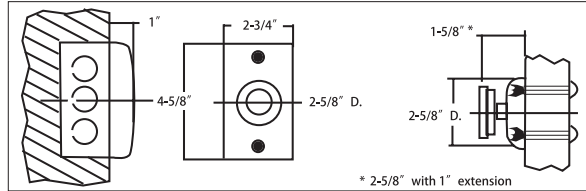
For additional finish options not listed, contact Sales Department for MOQ and lead times

MAGNETIC DOOR HOLDERS



DHM2100

DHM2100 Recessed Wall Mount



Optional Extensions



SPECIFICATIONS

Voltage	Tri-voltage can be wired 12V DC, 24V AC/DC or 120V AC
Power	30-45 pound holding power
Extension	1" Extension provided, 1/2" and 3/4" optional extensions available
Installation	Easy wire installation with quick insert connector
Packing	Thick door kits available by special order No plastic parts

FEATURES

INOX Magnetic Door Holders are easy to install, offer flexible voltage capabilities, and strong holding power. They can be installed on fire/smoke barrier doors held open until released by remote switching devices.

The armature has 360° mobility with thru-bolts to the door for extra security.

CODE COMPLIANCE



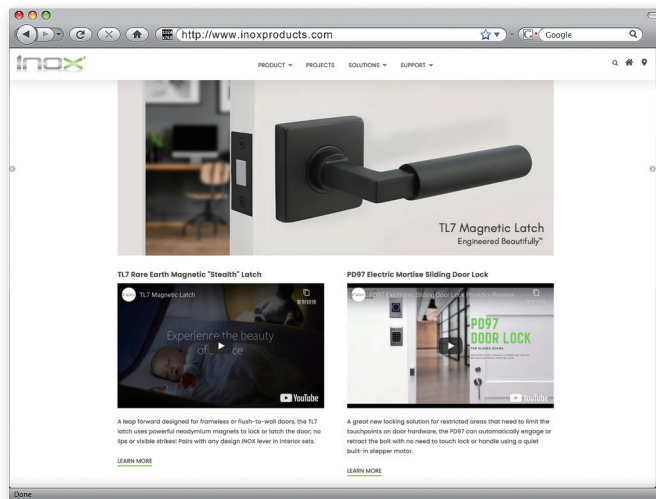
Meeting ANSI/BHMA 156.15 C00011
 UL Listed for fire/smoke barrier doors
 C-UBC-California Amended Uniform Builders Code
 NFPA 80 - National Fire Protection Association - 1999
 NFPA 101 - National Fire Protection - Life Safety

Description	Part Number	Standard Finish
Magnetic Door Holder (ANSI: C00011)	DHM2100	AL Aluminum Painted

For additional finish options not listed, contact Sales Department for MOQ and lead times

INOX Trim and Auxiliary Hardware CROSS REFERENCES

PRODUCT DESCRIPTION	INOX®	TRIMCO	IVES	HAGER	CAL-ROYAL	ROCKWOOD
4" x 16" Push Plate	PPN4016	1001-3	8200	30S	PSPL4016	-
4" x 16" Push Plate with Round Pull	PPN4016R	1017-3	8302-6	31E x 3E	-	-
Kick Plate Mop Plate, Armor Plate	KNP	K0050	8400	190S	KICK	-
Door Pulls U-Shape, 3/4" Tube Diameter	PHIX311	1194	8102-0	3E	NA	NA
Door Pulls U-Shape, 1" Tube Diameter	PHIX312	1195	8103-0	P4E	NA	RM3131
Door Pulls U-Shape, 1-1/4" Tube Diameter	PHIX313	195-3J	-	10L	NA	RM2132
Door Pulls D-Shape, 1" Tube Diameter	PHIX322	1191-3	8190-0	12G	NA	RM3040
Door Pulls D-Shape, 1-1/4" Tube Diameter	PHIX323	1191-4J	-	NA	NA	RM3050
Door Pulls T-Shape, 1-1/4" Tube Diameter	PHIX333	1171	-	NA	NA	RM3216
Door Pulls T-Shape, 45° offset, 1-1/4" Tube Diameter	PHIX343	1172	-	NA	NA	-
Door Pulls C-Shape, 1-1/4" Tube Diameter	PHIX353	1748-1	-	NA	NA	-
Door Pulls V-Shape, 1-1/4" Tube Diameter	PHIX363	7170	-	NA	NA	-
PRODUCT DESCRIPTION	INOX	TRIMCO	IVES	HAGER	CAL-ROYAL	DCI
Low Dome Stop	DS436	1211	FS436	241F	DSL4P4	3310
High Dome Stop	DS438	1212	FS438	243F	DSHP18	3320
Convex Wall Stop	DS401	1270CS	FS401	232W	CONWB42	3210
Concave Wall Stop	DS406	1270WVX	FS406	236W	WB26	3211
Floor Mounted Stops	DS444	1201-5	FS444	267F	GS119	3360
Drop Down Door Holder	DH235	1220-5	FS452-5	271D	SBDH5	3115
Manual Flush Bolt for Wood Doors - UL	FB196W	3913	FB358	283D	WFUL634	790
Manual Flush Bolt for Metal Doors - UL	FB197M	3917	FB457	282D	ULFB634	780F
Automatic Flush Bolt for Wood Doors	FB291W	3815	FB51P	291D	AUTOFLM-1	942
Automatic Flush Bolt for Metal Doors	FB292M	3810	FB31P	292D	AUTOFLW-22	842
Dust Proof Strike	DPS280	3911	DP2	280X	DPSTRK1	DPS82
42" Coordinator and 18" Filler Bar for 60"	COR60	3094	COR42	297D	-	N-660
52" Coordinator and 20" Filler Bar for 72"	COR72	3094	COR52	297D	DORCO-1	672
52" Coordinator and 32" Filler Bar for 84"	COR84	3094	COR52	297D	DORCO-1	684
18" Filler Bar	COR18	3094-2	FL20	297F	FB-1858	-
20" Filler Bar	COR20	3094-2	FL32	297F	FB-2058	-
32" Filler Bar	COR32	3094-3	FL44	297F	FB-3258	-
Mounting Bracket 4-3/4" Minimum Jamb	COR-MB434	3095	MB2	297M	MB-4250	AB
Mounting Bracket 4-1/4" Minimum Jamb	COR-MB414	3096	MB1	297N	MB-4750	C
Carry bar	COR-CB100	3090	CB1	297C	CBCO-1	CB
Door Guard - Cast Alloy	DGIX01	-	-	-	BBDHG88	-
Door Guard - Cast Brass	DGIX01BR	4016	482	1412	SBDG00	-
UL Fire Rated Door Viewer with 200° viewing	DV33200F	976U	698	1756	ULDV200	-



Please visit our website
www.inoxproducts.com
for more technical and new product information.

Unison Hardware, Inc.
6 Wayne Court, Sacramento, CA 95829, USA Tel: +1.916.388.1888 Fax: +1.916.388.8322
Email: info@unisonhardware.com