

# ANSI/BHMA GRADE 2 Tubular Locksets



**INOX Stainless Steel Series -  
Tubular Locksets  
Magnetic Locksets  
Deadbolts**

# CONTENTS

---

<b>Page 01</b>	Rose and Plate Escutcheons
<b>Page 02</b>	Lever Designs and Finishes
<b>Page 03</b>	TL4 Tubular Latch Set
<b>Page 05</b>	TL7 Magnetic Tubular Latch Set
<b>Page 06</b>	Tubular Latch
<b>Page 08</b>	Privacy Bolt
<b>Page 09</b>	Deadbolts, Rim Cylinders
<b>Page 15</b>	Exploded Diagrams
<b>Page 23</b>	How to Order

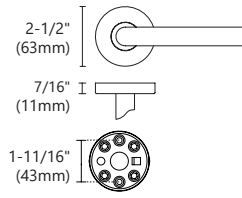
Disclaimer: All information in this catalog has been deemed accurate as of the date of printing. We are continuously improving and expanding our line in an effort to offer our clients the finest quality products and services; therefore, Unison Hardware, Inc., reserves the right to alter this information or correct printing errors at any time.

©2025 Unison Hardware, Inc. All Rights Reserved. V20250212

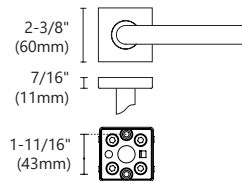
# Rose and Plate ESCUTCHEONS



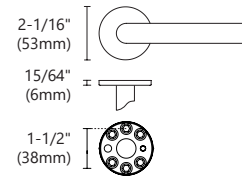
**RA Rose**



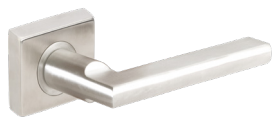
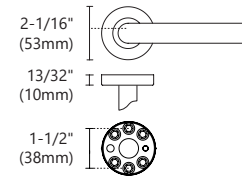
**SE Rose**



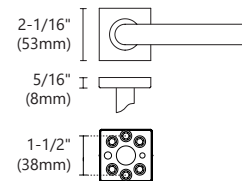
**GA Rose**



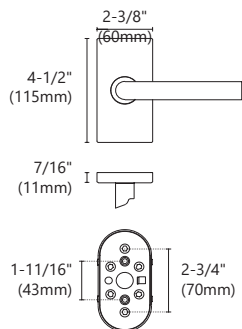
**GT Rose**



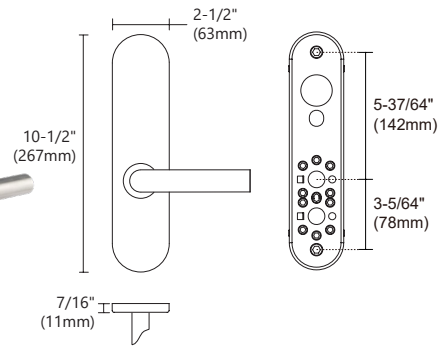
**GS Rose**



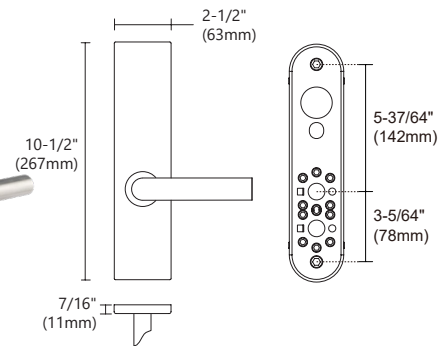
**SH Plate**  
(Tubular Passage, Privacy)



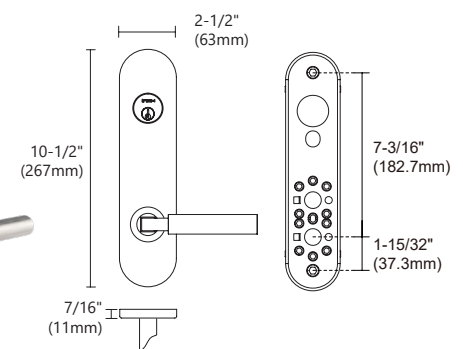
**LA Plate**  
(Tubular Passage, Privacy)



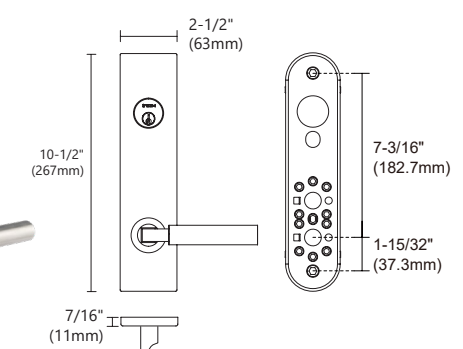
**SF Plate**  
(Tubular Passage, Privacy)



**LA Plate**  
(Tubular Entry)



**SF Plate**  
(Tubular Entry)



# LEVER DESIGNS AND FINISHES



**101 Cologne**  
(32, 32D, CGY, CDB, C19G, C19)



**103 Oslo**  
(32, 32D, CGY, CDB, C19G, C19)



**104 Brussels**  
(32, 32D, CGY, CDB, C19G, C19)



**105 Frankfurt**  
(32, 32D, 10B, 19G, CGY, CDB, C19G, C19)



**106 Copenhagen**  
(32, 32D, 10B, CGY, CDB, C19G, C19)



**107 Stockholm**  
(32, 32D, CGY, CDB, C19G, C19)



**108 Vienna**  
(PVD4, SP\*, CGY, CDB, C19G, C19)



**210 Air-stream**  
(32, 32D, 10B, CGY, CDB, C19G, C19)



**211 Breeze**  
(32, 32D, 10B, CGY, CDB, C19G, C19)



**213 Cabernet**  
(32, 32D, CGY, CDB, C19G, C19)



**214 Champagne**  
(32, 32D, 10B, CGY, CDB, C19G, C19)



**217 Horizon**  
(32, 32D, CGY, CDB, C19G, C19)



**221 Aurora**  
(32, 32D, 10B, 19G, SP\*, CGY, CDB, C19G, C19)



**223 Phoenix**  
(32D, SP\*, CGY, CDB, C19G, C19)



**225 Waterfall**  
(32, 32D, CGY, CDB, C19G, C19)



**226 Summer**  
(32, 32D, CGY, CDB, C19G, C19)



**227 Stratus**  
(32, 32D, CGY, CDB, C19G, C19)



**243 Sunrise**  
(32, 32D, 10B, 19G, PVD4, CGY, CDB, C19G, C19)



**251 Sequoia**  
(32, 32D, SP\*, CGY, CDB, C19G, C19)



**276 Plaza**  
(32, 32D, 19G, PVD4, CGY, CDB, C19G, C19)



**300 Napa**  
(32, 32D, 19G, CGY, CDB, C19G, C19)



**311 Crest**  
(32, 32D, 10B, CGY, CDB, C19G, C19)



**318 Café**  
(32, 32D, 19G, CGY, CDB, C19G, C19)



**319 Hampton**  
(32, 32D, 19G, CGY, CDB, C19G, C19)



**320 Empire**  
(32, 32D, 19G, CGY, CDB, C19G, C19)



**344 Ecco**  
(32, 32D, CGY, CDB, C19G, C19)



**345 Tokyo**  
(32, 32D, 10B, 19G, CGY, CDB, C19G, C19)



**351 Toronto**  
(32, 32D, CGY, CDB, C19G, C19)



**379 Arctic**  
(32, 32D, CGY, CDB, C19G, C19)



**380 Polaris**  
(32, 32D, CGY, CDB, C19G, C19)

## Lever Designs with "Return To Door" (RTD)\*

\*Compliant with California Fire Code



**102 Munich**  
(32, 32D, CGY, CDB, C19G, C19)



**109 Stuttgart**  
(32, 32D, CGY, CDB, C19G, C19)



**244 Twilight**  
(32, 32D, CGY, CDB, C19G, C19)



**321 Valencia**  
(32, 32D, 19G, PVD4, CGY, CDB, C19G, C19)



**346 Osaka**  
(32, 32D, CGY, CDB, C19G, C19)

\*SP is a two-tone stainless steel finish: satin (32D) finish on lever grip, polished (32) finish on lever neck and roses.

379 Arctic knobs are available for GT/GS/GA small rosettes and BP/MU plates. 380 Polaris knobs are available for RA/SE rosette, LA/SF plates and Entrance Handlesets.

ANSI/BHMA Grade 2

# TL4 TUBULAR LATCH SETS

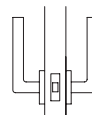
With RA, SE, GA, GT, GS, SH Rosettes



## SPECIFICATIONS

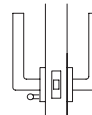
<b>Door Thickness</b>	1-3/8" (35mm) to 1-3/4" (44mm) Thick door kits available
<b>Latch Backset</b>	2-3/8" (60mm) standard 2-3/4" (70mm) optional
<b>Hub and Spindle</b>	5/16" (8mm) square
<b>Latch Faceplate</b>	1" x 2-1/4" standard square corner
<b>Leverset Thru-bolts</b>	2EA M4x35mm
<b>Lever Spindle</b>	8 x 8mm square
<b>Lever Action</b>	28 degree
<b>Latch Strike</b>	Full lip strike and T-strike with square corners. Radius corner faceplate and strike, or ASA Strike also available. Order separately
<b>Material</b>	Stainless Steel Levers and Escutcheons
<b>Handing</b>	Field reversible latch for passage and privacy function. Specify handing for half passage and passage w/privacy bolt function

## FUNCTION



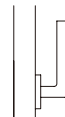
### Passage (L461/L471)

Both levers always unlocked.



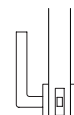
### Privacy (L462/L472)

Push privacy pin from inside to lock door. Unlock latch by turning inside lever or by emergency release from hole on outside rose cover.



### Half Dummy Left (DL) or Half Dummy Right (DR)

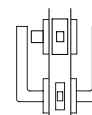
Left or Right levers are always inactive. Optional working dummies available by specifying, contact sales department.



### Half Passage (L465/L475)

Outside lever always unlocked; inside dummy rose. Used on pantry/closet without space for inside lever.

*\*Do NOT use this function on pantry or closet that could lock a person inside.*



### Passage with Privacy Bolt- RA, SE, GT, GS

Combination of a passage set with an additional Privacy Bolt ordered separately. Please See Page 8 for Privacy Bolt details.

ANSI/BHMA Grade 2

# TL4 TUBULAR ENTRY SETS

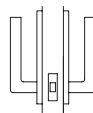
With SF/LA Escutcheons



## SPECIFICATIONS

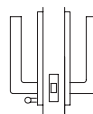
<b>Door Thickness</b>	1-3/8" (35mm) to 1-3/4" (44mm) Thick door kits available
<b>Backset</b>	2-3/8" (60mm) standard 2-3/4" (70mm) optional
<b>Center Distance</b>	5-1/2" (140mm)
<b>Handing</b>	Specify handing for all functions. Latchbolt is field reversible
<b>Hub and Spindle</b>	5/16" (8mm) square
<b>Latch Faceplate</b>	1" x 2-1/4" standard square corner
<b>Lever Spindle</b>	8 x 8mm square
<b>Lever Action</b>	28 degree
<b>Leverset Thru-bolts</b>	M4x35mm
<b>Deadbolt Thru-bolts</b>	2 EA M5x50mm for Single Cylinder 2 EA M5x70mm for Double Cylinder
<b>Latch Strike</b>	Full lip strike and T-strike with square corners. Radius corner faceplate and strike, or ASA Strike also available. Order separately
<b>Material</b>	Stainless Steel Levers and Escutcheons
<b>Cylinder</b>	Schlage C Keyway 5-pin Cylinder, 2 keys included. Keying service available

## FUNCTION



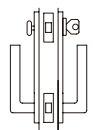
### Passage (L461/L471)

Both levers always unlocked.



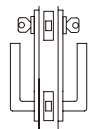
### Privacy (L462/L472)

Push privacy pin from inside to lock door. Unlock latch by turning inside lever or by emergency release from hole on outside rose cover.



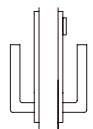
### Entry w/ Single Cylinder (C463/C473)

Deadbolt is locked or unlocked by key or thumbturn inside. When deadbolt is unlocked, both levers operate latch like a passage set. Deadbolt and latch are not interconnected.



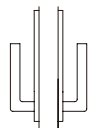
### Entry w/ Double Cylinder (C464/C474)

Deadbolt is locked or unlocked by key. When deadbolt is unlocked, both levers operate latch like a passage set. Deadbolt and latch are not interconnected.



### Dummy Entry (EDP) (Lower Lever Position)

Both levers are inactive. Dummy cylinder is inactive.



### Dummy Pair (DP) (Lower Lever Position)

Both levers are inactive.

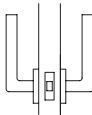
# TL7 MAGNETIC TUBULAR LATCH



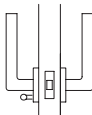
## SPECIFICATIONS

<b>Door Thickness</b>	1-3/8"(35mm) to 1-3/4"(44mm) Thick door kits available
<b>Backset</b>	2-3/8" (60mm) 2-3/4" (70mm)
<b>Latch Faceplate</b>	1" x 2-1/4" standard square corner
<b>Material</b>	Stainless Steel Levers and Escutcheons
<b>Handing</b>	Specify for Half Passage
<b>Lever Spindle</b>	8 x 8mm square
<b>Lever Action</b>	28 degree

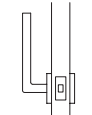
## FUNCTION



**Passage (L761/L771)**  
Both levers always unlocked.



**Privacy (L762/L772)**  
Push privacy pin from inside to lock door. Unlock latch by turning inside lever or by emergency release from hole on outside rose cover.

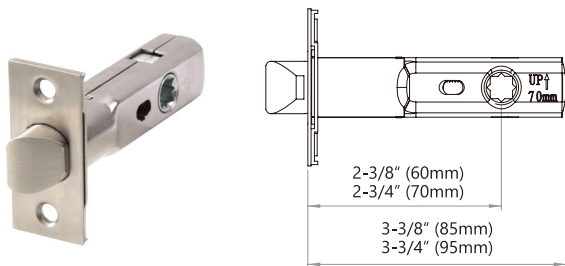


**Half Passage**  
Outside lever always unlocked inside, dummy rose only. Door cannot be opened from inside.



# TUBULAR LOCKSETS

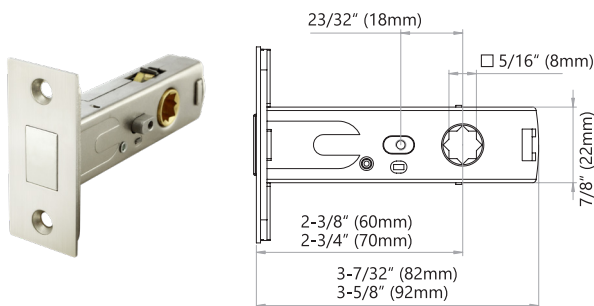
## TUBULAR LATCH



**TL4 – Commercial Grade**  
(BHMA/ANSI156.2 Grade 2)

28 Degree Latch Retraction  
Backset: 2-3/8" (60mm), 2-3/4" (70mm)  
Function: Passage, Privacy  
Faceplate: 1"x2-1/4"

Backset	Function	Item No.
2-3/8" (60mm)	Passage	<b>TL461</b>
2-3/8" (60mm)	Privacy	<b>TL462</b>
2-3/4" (70mm)	Passage	<b>TL471</b>
2-3/4" (70mm)	Privacy	<b>TL472</b>



**TL7 - Magnetic Tubular Latch**

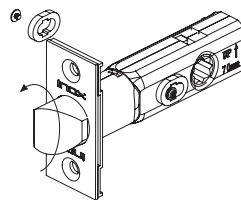
28 Degree Latch Retraction  
Backset: 2-3/8" (60mm), 2-3/4" (70mm)  
Function: Passage, Privacy  
Faceplate: 1"x 2-1/4"

Backset	Function	Item No.
2-3/8" (60mm)	Passage	<b>TL761</b>
2-3/8" (60mm)	Privacy	<b>TL762</b>
2-3/4" (70mm)	Passage	<b>TL771</b>
2-3/4" (70mm)	Privacy	<b>TL772</b>

## CHANGE LATCH BOLT DIRECTION FOR TL4

### TL4 Latch

28 degree retraction latch

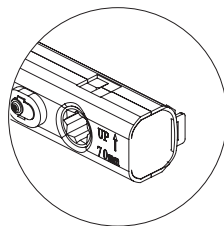
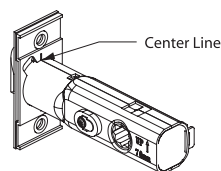


Determine door handing for latch and remove INSIDE washer (privacy pin side). Change the latch direction and faceplate (together) 180°.

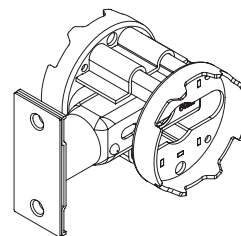
*Note: Be sure to install the latch with faceplate attached to the latch body.*

*Note: Make sure the center line on the back of the faceplate meets the center seam of the latch case.*

*Note: Make sure the latch has the Arrow facing up.*



## DUMMY LATCH KIT FOR PRE-DRILLED DOORS



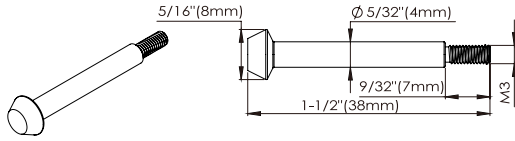
Backset	Function	Item No.
2-3/8" (60mm)	Dummy Kit	<b>PPD-RSL46</b>
2-3/4" (70mm)	Dummy Kit	<b>PPD-RSL47</b>



PRIVACY PIN

All privacy latches come with M4 Privacy Pin and Emergency Release Key

M4 Privacy Pin

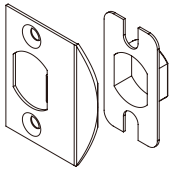


Emergency Release Key

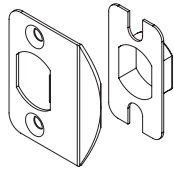


STRIKES

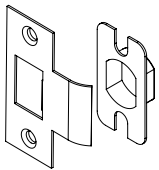
All latches come with both T-Strike and Full-lip Strike with square corners. Full-lip Strike with Radius Corner and ASA Strike can be ordered separately.



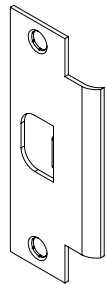
**LSR-D1**  
Full-lip Strike  
1-3/4" x 2-1/4"



**LSR-D14**  
Full-lip Strike 1/4" Corner  
1-3/4" x 2-1/4"



**LSR-T1**  
T-Strike  
1-1/8" x 2-3/4"  
w/lip 1-1/2" x 1/2"

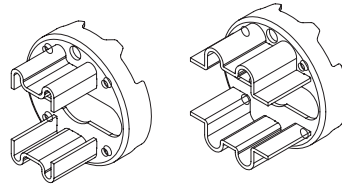


**LSR-ASA**  
ASA Strike (ANSI Standard)  
1-1/4" x 4-7/8"

LATCH BRACKET/ STABILIZER

For 1-3/8" and 1-3/4" Door Thickness

TL4 Latch Bracket (For RA/SE/SH/LA/SF)  
BRIX40F & BRIX40M



PRE-ROSE LEVER DESIGNS

Certain lever designs have non-release rose covers; additional special Allen wrench and hexagon bolts are provided. Designs include: 106 Copenhagen, 214 Champagne, 243 Sunrise, 251 Sequoia, 344 Ecco, 379 Arctic, and 380 Polaris

Ways to install leverset with non-release rose cover



Use Allen Wrench in between rose cover and under-construction.

Use Allen Wrench to go through rose cover center cut out

Use a Phillips screwdriver to go through rose cover center cut out

\* Keep the protective film on the lever while mounting the fixings

# PRIVACY BOLT



## SPECIFICATIONS

<b>Door Thickness</b>	1-3/8" (35mm) to 1-3/4" (44mm) Thick Door Kits available
<b>Backset</b>	2-3/8" (60mm) standard 2-3/4" (70mm) optional
<b>Privacy Bolt</b>	1/2" (12.7mm) throw
<b>Bolt Spindle</b>	3/16" (5mm) square

## FUNCTION



### Privacy Deadbolt

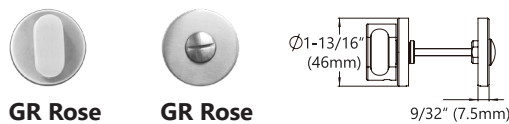
Deadbolt locked and unlocked by inside thumbturn or outside emergency release



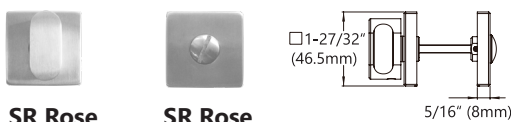
**GT Rose** T-Turn Side  
**GT Rose** Release only  
**GT Rose** Release w/Indicator



**GS Rose** T-Turn Side  
**GS Rose** Release only  
**GS Rose** Release w/Indicator



**GR Rose** T-Turn Side  
**GR Rose** Release Side



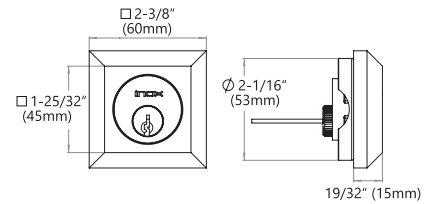
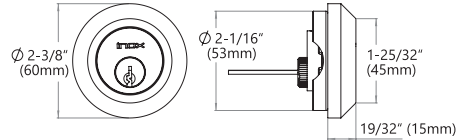
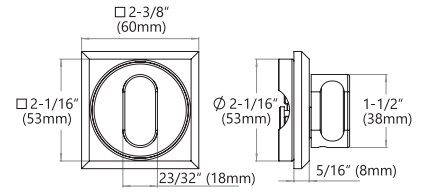
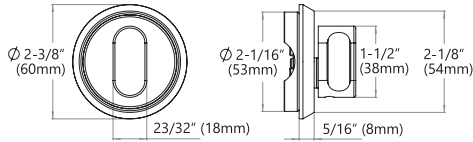
**SR Rose** T-Turn Side  
**SR Rose** Release Side

## Description

## Item No.

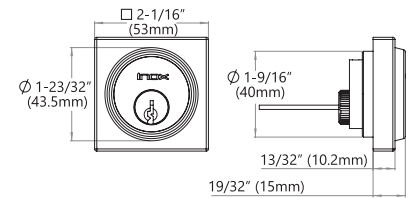
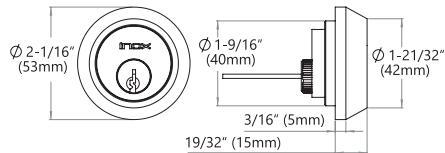
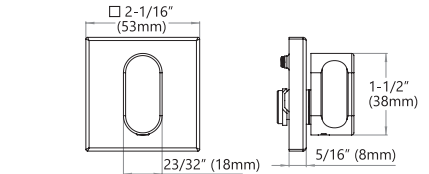
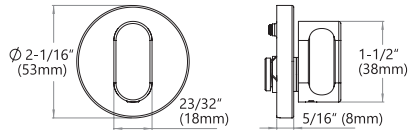
Privacy Bolt with GT Rose, 04 T-Turn, 2-3/8" Backset, with Indicator	<b>GT04PB62W</b>
Privacy Bolt with GT Rose, 04 T-Turn, 2-3/4" Backset, with Indicator	<b>GT04PB72W</b>
Privacy Bolt with GT Rose, 04 T-Turn, 2-3/8" Backset	<b>GT04PB62</b>
Privacy Bolt with GT Rose, 04 T-Turn, 2-3/4" Backset	<b>GT04PB72</b>
Privacy Bolt with GS Rose, 04 T-Turn, 2-3/8" Backset, with Indicator	<b>GS04PB62W</b>
Privacy Bolt with GS Rose, 04 T-Turn, 2-3/4" Backset, with Indicator	<b>GS04PB72W</b>
Privacy Bolt with GS Rose, 04 T-Turn, 2-3/8" Backset	<b>GS04PB62</b>
Privacy Bolt with GS Rose, 04 T-Turn, 2-3/4" Backset	<b>GS04PB72</b>
Privacy Bolt with GR Rose, 04 T-Turn, 2-3/8" Backset	<b>GR04PB62</b>
Privacy Bolt with GR Rose, 04 T-Turn, 2-3/4" Backset	<b>GR04PB72</b>
Privacy Bolt with SR Rose, 04 T-Turn, 2-3/8" Backset	<b>SR04PB62</b>
Privacy Bolt with SR Rose, 04 T-Turn, 2-3/4" Backset	<b>SR04PB72</b>

# DEADBOLT WITH ESCUTCHEONS



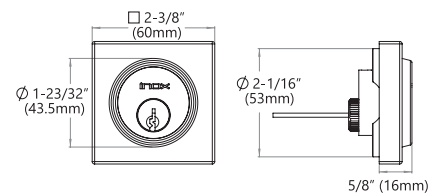
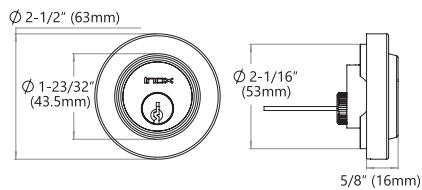
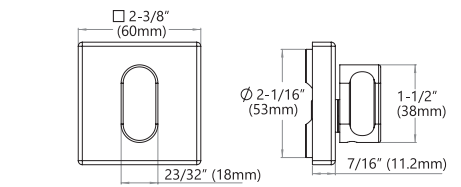
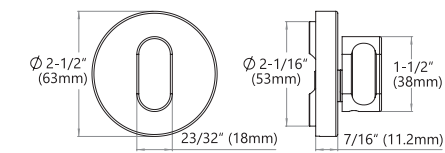
RD Deadbolt

SD Deadbolt



GD Deadbolt

HD Deadbolt



CD Deadbolt

LD Deadbolt

# RD/SD DEADBOLT



RD Series Deadbolt



SD Series Deadbolt

## SPECIFICATIONS

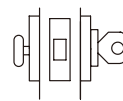
<b>Door Thickness</b>	1-3/4" (44mm) standard Thick Door Kits available
<b>Backset</b>	2-3/8" (60mm) standard 2-3/4" (70mm) optional
<b>Cylinder &amp; Keys</b>	Schlage C Keyway Cylinder 5-pin with 2 keys Keying service available
<b>Deadbolt</b>	1" throw with hardened roller pin
<b>Fully concealed fixing</b>	M5 Thru-bolts
<b>Material</b>	Solid Casted Stainless Steel outside and inside escutcheons

## STANDARD FINISHES

- 32D Satin Stainless Steel
- 32 Bright Stainless Steel
- 10B Oil Rubbed Bronze

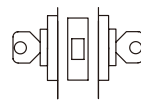
*For additional finish options not listed, contact Sales Department for MOQ and lead times*

## FUNCTION



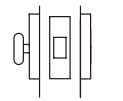
### RD110/SD310 Single Cylinder Deadbolt

Key outside or thumbturn inside retracts deadbolt



### RD120/SD320 Double Cylinder Deadbolt

Deadbolt operated by key from either side



### RD192/SD392 Communicating Deadbolt

Deadbolt operated by thumbturn from inside. Blind rose only on outside

## THIN DOOR KITS

Illustration	Thin Door Kits	Item Code
	1-3/8" Door Thickness for RD deadbolt	<b>ECIXR20-32D</b> <b>ECIXR20-32</b> <b>ECIXR20-10B</b>
	1-3/8" Door Thickness for SD deadbolt	<b>ECIXS40-32D</b> <b>ECIXS40-32</b> <b>ECIXS40-10B</b>

# GD/HD DEADBOLT



GD Series Deadbolt



HD Series Deadbolt

## SPECIFICATIONS

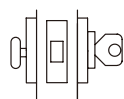
<b>Door Thickness</b>	1-3/4" (44mm) standard Thick door kits available
<b>Backset</b>	2-3/8" (60mm) standard 2-3/4" (70mm) optional
<b>Cylinder &amp; Keys</b>	Schlage C Keyway Cylinder 5-pin with 2 keys Keying service available
<b>Deadbolt</b>	1" throw with hardened roller pin
<b>Fully concealed fixing</b>	M5 Thru-bolts
<b>Material</b>	Solid Casted Stainless Steel outside escutcheon and Wrought Stainless Steel inside escutcheon

## STANDARD FINISHES

- 32D Satin Stainless Steel
- 32 Bright Stainless Steel
- 10B Oil Rubbed Bronze

*For additional finish options not listed, contact Sales Department for MOQ and lead times*

## FUNCTION



### GD110/HD310 Single Cylinder Deadbolt

Key outside or thumbturn inside retracts deadbolt



### GD120/HD320 Double Cylinder Deadbolt

Deadbolt operated by key from either side



### GD192/HD392 Communicating Deadbolt

Deadbolt operated by thumbturn from inside; blind rose only on outside

## THIN DOOR KITS

Illustration	Thin Door Kits	Item Code
	1-3/8" Door Thickness for GD deadbolt	<b>ECIXG20-32D</b> <b>ECIXG20-32</b> <b>ECIXG20-10B</b>
	1-3/8" Door Thickness for HD deadbolt	<b>ECIXH40-32D</b> <b>ECIXH40-32</b> <b>ECIXH40-10B</b>



# CD/LD DEADBOLT



CD Series Deadbolt



LD Series Deadbolt

## SPECIFICATIONS

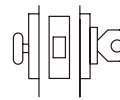
<b>Door Thickness</b>	1-3/4" (44mm) standard Thick Door Kits available
<b>Backset</b>	2-3/8" (60mm) standard 2-3/4" (70mm) optional
<b>Cylinder &amp; Keys</b>	Schlage C Keyway Cylinder 5-pin with 2 keys Keying service available
<b>Deadbolt</b>	1" throw with hardened roller pin
<b>Fully concealed fixing</b>	M5 Thru-bolts
<b>Material</b>	Solid Casted Stainless Steel outside and inside escutcheons

## STANDARD FINISHES

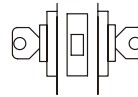
- 32D Satin Stainless Steel
- 32 Bright Stainless Steel
- 10B Oil Rubbed Bronze
- 19G Graphite Black
- PVD4 Satin Brass

*For additional finish options not listed, contact Sales Department for MOQ and lead times*

## FUNCTION



**CD110/LD310  
Single Cylinder Deadbolt**  
Key outside or thumbturn inside retracts deadbolt


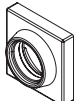


**CD120/LD320  
Double Cylinder Deadbolt**  
Deadbolt operated by key from either side

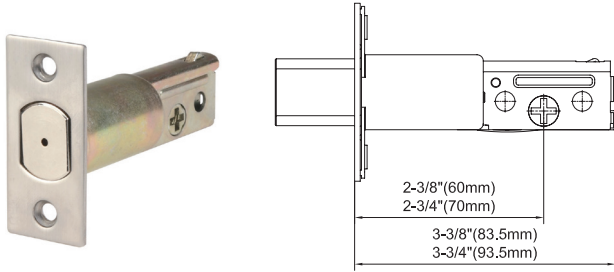


**CD192/LD392  
Communicating Deadbolt**  
Deadbolt operated by thumbturn from inside; blind rose only on outside

## THIN DOOR KITS

Illustration	Thin Door Kits	Item Code
	1-3/8" Door Thickness for CD deadbolt	<b>ECIXC20-32D</b> <b>ECIXC20-32</b> <b>ECIXC20-10B</b>
	1-3/8" Door Thickness for LD deadbolt	<b>ECIXL40-32D</b> <b>ECIXL40-32</b> <b>ECIXL40-10B</b>

DEADBOLT

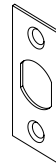


<b>Backset</b>	2-3/8" (60mm), 2-3/4" (70mm)
<b>Deadbolt</b>	1" (25mm) throw with anti-drill pin
<b>Function</b>	Suitable for entry door or doors needing to be locked
<b>Faceplate</b>	2-1/4" x 1"
<b>Cylinder &amp; Keys</b>	5-pin Schlage C keyway cylinder with 2 keys

Backset	Item No.
2-3/8"	<b>BT160</b>
2-3/4"	<b>BT170</b>
3 Hour Fire-Rated	
2-3/8"	<b>BT160F</b>
2-3/4"	<b>BT170F</b>

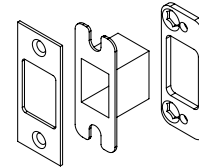
DEADBOLT STRIKE AND FACEPLATE

Deadbolt Faceplate



**BT1-FSP**

Deadbolt Strike w/reinforcement plate and dustbox



**LSR-BT1**

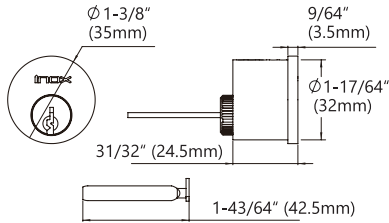


**RIM CYLINDERS**

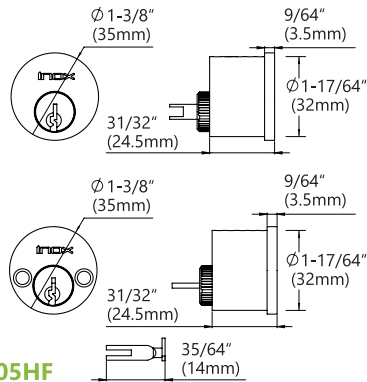
Schlage C Keyway, 5 Pin, with Tailpiece, 2 Keys.  
 Standard Keyed Different (KD).  
 Other Keying Services Available.



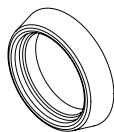
**CRB105**  
 Single Cylinder



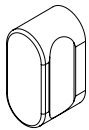
**CRB105F & CRB105HF**  
 Double Cylinder



**CRA10D**  
 Dummy Cylinder



**EC-R460COL**  
 Cylinder Escutcheon



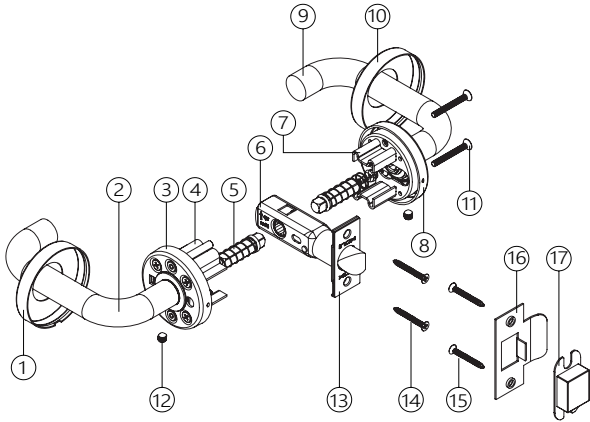
**TT04**  
 Thumbturn

**KEYING SERVICES**

Description	Item No.
Key Cut including Key Blank	<b>SV-KYCT</b>
Keyed Alike (KA)	<b>SV-KA</b>
Keyed to Specific Code	<b>SV-KS</b>
Master Keying	<b>SV-MK</b>
Grand Master Keying with 2 or more Master groups	<b>SV-GMK</b>
Construction Master Keying Service	<b>SV-CMK</b>

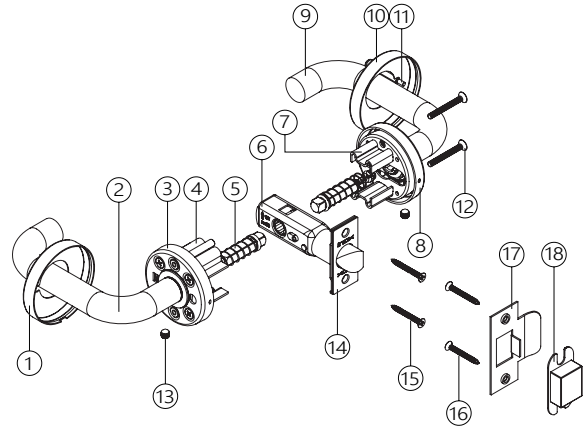
# EXPLODED DIAGRAMS

## RA PASSAGE



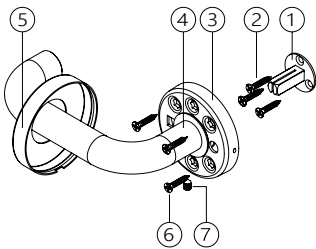
- |                                      |                                    |
|--------------------------------------|------------------------------------|
| 1. Outside Rose Cover                | 9. Inside Lever                    |
| 2. Outside Lever                     | 10. Inside Rose Cover              |
| 3. Outside Sub-rose<br>w/Bolt Sleeve | 11. Thru-Bolts                     |
| 4. Outside Latch Bracket             | 12. Set Screw for Lever            |
| 5. Spindle 8mm Square                | 13. Tubular Latch Faceplate        |
| 6. Tubular Latch-TL4 Passage         | 14. Tubular Latch Faceplate Screws |
| 7. Inside Latch Bracket              | 15. Tubular Latch Strike Screws    |
| 8. Inside Sub-rose                   | 16. Tubular Latch Strike           |
|                                      | 17. Tubular Latch Dust Box         |

## RA PRIVACY



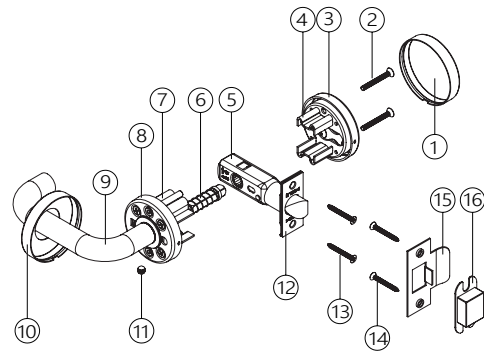
- |                                      |                                    |
|--------------------------------------|------------------------------------|
| 1. Outside Rose Cover                | 10. Inside Rose Cover              |
| 2. Outside Lever                     | 11. Privacy Pin                    |
| 3. Outside Sub-rose<br>w/Bolt Sleeve | 12. Thru-bolts                     |
| 4. Outside Latch Bracket             | 13. Set Screw for Lever            |
| 5. Spindle 8mm Square                | 14. Tubular Latch Faceplate        |
| 6. Tubular Latch-TL4 Privacy         | 15. Tubular Latch Faceplate Screws |
| 7. Inside Latch Bracket              | 16. Tubular Latch Strike Screws    |
| 8. Inside Sub-rose                   | 17. Tubular Latch Strike           |
| 9. Inside Lever                      | 18. Tubular Latch Dust Box         |

## RA HALF DUMMY



1. Dummy Spindle
2. Wood Screws
3. Sub-rose
4. Lever
5. Rose Cover
6. Wood Screws
7. Set Screw for Lever

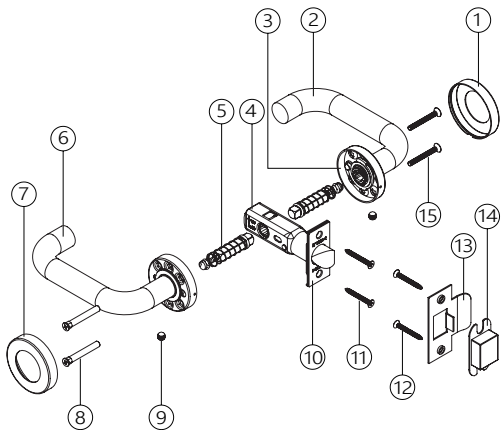
## RA HALF PASSAGE



- |                              |                                    |
|------------------------------|------------------------------------|
| 1. Inside Blind Rose Cover   | 9. Outside Lever                   |
| 2. Thru-bolts                | 10. Outside Rose Cover             |
| 3. Inside Sub-rose           | 11. Set Screw for Lever            |
| 4. Inside Latch Bracket      | 12. Tubular Latch Faceplate        |
| 5. Tubular Latch-TL4 Passage | 13. Tubular Latch Faceplate Screws |
| 6. Spindle 8mm Square        | 14. Tubular Latch Strike Screws    |
| 7. Outside Latch Bracket     | 15. Tubular Latch Strike           |
| 8. Outside Sub-rose          | 16. Tubular Latch Dust Box         |

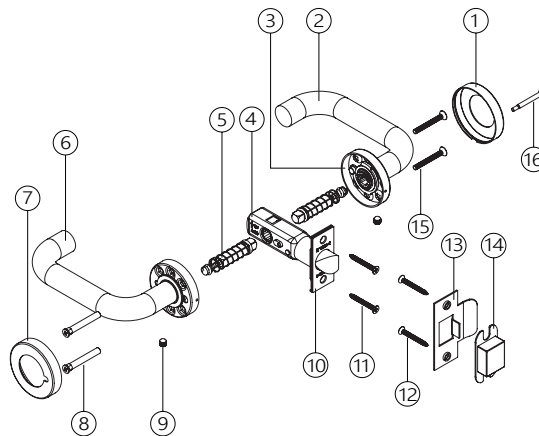
# EXPLODED DIAGRAMS

## GT PASSAGE



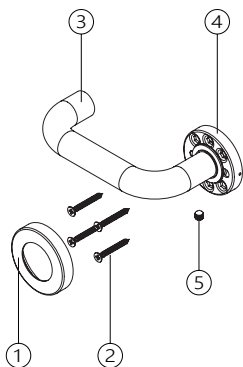
- |                              |                                    |
|------------------------------|------------------------------------|
| 1. Inside Rose Cover         | 9. Set Screw for Lever             |
| 2. Inside Lever              | 10. Tubular Latch Faceplate        |
| 3. Inside Sub-rose           | 11. Tubular Latch Faceplate Screws |
| 4. Tubular Latch-TL4 Passage | 12. Tubular Latch Strike Screws    |
| 5. Spindle 8mm Square        | 13. Tubular Latch Strike           |
| 6. Outside Lever             | 14. Tubular Latch Dust Box         |
| 7. Outside Rose Cover        | 15. Thru-Bolts                     |
| 8. Bolt Sleeves              |                                    |

## GT PRIVACY



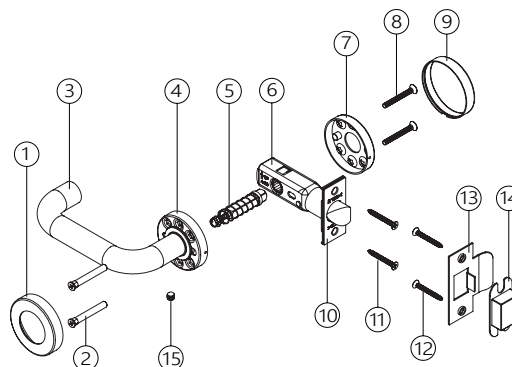
- |                              |                                    |
|------------------------------|------------------------------------|
| 1. Inside Rose Cover         | 10. Tubular Latch Faceplate        |
| 2. Inside Lever              | 11. Tubular Latch Faceplate Screws |
| 3. Inside Sub-rose           | 12. Tubular Latch Strike Screws    |
| 4. Tubular Latch-TL4 Privacy | 13. Tubular Latch Strike           |
| 5. Spindle 8mm Square        | 14. Tubular Latch Dust Box         |
| 6. Outside Lever             | 15. Thru-Bolts                     |
| 7. Outside Rose Cover        | 16. Privacy Pin                    |
| 8. Bolt Sleeves              |                                    |
| 9. Set Screw for Lever       |                                    |

## GT HALF DUMMY



- |                        |
|------------------------|
| 1. Rose Cover          |
| 2. Wood Screws         |
| 3. Lever               |
| 4. Sub rose            |
| 5. Set screw for lever |

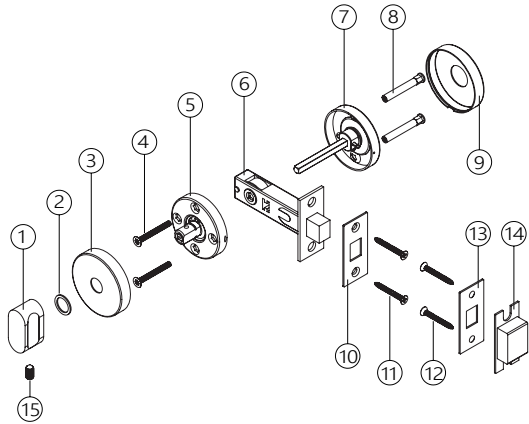
## GT HALF PASSAGE



- |                              |                                    |
|------------------------------|------------------------------------|
| 1. Outside Rose Cover        | 9. Inside Blind Rose Cover         |
| 2. Bolt Sleeves              | 10. Tubular Latch Faceplate        |
| 3. Outside Lever             | 11. Tubular Latch Faceplate Screws |
| 4. Outside Sub-rose          | 12. Tubular Latch Strike Screws    |
| 5. Spindle 8mm Square        | 13. Tubular Latch Dust Box         |
| 6. Tubular Latch-TL4 Passage | 14. Tubular Latch Strike           |
| 7. Inside Sub-rose           | 15. Set Screw for Lever            |
| 8. Thru-bolts                |                                    |

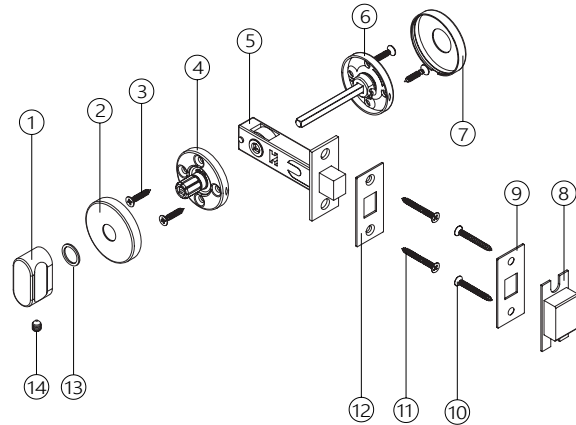
# EXPLODED DIAGRAMS

## GT PRIVACY BOLT



1. Inside Thumbturn
2. Thumbturn Washer
3. Inside Thumbturn Rose
4. Thru-Bolts
5. Inside Thumbturn Sub-rose
6. Privacy Bolt
7. Privacy Release Sub-rose
8. Bolt Sleeves
9. Privacy Rose Cover
10. Privacy Bolt Faceplate
11. Privacy Bolt Faceplate Screws
12. Privacy Bolt Strike Screws
13. Privacy Bolt Strike
14. Privacy Bolt Dust Box
15. Set Screw for Thumbturn

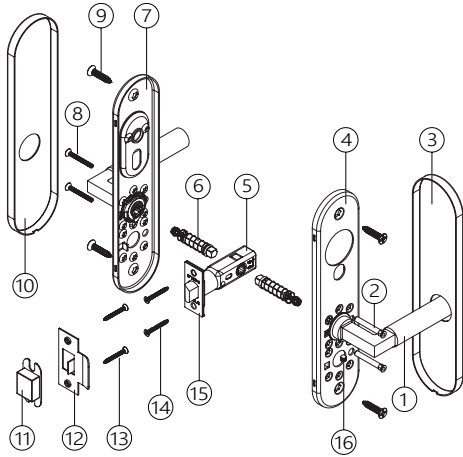
## GR PRIVACY BOLT



1. Thumbturn
2. Privacy Rose Cover
3. Wood Screws
4. Inside Less Cover
5. Privacy Bolt
6. Outside Sub Cover with release
7. Outside Rose Cover
8. Privacy Bolt Dust Box
9. Privacy Bolt Strike
10. Privacy Bolt Strike Screws
11. Privacy Bolt Faceplate Screws
12. Faceplate of Privacy Bolt
13. Thumbturn Washer
14. Set Screw for Thumbturn

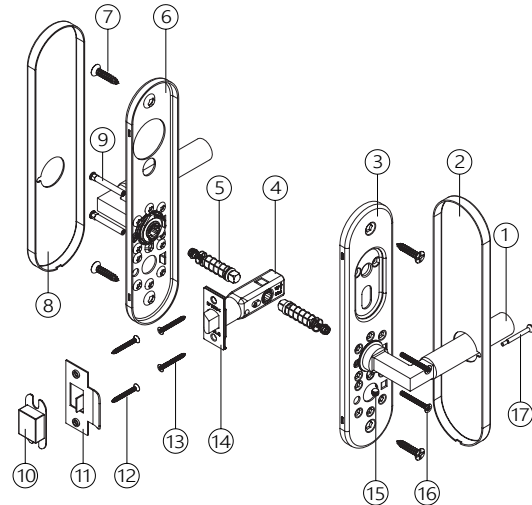
# EXPLODED DIAGRAMS

## LA PASSAGE



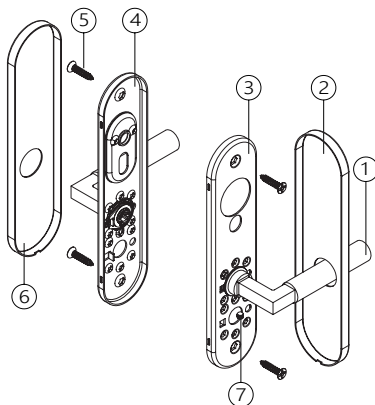
- |                              |                                    |
|------------------------------|------------------------------------|
| 1. Outside Lever             | 9. Wood Screws                     |
| 2. Bolt Sleeves              | 10. Inside Cover Plate             |
| 3. Outside Cover Plate       | 11. Tubular Latch Dust Box         |
| 4. Outside Sub-plate         | 12. Tubular Latch Strike           |
| 5. Tubular Latch-TL4 Passage | 13. Tubular Latch Strike Screws    |
| 6. Lever Spindle 8mm Square  | 14. Tubular Latch Faceplate Screws |
| 7. Inside Sub-plate          | 15. Tubular Latch Faceplate        |
| 8. Thru-Bolts                | 16. Set Screw for Lever            |

## LA PRIVACY



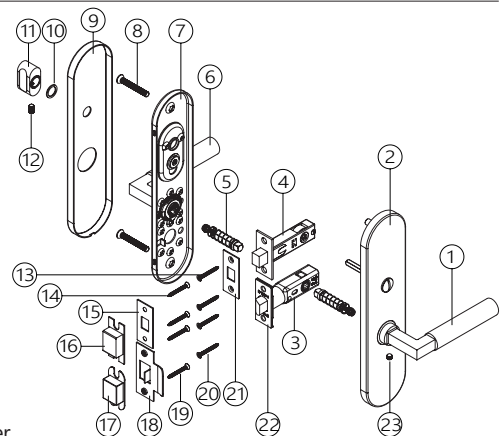
- |                              |                                    |
|------------------------------|------------------------------------|
| 1. Inside Lever              | 10. Tubular Latch Dust Box         |
| 2. Inside Cover Plate        | 11. Tubular Latch Strike           |
| 3. Inside Sub-plate          | 12. Tubular Latch Strike Screws    |
| 4. Tubular Latch-TL4 Privacy | 13. Tubular Latch Faceplate Screws |
| 5. Lever Spindle 8mm Square  | 14. Tubular Latch Faceplate        |
| 6. Outside Sub-plate         | 15. Set Screw for Lever            |
| 7. Wood Screws               | 16. Thru-Bolts                     |
| 8. Outside Cover Plate       | 17. Privacy Pin                    |
| 9. Bolt Sleeves              |                                    |

## LA DUMMY



- |                        |
|------------------------|
| 1. Outside Lever       |
| 2. Outside Cover Plate |
| 3. Outside Sub-plate   |
| 4. Inside Sub-plate    |
| 5. Wood Screws         |
| 6. Inside Cover Plate  |
| 7. Set Screw for Lever |

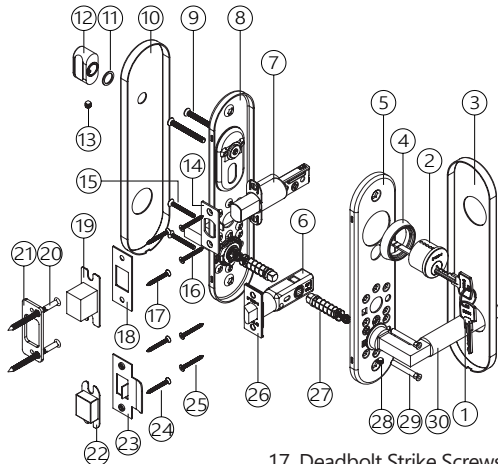
## LA PASSAGE WITH PRIVACY BOLT



- |                                      |                                    |
|--------------------------------------|------------------------------------|
| 1. Outside Lever                     | 13. Privacy Bolt Faceplate Screws  |
| 2. Outside Cover Plate With Sub-rose | 14. Privacy Bolt Strike Screws     |
| 3. Tubular Latch-TL4 Passage         | 15. Privacy Bolt Strike            |
| 4. Privacy Bolt                      | 16. Privacy Bolt Dust box          |
| 5. Lever Spindle 8mm Square          | 17. Tubular Latch Dust Box         |
| 6. Inside Lever                      | 18. Tubular Latch Strike           |
| 7. Inside Sub-plate                  | 19. Tubular Latch Strike Screws    |
| 8. Thru-Bolts for Sub-plate          | 20. Tubular Latch Faceplate Screws |
| 9. Inside Cover Plate                | 21. Faceplate of Privacy Bolt      |
| 10. Thumbturn Washer                 | 22. Faceplate of Tubular Latch     |
| 11. Thumbturn                        | 23. Set Screw for Lever            |
| 12. Set Screw for Thumbturn          |                                    |

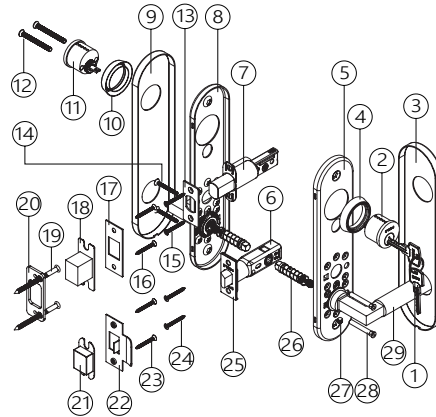
# EXPLODED DIAGRAMS

## LA ENTRY WITH SINGLE CYLINDER



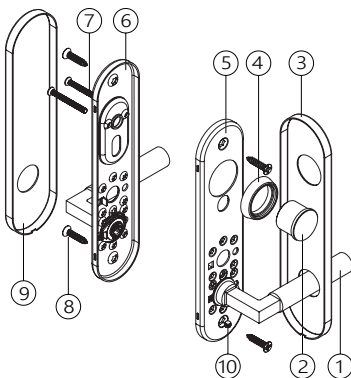
- |                                      |   |
|--------------------------------------|---|
| 1. Keys                              | 17. Deadbolt Strike Screws              |
| 2. Outside Rim Cylinder w/ Tailpiece | 18. Deadbolt Strike                     |
| 3. Outside Cover Plate               | 19. Deadbolt Dust Box                   |
| 4. Outside Cylinder Escutcheon       | 20. Deadbolt Reinforcement Plate Screws |
| 5. Outside Sub-plate                 | 21. Deadbolt Reinforcement Plate        |
| 6. Tubular Latch—TL4 Passage         | 22. Tubular Latch Dust Box              |
| 7. Deadbolt                          | 23. Tubular Latch Strike                |
| 8. Inside Sub-plate                  | 24. Tubular Latch Strike Screws         |
| 9. Cylinder Thru-bolts               | 25. Tubular Latch Faceplate Screws      |
| 10. Inside Cover Plate               | 26. Tubular Latch Faceplate             |
| 11. Thumbturn Washer                 | 27. Lever Spindle 8mm Square            |
| 12. Thumbturn                        | 28. Set Screw for Lever                 |
| 13. Set Screw for Thumbturn          | 29. Bolt Sleeves                        |
| 14. Deadbolt Faceplate               | 30. Outside Lever                       |
| 15. Thru-bolts                       |   |
| 16. Deadbolt Faceplate Screws        |   |

## LA ENTRY WITH DOUBLE CYLINDER



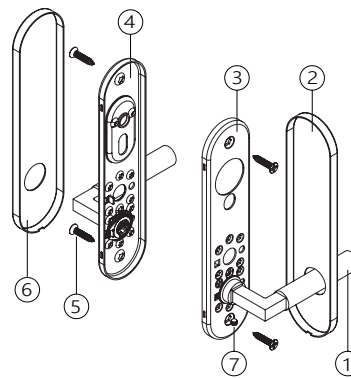
- |                                      |   |
|--------------------------------------|---|
| 1. Keys                              | 16. Deadbolt Strike Screws              |
| 2. Outside Rim Cylinder w/ Tailpiece | 17. Deadbolt Strike                     |
| 3. Outside Cover Plate               | 18. Deadbolt Dust Box                   |
| 4. Outside Cylinder Escutcheon       | 19. Deadbolt Reinforcement Plate Screws |
| 5. Outside Sub-plate                 | 20. Deadbolt Reinforcement Plate        |
| 6. Tubular Latch—TL4 Passage         | 21. Tubular Latch Dust Box              |
| 7. Deadbolt                          | 22. Tubular Latch Strike                |
| 8. Inside Sub-plate                  | 23. Tubular Latch Strike Screws         |
| 9. Inside Cover Plate                | 24. Tubular Latch Faceplate Screws      |
| 10. Inside Cylinder Escutcheon       | 25. Tubular Latch Faceplate             |
| 11. Inside Rim Cylinder w/Tailpiece  | 26. Lever Spindle 8mm Square            |
| 12. Cylinder Thru-bolts              | 27. Set Screw for Lever                 |
| 13. Deadbolt Faceplate               | 28. Bolt Sleeves                        |
| 14. Thru-bolts                       | 29. Outside Lever                       |
| 15. Deadbolt Faceplate Screws        |   |

## LA DUMMY ENTRY



- |                                |                         |
|--------------------------------|-------------------------|
| 1. Outside Lever               | 6. Inside Sub-plate     |
| 2. Outside Blind Cylinder      | 7. Cylinder Thru-bolts  |
| 3. Outside Cover Plate         | 8. Wood Screws          |
| 4. Outside Cylinder Escutcheon | 9. Inside Cover Plate   |
| 5. Outside Sub-plate           | 10. Set Screw for Lever |

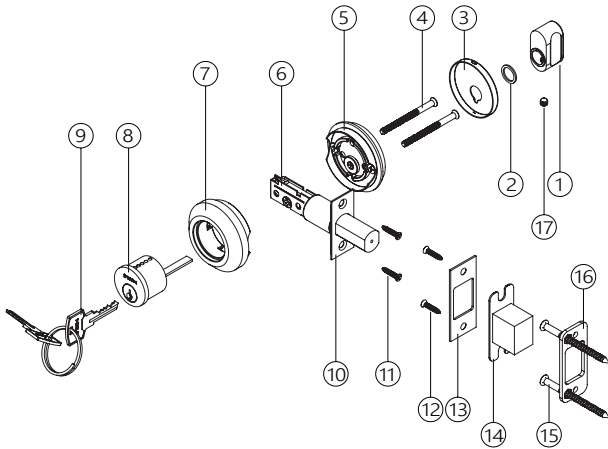
## LA DUMMY PAIR



- |                        |                        |
|------------------------|------------------------|
| 1. Outside Lever       | 6. Inside Cover Plate  |
| 2. Outside Cover Plate | 7. Set Screw for Lever |
| 3. Outside Sub-plate   |                        |
| 4. Inside Sub-plate    |                        |
| 5. Wood Screws         |                        |

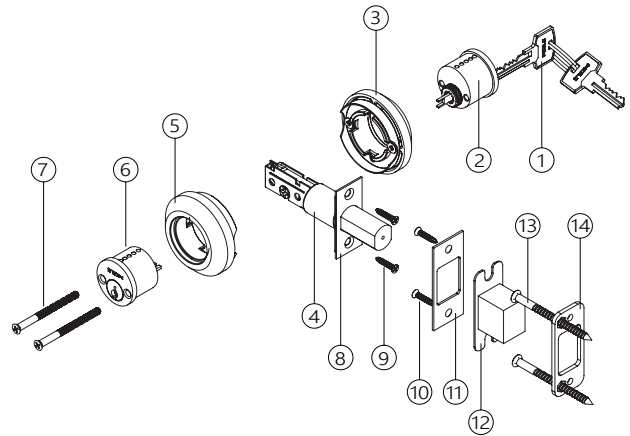
# EXPLODED DIAGRAMS

## RD SINGLE CYLINDER DEADBOLT



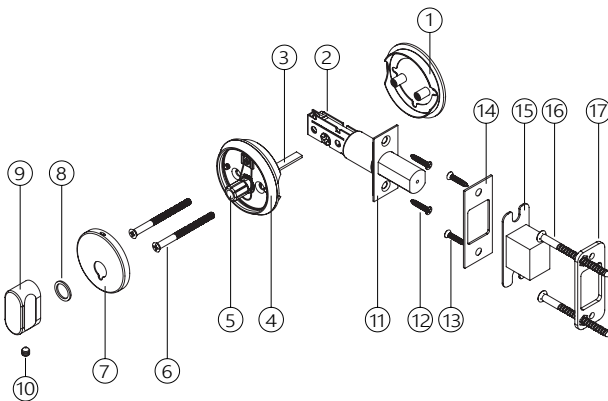
- |                                     |   |
|-------------------------------------|---|
| 1. Thumbturn                        | 10. Deadbolt Faceplate                  |
| 2. Thumbturn Washer                 | 11. Deadbolt Faceplate Screws           |
| 3. Inside Escutcheon Cover          | 12. Deadbolt Strike Screws              |
| 4. Cylinder Thru-bolts              | 13. Deadbolt Strike                     |
| 5. Inside Escutcheon                | 14. Deadbolt Dust Box                   |
| 6. Deadbolt                         | 15. Deadbolt Reinforcement Plate Screws |
| 7. Outside Escutcheon               | 16. Deadbolt Reinforcement Plate        |
| 8. Outside Rim Cylinder w/Tailpiece | 17. Thumbturn Set Screw                 |
| 9. Keys                             |   |

## RD DOUBLE CYLINDER DEADBOLT



- |  |   |
|--|---|
| 1. Keys                                  | 8. Deadbolt Faceplate                   |
| 2. Outside Rim Cylinder w/Folk Tailpiece | 9. Deadbolt Faceplate Screws            |
| 3. Outside Escutcheon                    | 10. Deadbolt Strike Screws              |
| 4. Deadbolt                              | 11. Deadbolt Strike                     |
| 5. Inside Escutcheon                     | 12. Deadbolt Dust Box                   |
| 6. Inside Cylinder w/Folk Tailpiece      | 13. Deadbolt Reinforcement Plate Screws |
| 7. Cylinder Thru-bolts                   | 14. Deadbolt Reinforcement Plate        |

## RD COMMUNICATING DEADBOLT

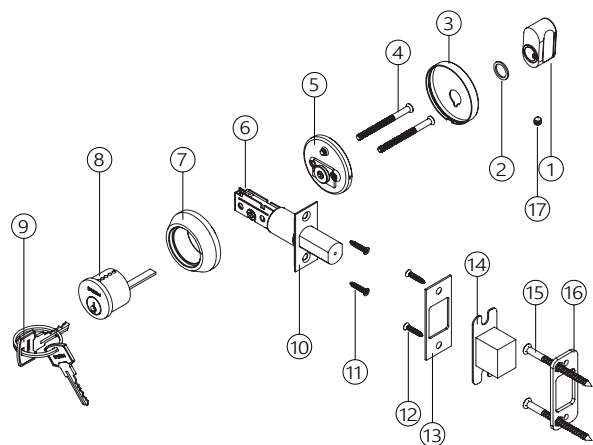


- |                            |   |
|----------------------------|---|
| 1. Outside Blind Rose      | 10. Thumbturn Set Screw                 |
| 2. Deadbolt                | 11. Deadbolt Faceplate                  |
| 3. Tailpiece               | 12. Deadbolt Faceplate Screws           |
| 4. Escutcheon              | 13. Deadbolt Strike Screws              |
| 5. Thumbturn Shaft         | 14. Deadbolt Strike                     |
| 6. Thru-bolts              | 15. Deadbolt Dust Box                   |
| 7. Inside Escutcheon Cover | 16. Deadbolt Reinforcement Plate Screws |
| 8. Thumbturn Washer        | 17. Deadbolt Reinforcement Plate        |
| 9. Thumbturn               |   |



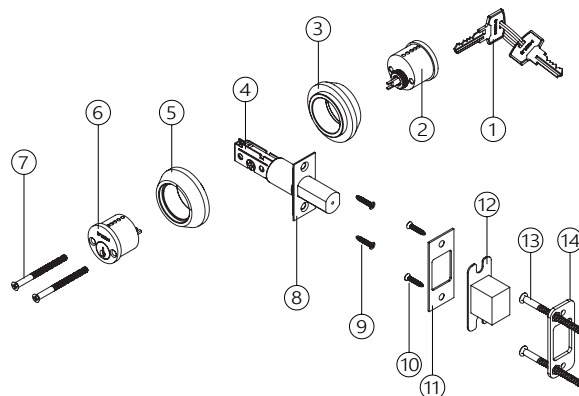
# EXPLODED DIAGRAMS

## GD SINGLE CYLINDER DEADBOLT



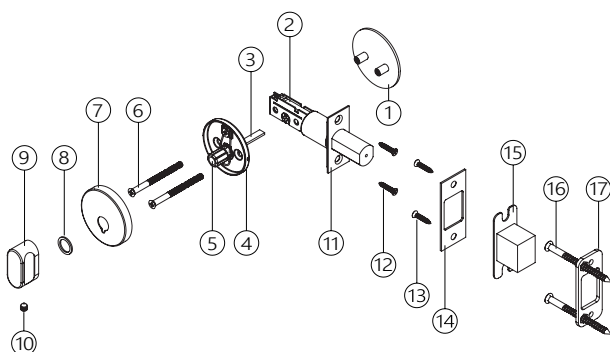
- |                                     |   |
|-------------------------------------|---|
| 1. Thumbturn                        | 10. Deadbolt Faceplate                  |
| 2. Thumbturn Washer                 | 11. Deadbolt Faceplate Screws           |
| 3. Inside Escutcheon Cover          | 12. Deadbolt Strike Screws              |
| 4. Cylinder Thru-bolts              | 13. Deadbolt Strike                     |
| 5. Inside Escutcheon                | 14. Deadbolt Dust Box                   |
| 6. Deadbolt                         | 15. Deadbolt Reinforcement Plate Screws |
| 7. Outside Escutcheon               | 16. Deadbolt Reinforcement Plate        |
| 8. Outside Rim Cylinder w/Tailpiece | 17. Thumbturn Set Screw                 |
| 9. Keys                             |   |

## GD DOUBLE CYLINDER DEADBOLT



- |  |   |
|--|---|
| 1. Keys                                  | 8. Deadbolt Faceplate                   |
| 2. Outside Rim Cylinder w/Folk Tailpiece | 9. Deadbolt Faceplate Screws            |
| 3. Outside Escutcheon                    | 10. Deadbolt Strike Screws              |
| 4. Deadbolt                              | 11. Deadbolt Strike                     |
| 5. Inside Escutcheon                     | 12. Deadbolt Dust Box                   |
| 6. Inside Cylinder w/Folk Tailpiece      | 13. Deadbolt Reinforcement Plate Screws |
| 7. Cylinder Thru-bolts                   | 14. Deadbolt Reinforcement Plate        |

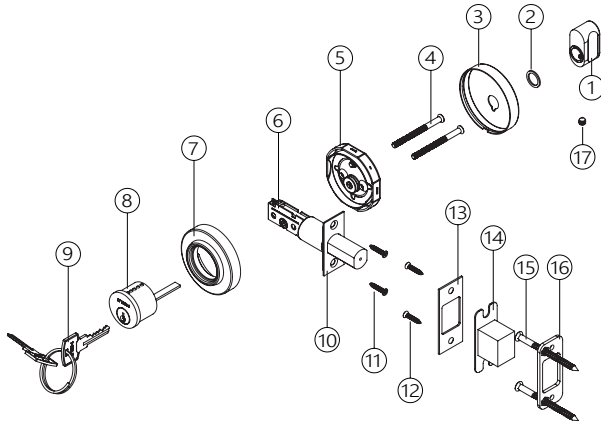
## GD COMMUNICATING DEADBOLT



- |                            |   |
|----------------------------|---|
| 1. Outside Blind Rose      | 10. Thumbturn Set Screw                 |
| 2. Deadbolt                | 11. Deadbolt Faceplate                  |
| 3. Tailpiece               | 12. Deadbolt Faceplate Screws           |
| 4. Escutcheon              | 13. Deadbolt Strike Screws              |
| 5. Thumbturn Shaft         | 14. Deadbolt Strike                     |
| 6. Thru-bolts              | 15. Deadbolt Dust Box                   |
| 7. Inside Escutcheon Cover | 16. Deadbolt Reinforcement Plate Screws |
| 8. Thumbturn Washer        | 17. Deadbolt Reinforcement Plate        |
| 9. Thumbturn               |   |

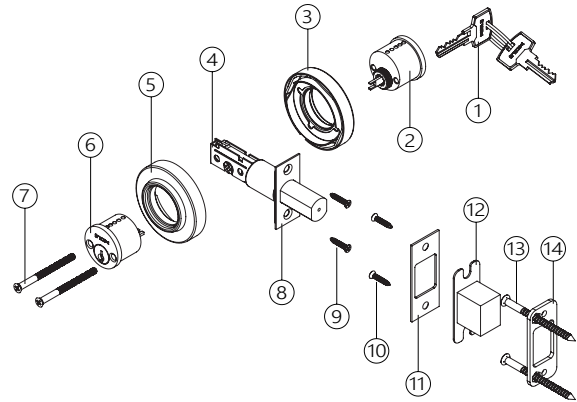
# EXPLODED DIAGRAMS

## CD SINGLE CYLINDER DEADBOLT



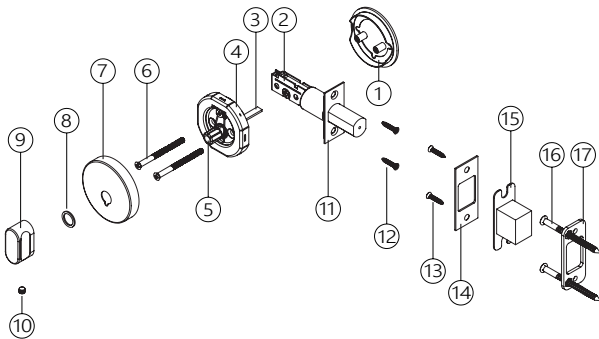
- |                                     |   |
|-------------------------------------|---|
| 1. Thumbturn                        | 10. Deadbolt Faceplate                  |
| 2. Thumbturn Washer                 | 11. Deadbolt Faceplate Screws           |
| 3. Inside Escutcheon Cover          | 12. Deadbolt Strike Screws              |
| 4. Cylinder Thru-bolts              | 13. Deadbolt Strike                     |
| 5. Inside Escutcheon                | 14. Deadbolt Dust Box                   |
| 6. Deadbolt                         | 15. Deadbolt Reinforcement Plate Screws |
| 7. Outside Escutcheon               | 16. Deadbolt Reinforcement Plate        |
| 8. Outside Rim Cylinder w/Tailpiece | 17. Thumbturn Set Screw                 |
| 9. Keys                             |   |

## CD DOUBLE CYLINDER DEADBOLT



- |  |   |
|--|---|
| 1. Keys                                  | 8. Deadbolt Faceplate                   |
| 2. Outside Rim Cylinder w/Folk Tailpiece | 9. Deadbolt Faceplate Screws            |
| 3. Outside Escutcheon                    | 10. Deadbolt Strike Screws              |
| 4. Deadbolt                              | 11. Deadbolt Strike                     |
| 5. Inside Escutcheon                     | 12. Deadbolt Dust Box                   |
| 6. Inside Cylinder w/Folk Tailpiece      | 13. Deadbolt Reinforcement Plate Screws |
| 7. Cylinder Thru-bolts                   | 14. Deadbolt Reinforcement Plate        |

## CD COMMUNICATING DEADBOLT


















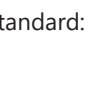





















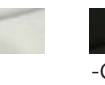


- |                            |   |
|----------------------------|---|
| 1. Outside Blind Rose      | 10. Thumbturn Set Screw                 |
| 2. Deadbolt                | 11. Deadbolt Faceplate                  |
| 3. Tailpiece               | 12. Deadbolt Faceplate Screws           |
| 4. Escutcheon              | 13. Deadbolt Strike Screws              |
| 5. Thumb-turn Shaft        | 14. Deadbolt Strike                     |
| 6. Thru-bolts              | 15. Deadbolt Dust Box                   |
| 7. Inside Escutcheon Cover | 16. Deadbolt Reinforcement Plate Screws |
| 8. Thumbturn Washer        | 17. Deadbolt Reinforcement Plate        |
| 9. Thumbturn               |   |

# HOW TO ORDER


## Tubular Leversets for Swing Doors

To order locksets, please describe the additional requirements in the same sequence as below. Please see price book for parts or additional service upcharge.

Rose	Lever	Function	Finish	Handing
<b>SH</b>	<b>318</b>	<b>L475</b>	<b>-32D</b>	<b>-LH</b>
<b>1</b>	<b>2</b>	<b>3</b>	<b>4</b>	<b>5</b>
ROSE	LEVER	FUNCTION		
 RA  SE  GT  GS  LA  SF  SH	 101  104  107  210  214  223  227  251  311  320  345	 102  105  108  211  217  225  243  276  318  321  346	 103  106  109  213  221  226  244  300  319  344  351	<p><u>Tubular Latch</u></p> <p>L461 Tubular Latch, Passage with TL4 Latch, 2-3/8" Backset                      L462 Tubular Latch, Privacy with TL4 Latch, 2-3/8" Backset                      L465 Tubular Latch, Half Passage with TL4 Latch, 2-3/8" Backset                      L466 Tubular Latch, Passage with TL4 Latch and Privacy Bolt, 2-3/8" Backset (For LA, SF only)                      L471 Tubular Latch, Passage with TL4 Latch, 2-3/4" Backset                      L472 Tubular Latch, Privacy with TL4 Latch, 2-3/4" Backset                      L475 Tubular Latch, Half Passage with TL4 Latch, 2-3/4" Backset                      L476 Tubular Latch, Passage with TL4 Latch and Privacy Bolt, 2-3/4" Backset (For LA, SF only)</p> <p>DL Dummy Single Left                      DR Dummy Single Right                      DP Dummy Pair (Lower Lever Position) (For LA,SF only)                      MDP Dummy Pair (Higher Lever Position) (For LA,SF only)</p> <p><u>Tubular Latch and Deadbolt Combo</u></p> <p>C463 Combo Deadbolt and TL4 Latch, 2-3/8" Backset, Single Cylinder                      C473 Combo Deadbolt and TL4 Latch, 2-3/4" Backset, Single Cylinder                      C464 Combo Deadbolt and TL4 Latch, 2-3/8" Backset, Double Cylinder                      C474 Combo Deadbolt and TL4 Latch, 2-3/4" Backset, Double Cylinder                      EDP Dummy Entry with Dummy Cylinder</p> <p><u>Magnetic Tubular Latch</u></p> <p>L761 Magnetic Tubular Latch, Passage with TL7 Latch, 2-3/8" Backset                      L762 Magnetic Tubular Latch, Privacy with TL7 Latch, 2-3/8" Backset                      L771 Magnetic Tubular Latch, Passage with TL7 Latch, 2-3/4" Backset                      L772 Magnetic Tubular Latch, Privacy with TL7 Latch, 2-3/4" Backset</p>



### 4 FINISH

Standard:					
	-32D	-C19G	-C19	-CGY	-CDB
					
	-32	-PVD4	-10B	-19G	-SP

### 5 HANDING\*

-RH = Right Hand      -LH = Left Hand      -RHR = Right Hand Reverse      -LHR = Left Hand Reverse

\*Specify for half passage, passage w/ privacy bolt and entry functions.

## HOW TO ORDER Deadbolt for Swing Doors

To order locksets, please describe the additional requirements in the same sequence as below. Please see price book for parts or additional service upcharge.

Escutcheon	Function	Backset	Finish
<b>RD</b>	<b>110</b>	<b>B6</b>	<b>-32D</b>
<b>1</b>	<b>2</b>	<b>3</b>	<b>4</b>

### ESCUTCHEON



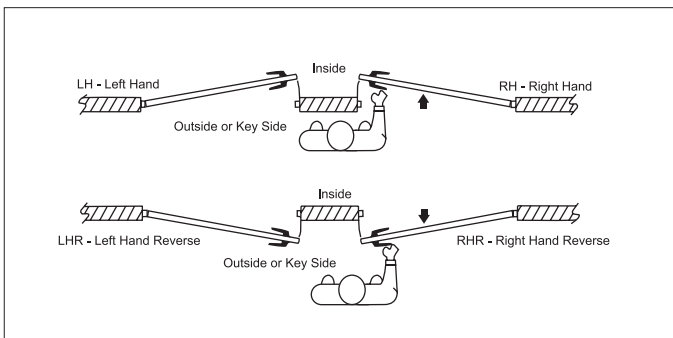
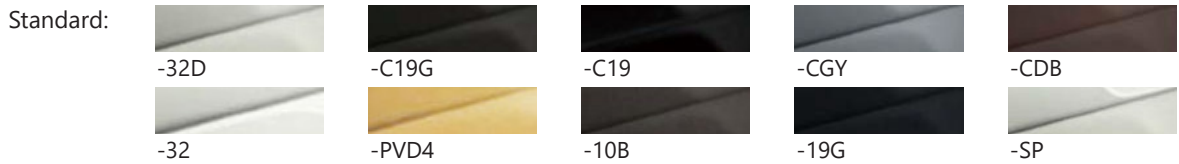
### FUNCTION

- 110 Single Cylinder Deadbolt for RD/GD/CD
- 120 Double Cylinder Deadbolt for RD/GD/CD
- 192 Communicating Deadbolt for RD/GD/CD
- 310 Single Cylinder Deadbolt for SD/HD/LD
- 320 Double Cylinder Deadbolt for SD/HD/LD
- 392 Communicating Deadbolt for SD/HD/LD

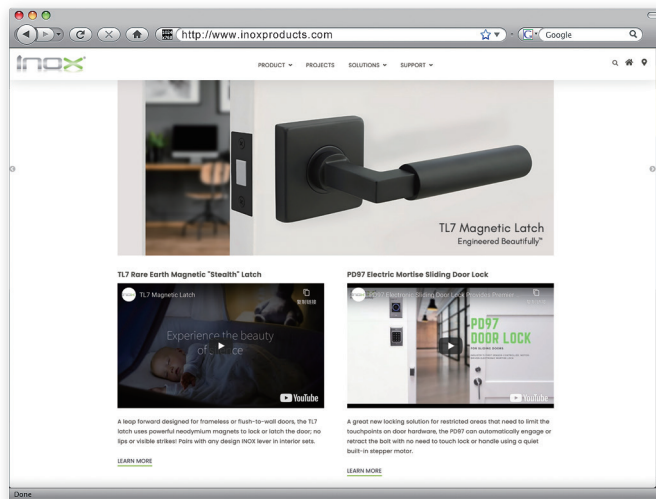
### 3 BACKSET

- B6 = 2-3/8" Backset
- B7 = 2-3/4" Backset

### 4 FINISH







Please visit our website  
[www.inoxproducts.com](http://www.inoxproducts.com)  
for more technical and new product information.

**Unison Hardware, Inc.**  
6 Wayne Court, Sacramento CA 95829, USA Tel: +1.916.388.1888  
Email: [info@unisonhardware.com](mailto:info@unisonhardware.com)