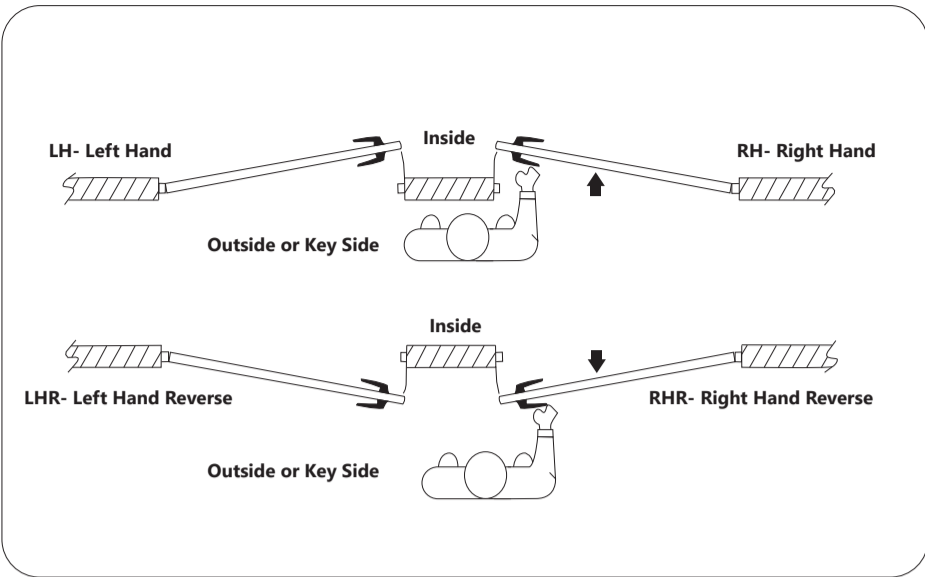
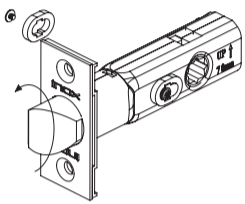


Determine Door Handing and Set Lock Case Direction



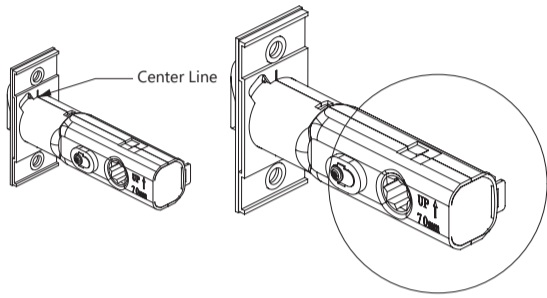
Change Latch Bolt Direction for TL4 Latch

TL4 Latch
28 Degree retraction latch



Determine door handing for latch and remove INSIDE washer (privacy pin side). Change the latch direction 180 degrees with the faceplate together.

NOTE: Be sure to install the latch with faceplate attached to the latch body.

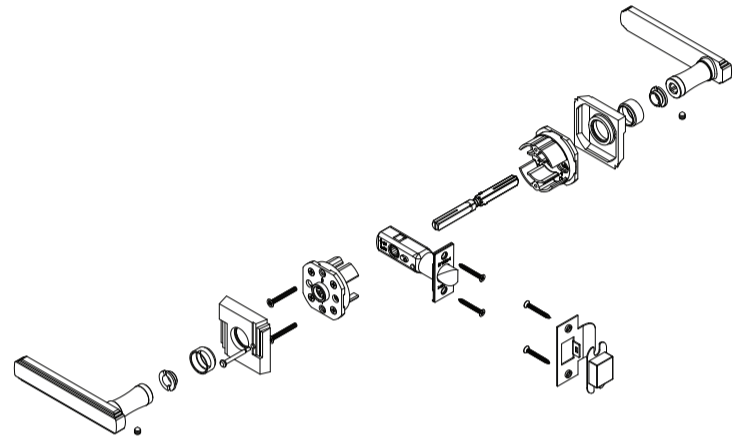


NOTE: Please ensure the center line on the back of the faceplate meets the center seam of the latch case.

NOTE: Please ensure the latch has the ARROW facing up.

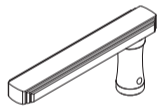


Art Deco Installation Instructions

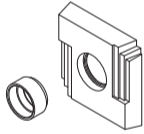


PM-ISAD-MT
V20250220

Tubular Dummy Component List



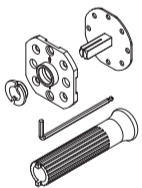
Single Lever



Rosette



4x
M4X25
Wood Screw

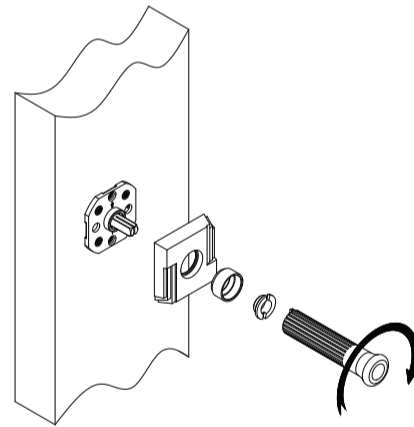


Single Dummy Bracket
Fixing Pack

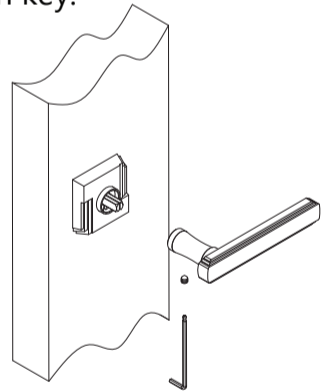


2x
M3X20
Wood Screw

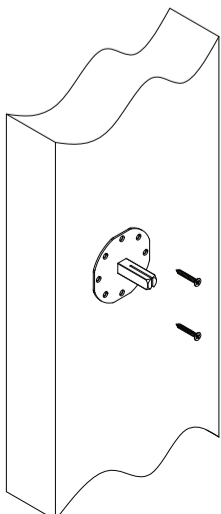
Step 3: Using the wrench, securely tighten the slotted nut to fasten the trim in place.



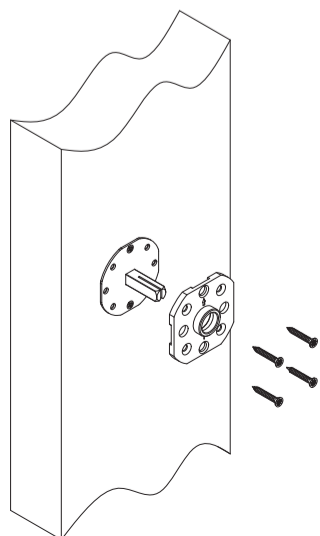
Step 4: Slide the lever onto the spindle and secure it in place using the provided set screw and Allen key.



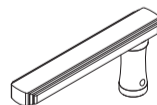
Step 1: Install the dummy spindle using (2) M3x20 wood screws. NOTE: The slot position of the spindle must be oriented vertically down. See image below.



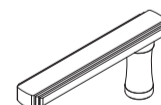
Step 2: Install dummy bracket using (4) M4x25 wood screws.



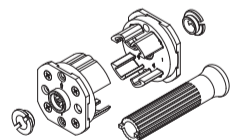
Passage/Privacy Component List



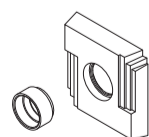
Left Lever



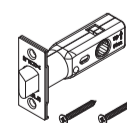
Right Lever



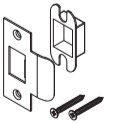
Bracket



Rosette



TL4 Tubular/Privacy Latch



Strike



Spindle



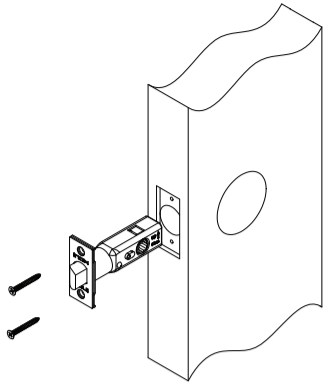
Allen Key



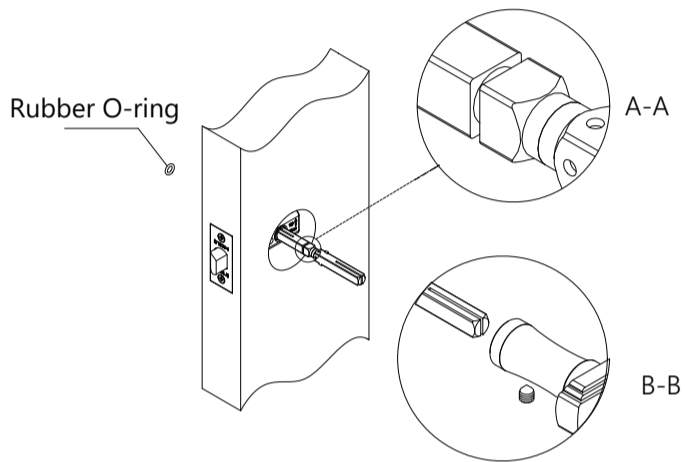
2x
M4X35mm
Machine Screws

Passage/Privacy: Installation Instructions

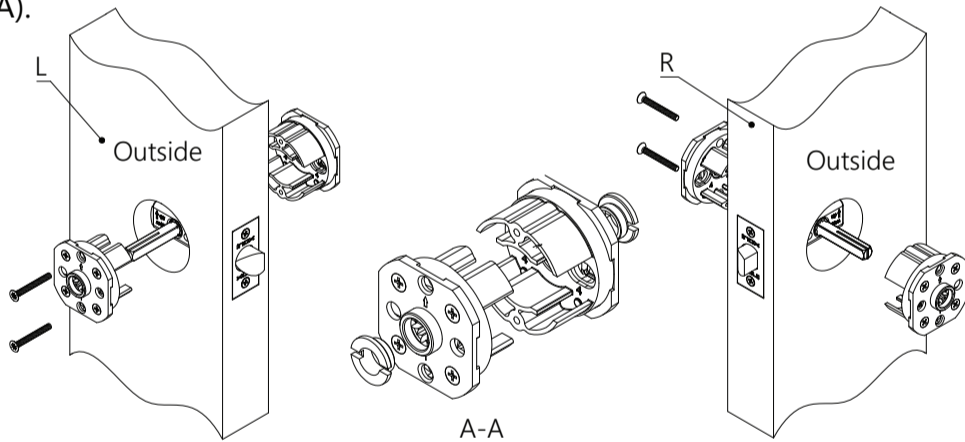
Step 1: Determine the latch direction prior to installation. Install the TL4 latch using (2) M4x35 wood screws. Mount the strike plate and strike box on the door frame with the (2) M4x25 wood screws.



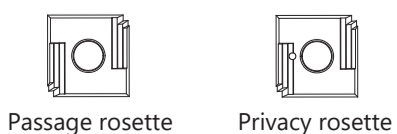
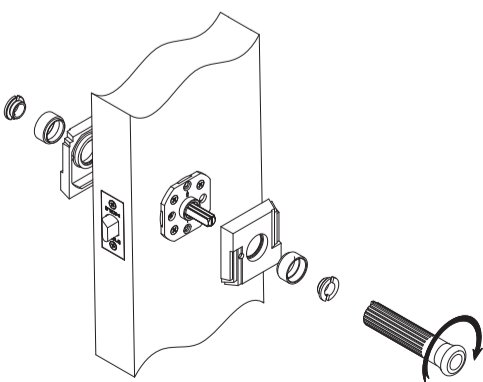
Step 2: Install the spindle until it reaches the limit position, then place the rubber O-ring onto the spindle on the opposite side (Fig. A-A). Ensure the spindle slot is oriented vertically downward during installation (Fig. B-B).



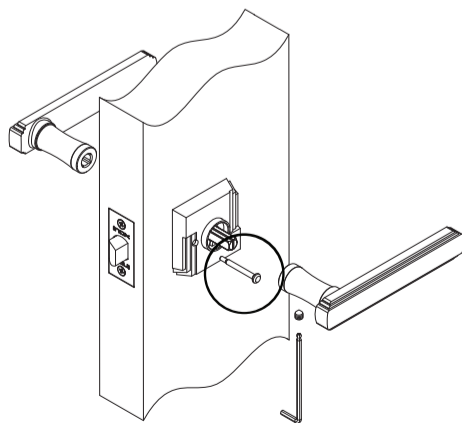
Step 3: Ensure the arrow is pointing up on the bracket. Install the bracket onto the door. Secure the bracket in place with (2) M4x35 wood screws.
NOTE: Before installing the bracket, remove the slotted nut (see Fig. A-A).



Step 4: Install the trim rose. Ensure you select the correct rosette based on its function (the Privacy rosette contains a hole for the privacy pin). Secure the rosette using the slotted nut and the provided plastic wrench, ensuring the cover remains level while tightening.

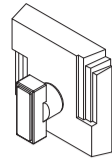


Step 5: Install levers by sliding them onto the spindle. Secure with provided set screw & Allen key.

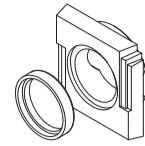


As shown in the figure, the privacy pin must be installed for the Privacy function, but it is not required for the Passage function.

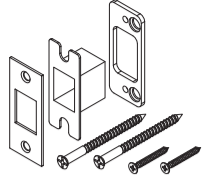
Deadbolt Component List



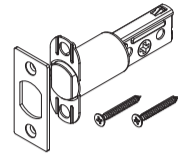
Interior Escutcheon



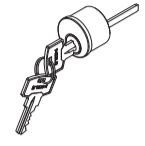
Exterior Escutcheon



Strike



BT Deadbolt Latch

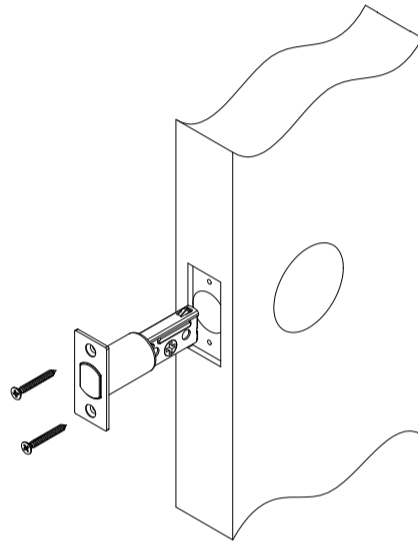


CRB105 Cylinder

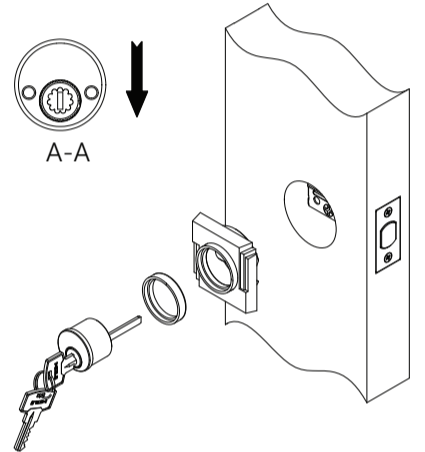


Installation Plate & Fixing

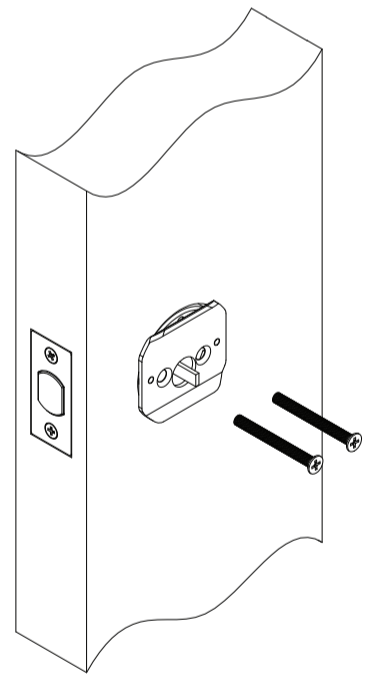
Step 1: Install the Deadbolt by securing the faceplate with screws.



Step 2: Install the Exterior Escutcheon, Collar, and Cylinder. NOTE: When installing the cylinder, ensure that the tailpiece is positioned vertically downward (see Fig. A-A).



Step 3: Secure the Installation Plate by tightening the screws.



Step 4: Install the interior escutcheon by securing it with the wrench and set screw. NOTE: Ensure the set screw hole on the escutcheon is oriented vertically downward (see Fig. B-B).

