



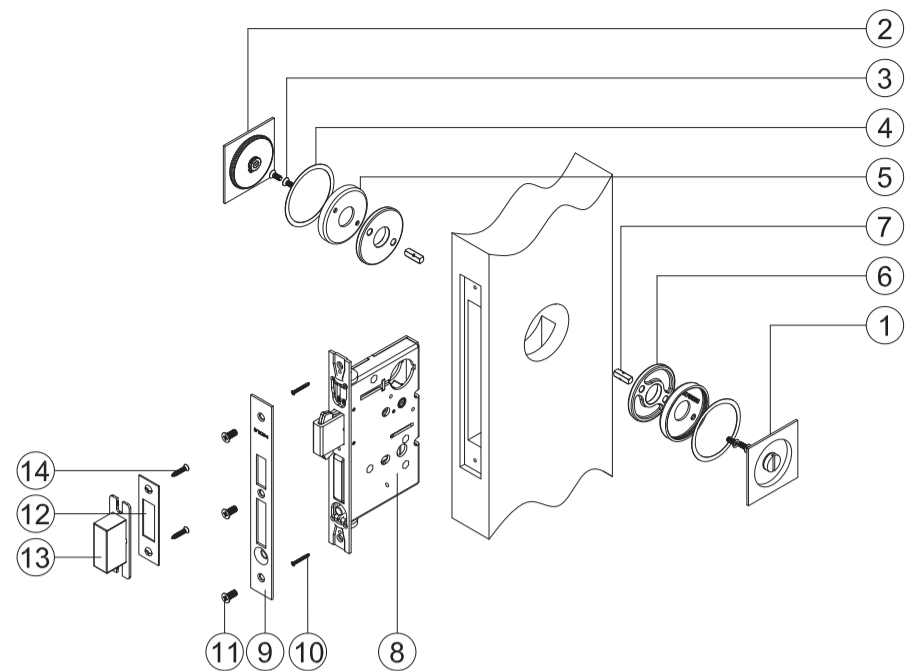
PD8000 MORTISE LOCKSETS FOR SLIDING AND POCKET DOOR

With 22CF & 23CF Flush Pull

INSTALLATION INSTRUCTIONS (PM-ISPD8000-PD5000-CF-V20250113)



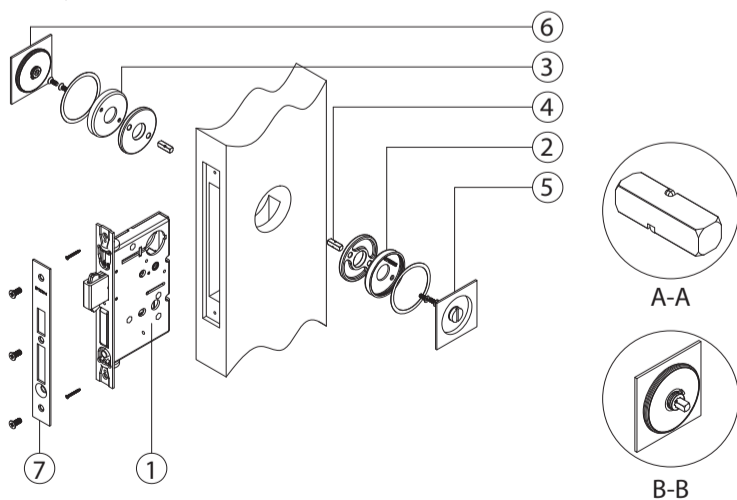
Unison Hardware Inc.
6 Wayne Court, Sacramento, CA 95829, USA
Tel: +1.916.388.1888 Fax: +1.916.388.8322
Email: info@unisonhardware.com Web: www.inoxproducts.com



Item	No.	Parts Description	Function			Notes
			Privacy	Passage	Patio	
Flush Pull Parts	1	Outside Flush Pull	1 EA	1 EA	1 EA	
	2	Inside Flush Pull	1 EA	1 EA	1 EA	
	3	#8mm Machine Screw	4 EA	4 EA	4 EA	
	4	Washer	2 EA	2 EA	2 EA	For FH23CF Only
	5	Sub Rose	2 EA	2 EA	2 EA	
	6	1-3/4" Door Spacer	2 EA	2 EA	2 EA	
	7	Spindle	2 EA	---	1 EA	
Locks	8	Mortise Pocket Lock	1 EA	1 EA	1 EA	
	9	Armored Faceplate	1 EA	1 EA	1 EA	
	10	#8screws for Inner Faceplate	2 EA	2 EA	2 EA	
	11	#8screws for Armored Faceplate	3 EA	3 EA	3 EA	
	12	Strike Plate	1 EA	1 EA	1 EA	
	13	Dust Box	1 EA	1 EA	1 EA	
Others		Door Prep Template	1 EA	1 EA	1 EA	
		Installation Instruction	1 EA	1 EA	1 EA	

Door thickness: 1-3/4" (45mm) FH22CF/FH23CF Flush Pull with PD8000 Pocket Door Lock Installation Instructions:

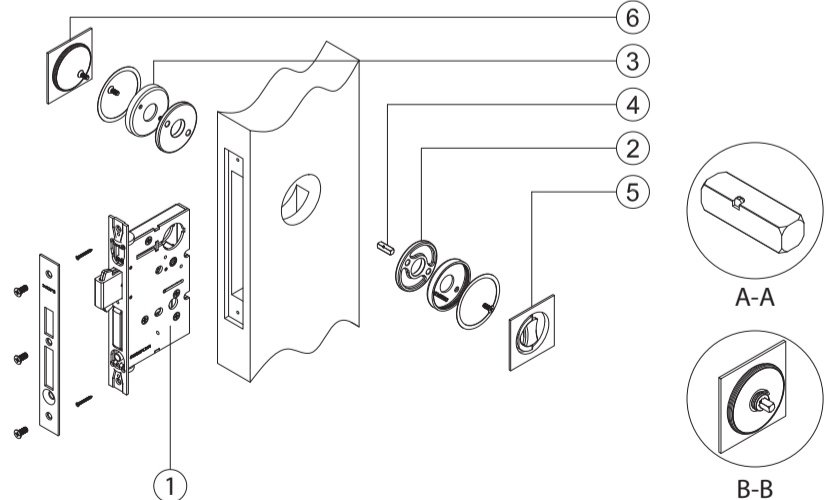
For Passage, Privacy w/ Lockcase Function: PD8010, PD8440



1. Install mortise lockcase.
2. Install outside sub rose & spacer with M4x10mm machine screw; please make sure the bolt operates smoothly after installation.
3. Install inside sub rose & spacer with M4x10mm machine screw; please make sure the bolt operates smoothly after installation.
4. Insert spindle into the spindle hole of mortise lockcase outside & inside.
Note: Make sure the short side of the spindle is inserted into the lock body. See Section A-A.
5. Install outside flush pull.
Note: Please make sure the spindle hole of the trim aligns the spindle. See section B-B.
6. Install inside flush pull.
Note: Please make sure the spindle hole of the trim aligns the spindle. See section B-B.
7. Install faceplate with screws.

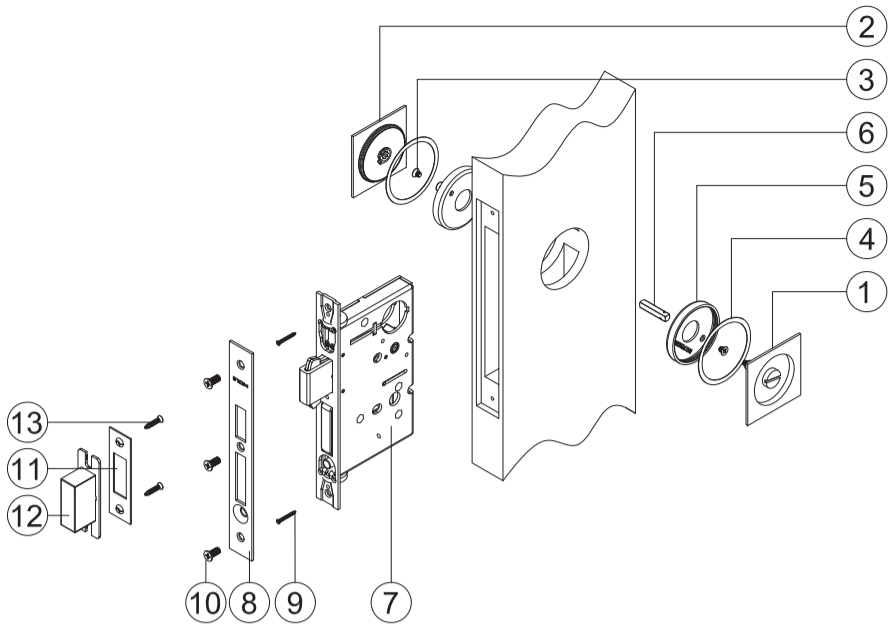
Door thickness: 1-3/4" (45mm) FH22CF/FH23CF Flush Pull with PD8000 Pocket Door Lock Installation Instructions:

For Patio Function: PD8460



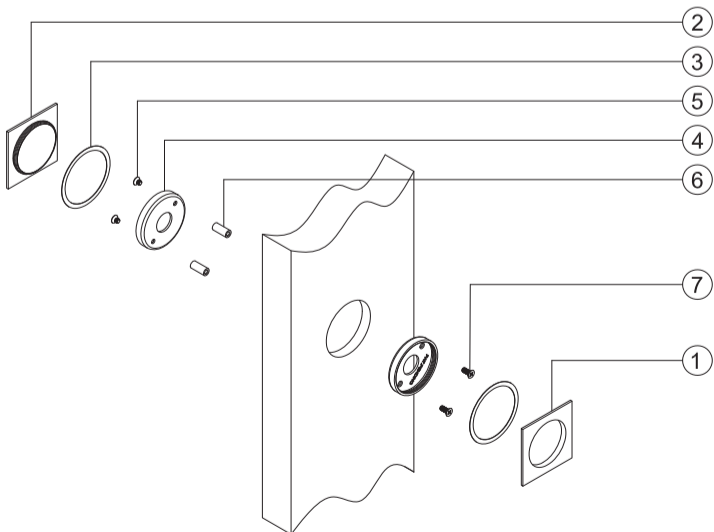
1. Install mortise lockcase.
2. Install outside sub rose & spacer with M4x10mm machine screw; please make sure bolt operates smoothly after installation.
3. Install inside base & spacer with M4x10mm machine screw; please make sure bolt operates smoothly after installation.
4. Insert spindle into the spindle hole of mortise lockcase inside.
Note: Make sure the short side of the spindle is inserted into the lock body. See Section A-A.
5. Install inside flush pull.
Note: Please make sure the spindle hole of the trim aligns the spindle. See section B-B.
6. Install outside flush pull.
7. Install faceplate with screws.

8000 Series Pocket Door Lock Set with door thickness 1-3/8" (35mm) Parts List:
(With FH22CF/FH23CF Flush Pull)



Item	No.	Parts Description	Function			
			Privacy	Passage	Patio	Notes
Flush Pull Parts	1	Outside Flush Pull	1 EA	1 EA	1 EA	
	2	Inside Flush Pull	1 EA	1 EA	1 EA	
	3	#8x5mm Machine Screw	4 EA	4 EA	4 EA	
	4	Washer	2 EA	2 EA	2 EA	For FH23CF Only
	5	Sub Rose	2 EA	2 EA	2 EA	
	6	Spindle	1 EA	---	1 EA	
Locks	7	Mortise Pocket Lock	1 EA	1 EA	1 EA	
	8	Armored Faceplate	1 EA	1 EA	1 EA	
	9	#8screws for Inner Faceplate	2 EA	2 EA	2 EA	
	10	#8screws for Armored Faceplate	3 EA	3 EA	3 EA	
	11	Strike Plate	1 EA	1 EA	1 EA	
	12	Dust Box	1 EA	1 EA	1 EA	
	13	Screws for Strike Plate	2 EA	2 EA	2 EA	
Others		Door Prep Template	1 EA	1 EA	1 EA	
		Installation Instruction	1 EA	1 EA	1 EA	

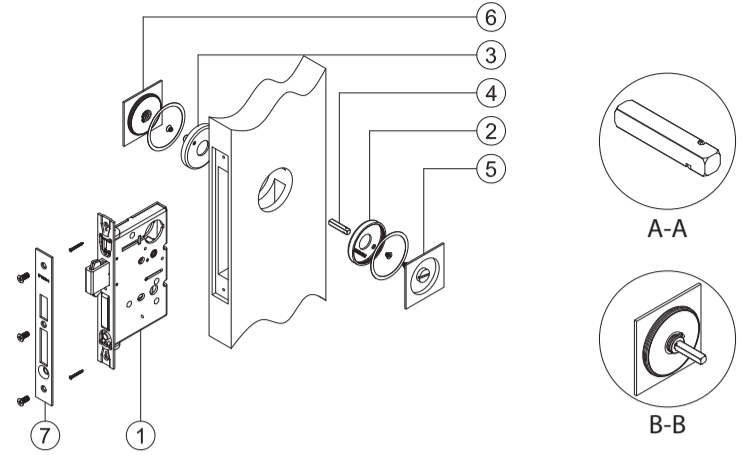
Pocket Door Lock Set with Door Thickness 1-3/8" (35mm) & 1-3/4" (45mm) Parts List:
(With FH22CF/FH23CF Flush Pull)



Item	No.	Parts Description	Function
			Dummy Pair
Flush Pull Parts	1	Outside Flush Pull	1 EA
	2	Inside Flush Pull	1 EA
	3	M4 x15mm Machine Screw	4 EA
	4	Washer	2 EA
	5	Sub Rose	2 EA
Others		Door Prep Template	1 EA
		Installation Instruction	1 EA

Door thickness: 1-3/8" (35mm) FH22CF/FH23CF Flush Pull with PD8000
Pocket Door Lock Installation Instructions:

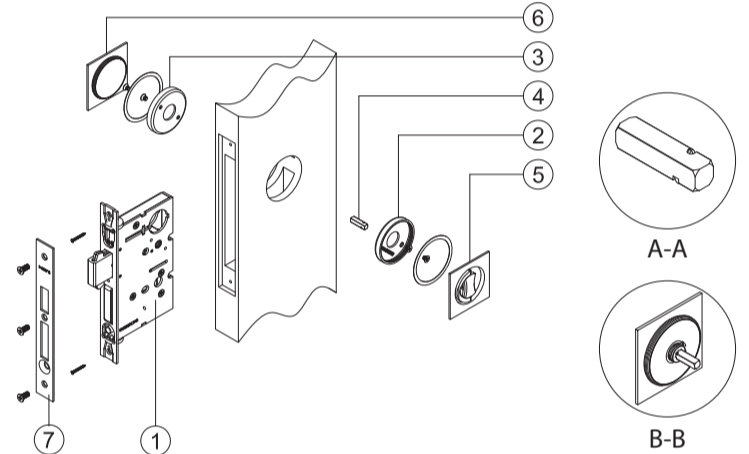
For Passage, Privacy w/ Lockcase Function: PD8010, PD8440



1. Install mortise lockcase.
2. Install outside sub rose with M4 x5mm machine screw; please make sure bolt operates smoothly after installation.
3. Install inside sub rose with M4 x5mm machine screw; please make sure bolt operates smoothly after installation.
4. Insert spindle into the spindle hole of mortise lockcase outside.
Note: Make sure the long side of the spindle is inserted into the lock body. See Section A-A.
5. Install outside flush pull.
Note: Please make sure the spindle hole of the trim aligns the spindle. See section B-B.
6. Install inside flush pull.
Note: Please make sure the spindle hole of the trim aligns the spindle. See section B-B.
7. Install faceplate with screws.

Door thickness: 1-3/8" (35mm) FH22CF/FH23CF Flush Pull with PD8000
Pocket Door Lock Installation Instructions:

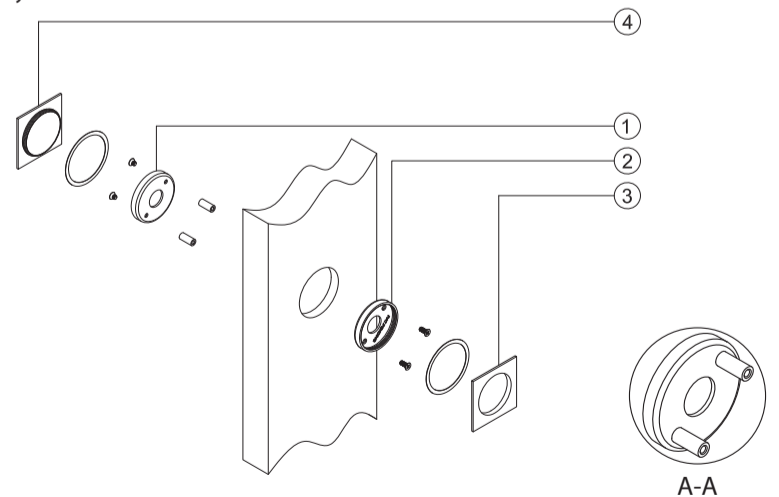
For Patio Function: PD8460



1. Install mortise lockcase.
2. Install outside sub rose with M4 x5mm machine screw; please make sure bolt operates smoothly after installation.
3. Install inside sub rose with M4 x5mm machine screw; please make sure bolt operates smoothly after installation.
4. Insert spindle into the spindle hole of mortise lockcase.
Note: Make sure the long side of the spindle is inserted into the lock body. See Section A-A.
5. Install inside flush pull.
Note: Please make sure the spindle hole of the trim aligns the spindle. See section B-B.
6. Install outside flush pull.
7. Install faceplate with screws.

Door thickness: 1-3/8" (35mm) & 1-3/4" (45mm) FH22CF/FH23CF Flush Pull
with Pocket Door Lock Installation Instructions:

For Dummy Pair Function: DP



1. Fix bolt sleeve on the inside sub rose with M4 machine screw. See section A-A. (please use different size of screws according to door thickness)
2. Fix outside sub rose on the bolt sleeve with M4 machine screws.
3. Install outside flush pull.
4. Install inside flush pull.