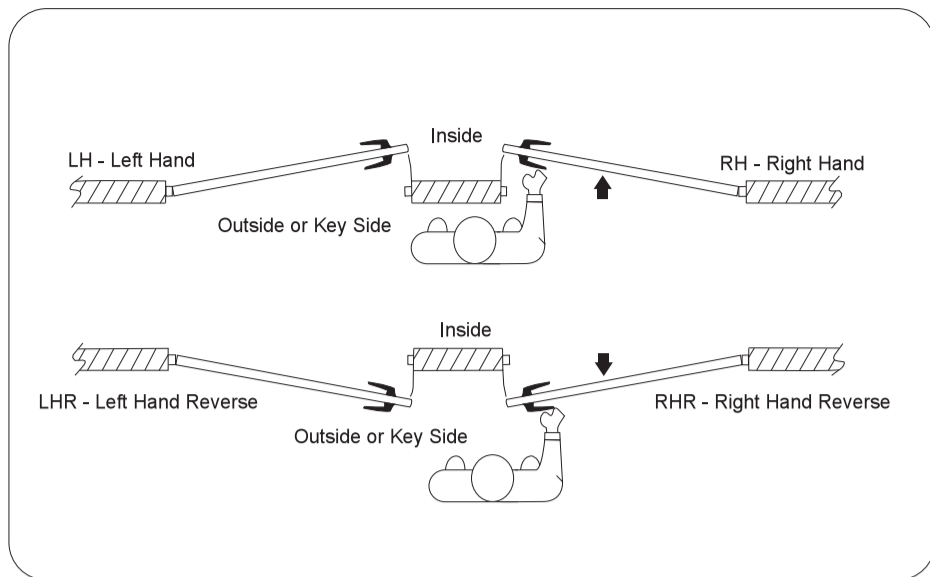


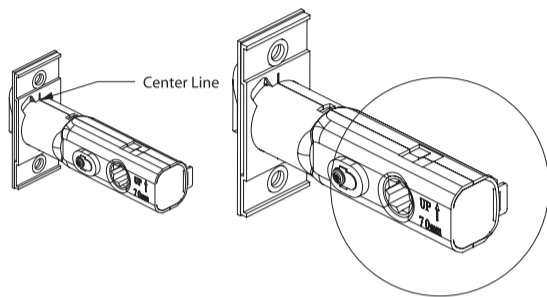
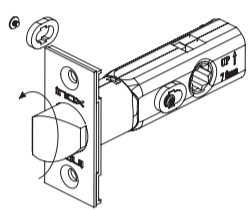
### Determine Door Handing and Set Lock Case Direction



## RA/SE/SH/GT/GS Tubular Latch GT/GS/GR/SR Privacy Bolt Installation Instructions

### Change Latch Bolt Direction for TL4 Latch

TL4 Latch  
28 degree retraction latch



Determine door handing for latch and remove INSIDE washer (privacy pin side). Change the latch direction 180° with the faceplate together.

Note: Be sure to install the latch with faceplate attached to the latch body.

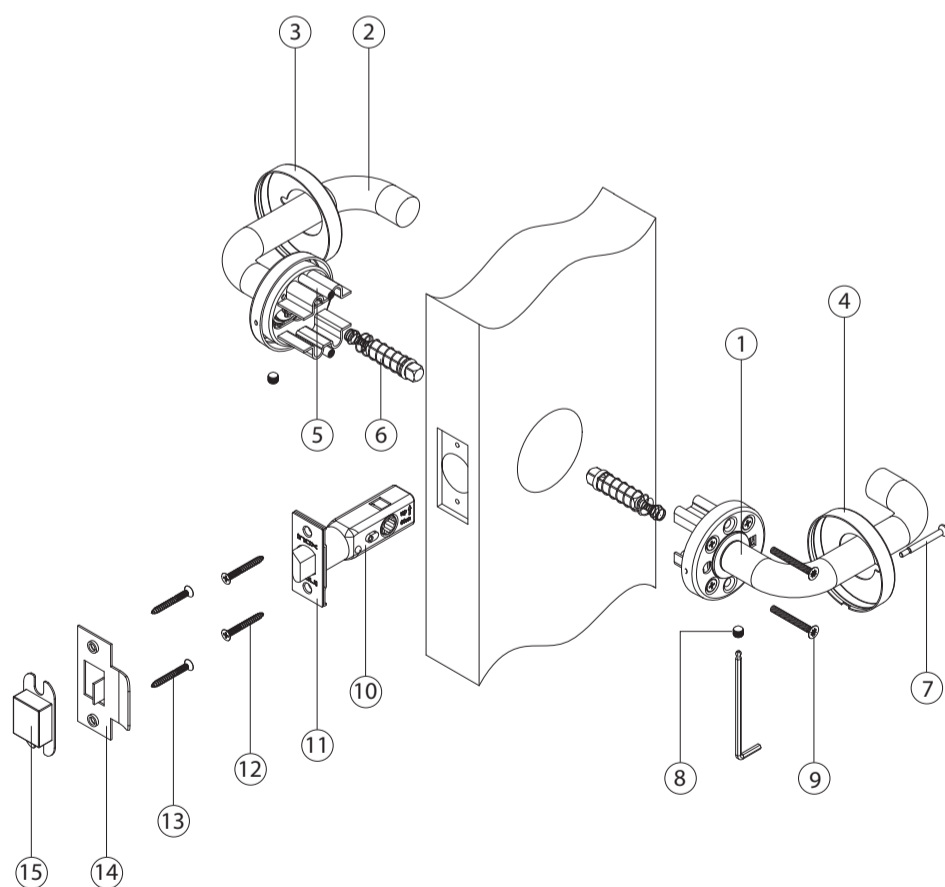
Note: Please ensure the center line on the back of the faceplate meets the center seam of the latch case.

Note: Please ensure the latch has the Arrow facing up.

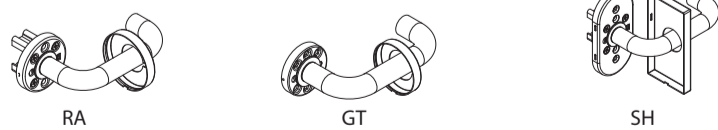
Tubular Latch  
Privacy Bolt

PM-ISTLPB-4438  
V20250125

### RA/SE/SH/GT/GS Rose with Tubular Latch Parts List:



#### Section A



#### Section B



Items	No.	Parts Description	Function				
			Privacy	Passage	Full Dummy	Half Dummy	Half Passage
Leverset Parts	1	Rose Inside w/Lever (Section A)	1 EA	1 EA	1 EA	1 EA	1 EA
	2	Rose Outside w/Lever (Section B)	1 EA	1EA	1 EA	-	-
	3	Outside Rose Cover	1 EA	1 EA	1 EA	-	-
	4	Inside Rose Cover	1 EA	1 EA	1 EA	1 EA	1 EA
	5	M4 x 40mm Bolt Sleeves	2 EA	2 EA	-	-	2 EA
	6	8 x 1-3/4" (45mm) Spring Spindle	2 EA	2 EA	-	-	1 EA
	-	Dummy Spindle for RA/SE	-	-	2 EA	1 EA	-
	-	#6 x 1" Wood Screws for RA/SE	-	-	6 EA	3 EA	-
	7	Privacy Pin	1 EA	-	-	-	-
	8	Set Screw	2 EA	2 EA	2 EA	1 EA	1 EA
	9	M4 x 1-3/8" (35mm) Machine Screw	2 EA	2 EA	-	-	2 EA
	-	#8 x 1" Wood Screws	-	-	8 EA	4 EA	-
Locks	10	Tubular Latch	1 EA	1 EA	-	-	1 EA
	11	Tubular Latch Faceplate	1 EA	1 EA	-	-	1 EA
	12	8# Screws for Tubular Latch Faceplate	2 EA	2 EA	-	-	2 EA
	13	8# Screws for Tubular Latch Striking Plate	2 EA	2 EA	-	-	2 EA
	14	Tubular Latch Striking Plate	1 EA	1 EA	-	-	1 EA
15	Tubular Latch Dust Box	1 EA	1 EA	-	-	1 EA	
Others	-	Door Prep Template	1 EA	1 EA	-	-	1 EA
	-	Installation Instruction	1 EA	1 EA	1 EA	1 EA	1 EA

## RA/SE/GT/GS/SH Rose with Tubular Latch Installation Instructions:

For Passage/Privacy Function: L461/L462/L471/L472

1. Install tubular latch with (2) #8 Screws.

▲ **Note:** For privacy, privacy pin hub with thread must face inside of door (A-A)

2. Install outside lever with (2) M4 x 40mm bolt sleeves.

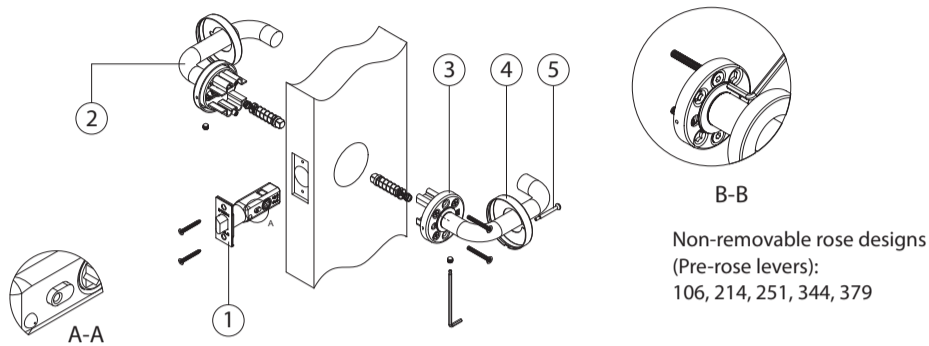
3. Install inside lever with (2) M4 x 35mm machine screws. Tighten set screw using Allen key.

**Note:** For non-removable rose designs, use M4 x 35mm hexagon with Allen key (B-B).

▲ **Note:** Ensure levers on both sides are horizontally level before tightening machine screws.

▲ Mount inside and outside rose cover (snap-on).

5. For privacy function, insert privacy pin into latch privacy pin hub (A-A).



For Dummy Function: DL / DR

1. For RA/SE, mount dummy spindle with (3) #6 wood screws. GT/GS does not need dummy spindle.

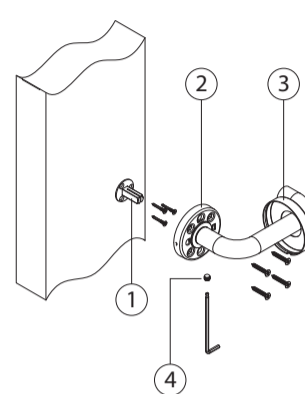
2. Install lever with (4) #8 wood screws.

▲ **Note:** Ensure lever is horizontally level before tightening wood screws.

3. Mount rose cover.

4. Tighten set screw using Allen key.

GT/GS does not need set screw.



For Half Passage Function: L465 / L475

1. Install tubular latch with (2) #8 Screws.

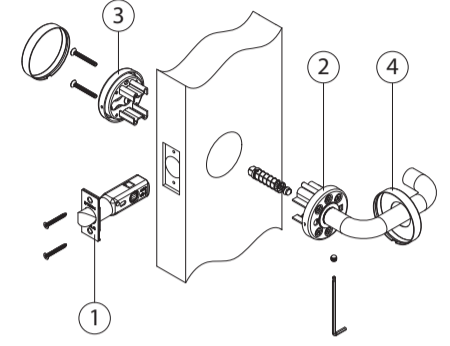
2. Install outside lever with (2) M4 x 40mm bolt sleeves.

3. Mount inside sub rose with (2) M4 x 35mm machine screws. Tighten set screw using Allen key.

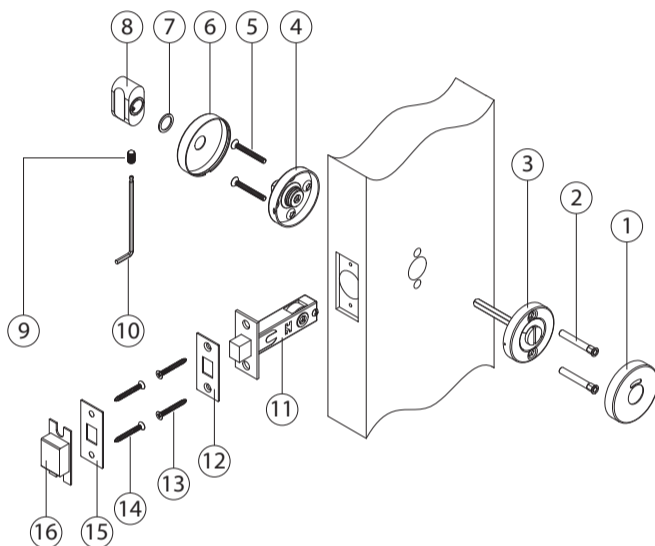
▲ **Note:** For non-removable rose designs, use M4 x 35mm hexagon with Allen key (B-B).

▲ **Note:** Ensure the lever is horizontally level before tightening machine screws.

4. Mount inside and outside rose cover.



### GT/GS Privacy Bolt

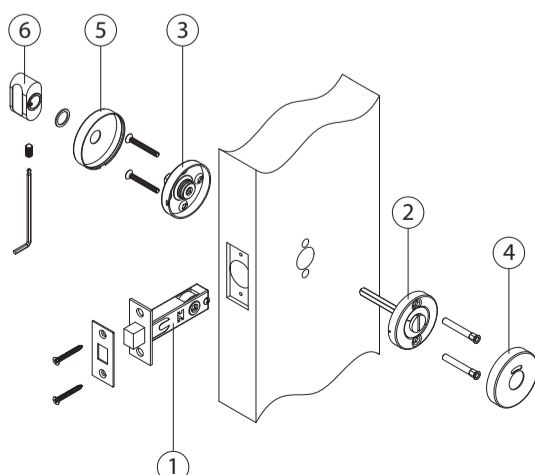


#### Parts List

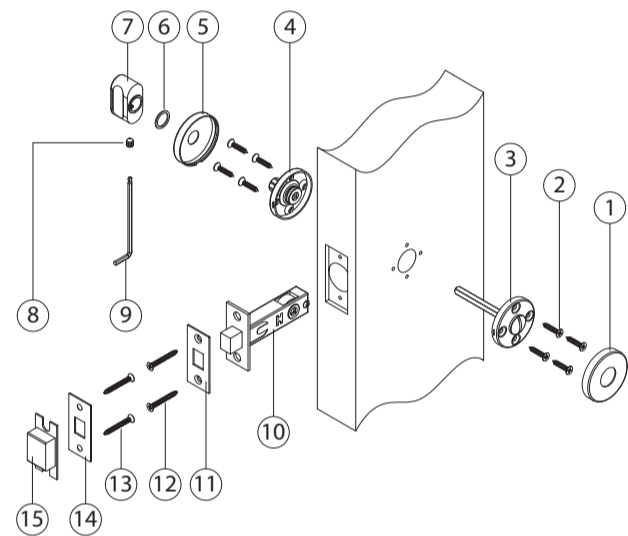
1. GT/GS Outside Cover with or without Indicator Window
2. 2x Bolt Sleeves
3. GT/GS Outside Privacy Release Rose
4. GT/GS Inside Less Cover
5. 2x M4 Machine Screws
6. GT/GS Privacy Escutcheon
7. Thumbturn Washer
8. GT/GS Thumbturn
9. Set Screw for Thumbturn
10. Allen Key
11. Tubular Privacy Bolt
12. Faceplate for Privacy Bolt
13. Screws for Face Plate (2x #8 Screws)
14. Screws for Striking Plate (2x #8 Screws)
15. Privacy Bolt Striking Plate
16. Privacy Bolt Dust Box

#### Installation Steps

1. Install tubular deadbolt latch with (2) #8 Screws.  
▲ **Note:** Please ensure the latch tongue is inside latch casing.
2. Mount privacy release rose with (2) bolt sleeves.
3. Mount privacy thumbturn rose with (2) M4 Machine Screws.
4. Mount privacy release rose cover.
5. Mount thumbturn rose cover and clear washer.
6. Mount thumbturn. Tighten set screw inside thumbturn using Allen key.



### GR/SR Privacy Bolt



#### Parts List

1. GR/SR Outside Cover
2. 8x #6 Wood Screws
3. GR/SR Outside Privacy Release Rose
4. GR/SR Inside Less Cover
5. GR/SR Privacy Escutcheon
6. Thumbturn Washer
7. GR/SR Thumbturn
8. Set Screw for Thumbturn
9. Allen Key
10. Tubular Privacy Bolt
11. Faceplate for Privacy Bolt
12. Screws for Face Plate
13. Screws for Striking Plate
14. Privacy Bolt Striking Plate
15. Privacy Bolt Dust Box

#### Installation Steps

1. Install tubular deadbolt latch with (2) #8 Screws.  
▲ **Note:** Ensure the latch tongue is inside latch casing.
2. Mount privacy release rose with (4) #6 screws.
3. Mount privacy thumbturn rose with (4) #6 screws.
4. Mount privacy release rose cover.
5. Mount thumbturn rose cover and clear washer.
6. Mount thumbturn. Tighten set screw inside thumbturn using Allen key.

