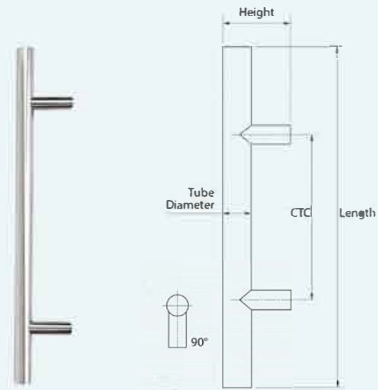


## BIG DEAL ON BIG LADDER PULLS!

T-SHAPE (LADDER) PULLS – 4' AND 5'



- In stock and available
- 90° projection from the door
- Tube diameter 1-1/4"
- 630/US32D Satin Stainless Steel finish
- List Price 4' or 5' CTC:
  - Single mount bolt-thru \$298
  - Back-to-back mount (BTB) \$498

CTC	Overall Length	Height	Item No.
48"	56"	3"	PHIX33348-32D
60"	68"	3"	PHIX33360-32D