

## Mortise Handle Set



New York (NY Mortise Series)



Manhattan (MH Mortise Series)



Metropolis (ME Mortise Series)



Broadway (BW Mortise Series)

**Application**

For residential entry, multi-family unit entry.

**Material**

Stainless Steel Levers and Escutcheons

**Finish**

· Satin Stainless Steel  
US32D/630



· Bright Polished Stainless Steel  
US32/629



· Two-tone Stainless Steel  
SP (Satin on Lever Grip;  
Polished on Lever Neck and Roses)

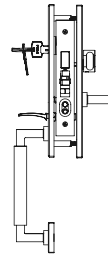


· Oil Rubbed Bronze on Stainless Steel  
10B/613

\*See page 3 for finish availability.

**Specification**

- Door Thickness: 1-3/4" (44mm) standard.  
Thick Door Kits available.
- Backset: MT620: 2-1/2" (63.5mm) Standard.  
MT720: 2-3/4" (70mm) Optional.
- Handing: Handing specification required.
- Lock case are field reversible without disassembly.
- Center Distance: Lever to Cylinder 3-5/8" (92mm)  
Lever to Thumb-turn 2-7/16" (62mm)
- Cylinder & Keys: 6-pin Schlage C Keyway Cylinder with 2 keys.  
Standard Cylinder Size for 1-3/4" Door:  
NY and MH Trim: 1-1/4" Mortise Cylinder  
ME and BW Trim: 1-1/8" Mortise Cylinder
- Keying service available.

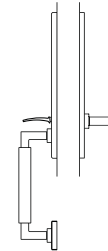
**Functions****Entrance (MT620/MT720)**

Key from outside lock and unlock deadbolt.  
Thumb-piece from outside retract latchbolt.  
Thumb-turn from inside locks and unlocks  
deadbolt. Lever from inside is always  
unlocked.

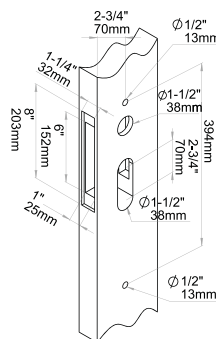
Inside lever is always unlocked allowing  
emergency egress.

Toggle always in locked position unless set  
to unlock manually.

Locking deadbolt by thumb-turn or key to  
reset toggle to locked position.

**Entry Dummy (MTEDP)**

NY/MH/ME/BW trim with dummy cylinder  
outside, dummy plate escutcheons inside.

**Door Preparation**

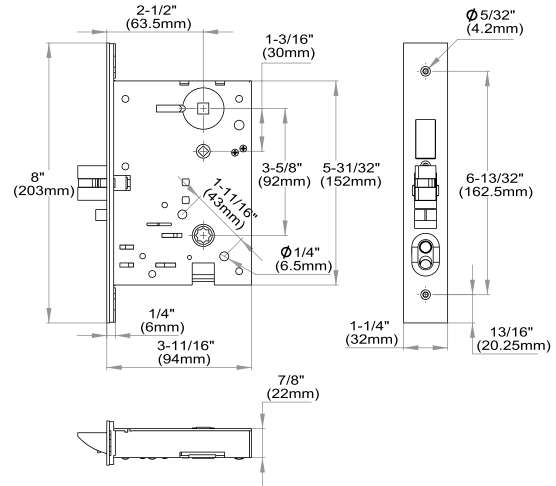
Please go to:

[www.inoxproducts.com/resources](http://www.inoxproducts.com/resources)  
for the latest door preparation  
templates and installation  
instructions.

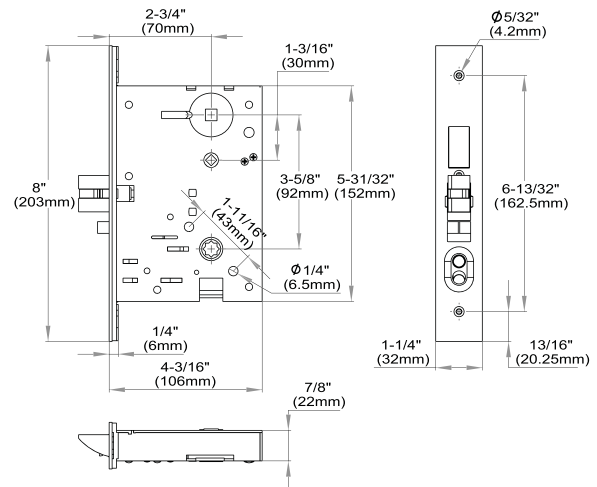
### MT Mortise Lockcase



#### Lockcase Dimensions



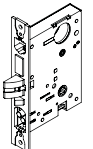
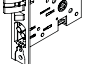
MT620 Mortise Lock Dimensions



MT720 Mortise Lock Dimensions




### MT Mortise Lockcase

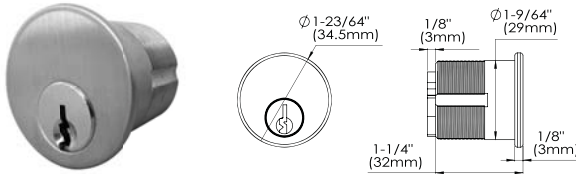
For all Mortise Handle Sets only  
w/faceplate, strike and dustbox (less cylinder)

Illustration	Backset	Function	Item Code
	2-1/2"	Entry w/ Toggle	MT620- 32D/32/10B
	2-3/4"	Entry w/ Toggle	MT720- 32D/32/10B

\* MT Lock built-in toggle buttons are set to be locked by default, which deactivates the outside thumb-piece. This allows door to be kept locked even without using key or thumb-turn to engage deadbolt. Toggle can be manually set to unlocked position, in which case the outside thumb-piece will engage the latch bolt and act as a passage latch until the toggle is reset to locked position, either manually or set automatically by using thumb-turn or key.

### MT Mortise Faceplate and Strike

Illustration	Function	Item Code
	MT Mortise Faceplate	MT-FSP20- 32D/32/10B
	MT Mortise Strike	LSR-MT01- 32D/32/10B
	MT Mortise Strike Dust Box	LSR-DBX-MT

**Mortise Cylinders and Keys**

Schlage C Keyway, 6 Pin, with Clover Cam, 2 Keys. Standard Keyed Differ (KD). Other Keying Service available.

Standard Cylinder Size for 1-3/4" Door:

NY and MH Trim: 1-1/4" Mortise Cylinder

ME and BW Trim: 1-1/8" Mortise Cylinder

Please refer to Price Book for details of Thick Door Kits (TDK)

Product Illustration	Description	Item No.
	1-1/8" Mortise cylinder with MT cam	CMB1186 CAM04-MT
	1-1/4" Mortise cylinder with MT cam	CMB1146 CAM04-MT
	1-3/8" Mortise cylinder with MT cam	CMB1386 CAM04-MT
	1-1/2" Mortise cylinder with MT cam	CMB1126 CAM04-MT
	1-5/8" Mortise cylinder with MT cam	CMB1586 CAM04-MT
	1-3/4" Mortise cylinder with MT cam	CMB1346 CAM04-MT
	Key blanks Schlage C Keyway 6 pin for Mortise Cylinder	LSK01-6SC-NP

**CAM**

MT Cam  
CAM04-MT

**Keying Services**

Description	Item No.
Service: Key Cut including Key Blank	SV-KYCT
Service: Keyed Alike (KA)	SV-KA
Service: Keyed to Specific Code	SV-KS
Service: Master Keying	SV-MK
Service: Grand Master Keying with 2 or more Master groups.	SV-GMK
Service: Construction Master Keying Service	SV-CMK