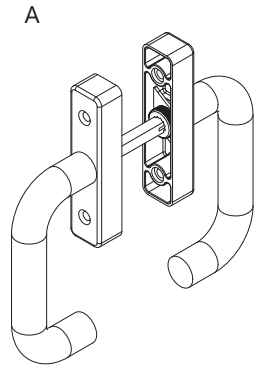


## PD3000 Components List



	Part Lists	Passage
A	PD3000 Trims	1EA
B	Mortise Lock	1EA
C	Strike Plate w/Dust Box	1EA

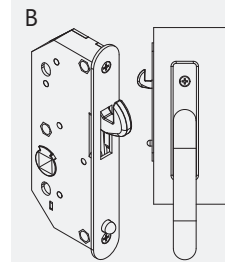


### New Door

-  2 - M5x16mm Nuts
-  2 - M5x35mm Machine Screw
-  4 - M5x12mm RIVNUT
-  4 - M5x30mm Machine Screw
-  4 - M5x32mm Wood Screw
-  1 - 3mm Allen Key

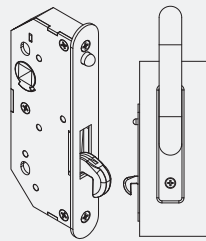
### Retrofit Door

-  2 - #10-32x1-1/2" Machine Screw
-  4 - #10-32x1-1/4" Machine Screw

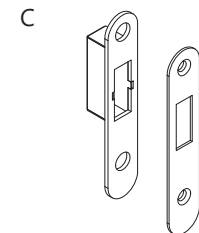



Latch Points Up,  
Lever Points Down

NOTE: Mortise lock can be installed with the actuator button in either the top or bottom position simply by turning the lock body when installing so that the hook direction is reversed. Ensure that the lever and strike are installed accordingly so that the door latches properly.



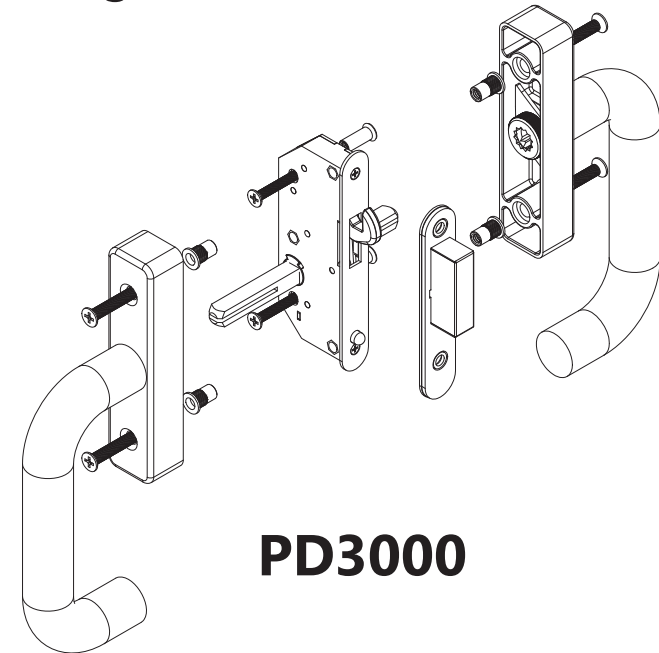
Latch Points Down,  
Lever Points Up



-  2 - M4x8mm Machine Screw
-  2 - M4x30mm Wood Screw

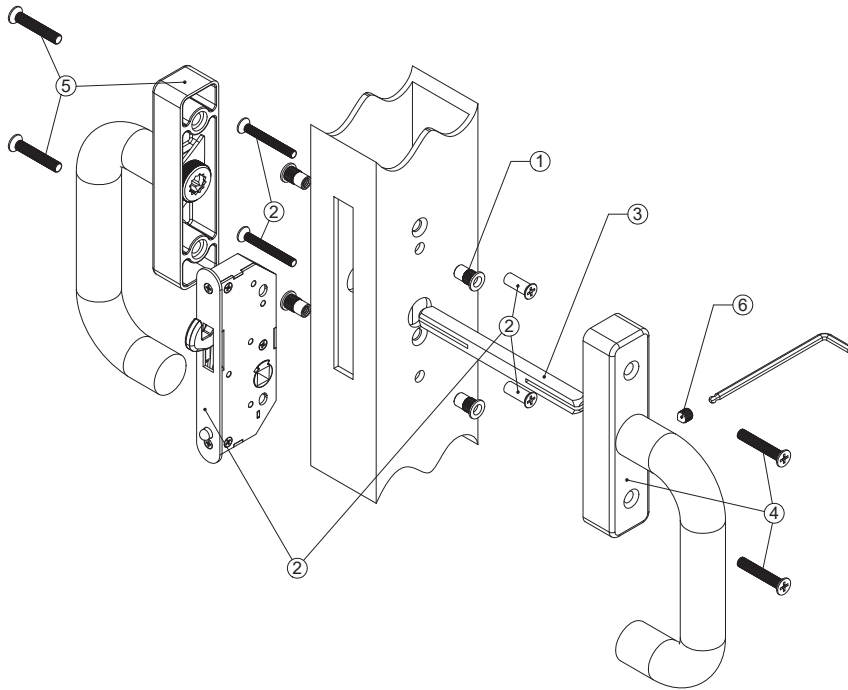
# Installation Instructions

## PD3000 Narrow Profile ICU Lock for Sliding Doors



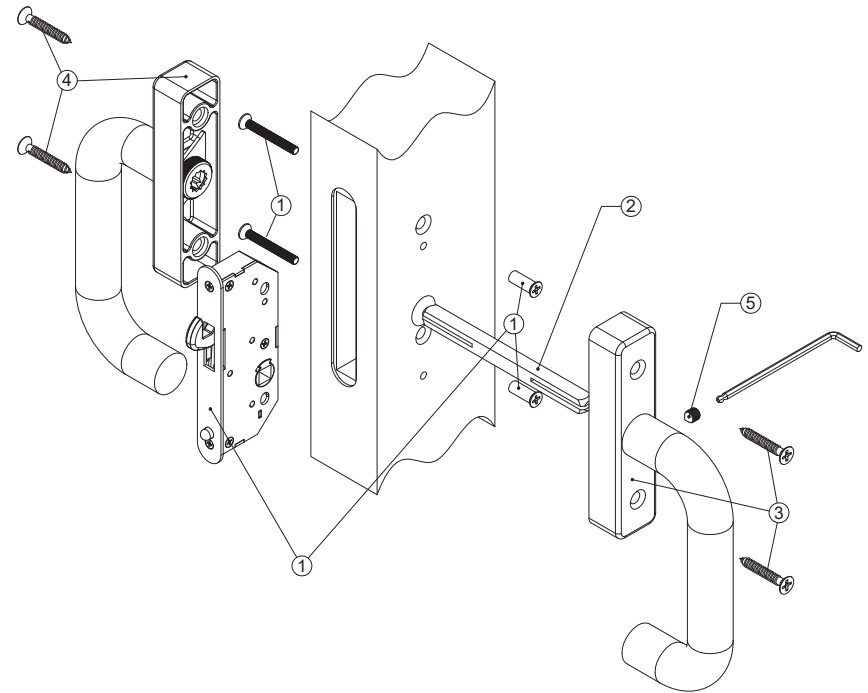
**PD3000**

## PD3000 Installation Instructions for Metal Door



1. Mount 4EA M5x12mm rivet nuts with automatic rivet nut gun to the metal door.
2. Install mortise lockcase in door prep with 2EA M5x16mm Nuts and 2EA M5x35mm Machine Screws.
3. Insert spindle into the mortise lock spindle hole. Make sure the slotting of the spindle is horizontal.
4. Install inside PD3000 trim with 2EA M5x30mm Machine Screws.
5. Install outside PD3000 trim with 2EA M5x30mm Machine Screws.
6. Tighten set screws for both inside and outside levers.

## PD3000 Installation Instructions for Wood Door



1. Install mortise lockcase in door prep with 2EA M5x16mm Nuts and 2EA M5x35mm Machine Screws.
2. Insert spindle into the mortise lock spindle hole. Make sure the slotting of the spindle is horizontal.
3. Install inside PD3000 trim with 2EA M5x32mm Wood Screws.
4. Install outside PD3000 trim with 2EA M5x32mm Wood Screws.
5. Tighten set screws for both inside and outside levers.