

The logo for 'inox' is displayed in a bold, lowercase, sans-serif font. The letters are black and set against a white background within a rounded rectangular border. A registered trademark symbol (®) is positioned to the upper right of the 'x'.

PD95 MORTISE LOCKSETS FOR  
SLIDING AND POCKET DOOR

With X Series Trim Or Surface Pull

# INSTALLATION INSTRUCTIONS

(PM-IS2400)

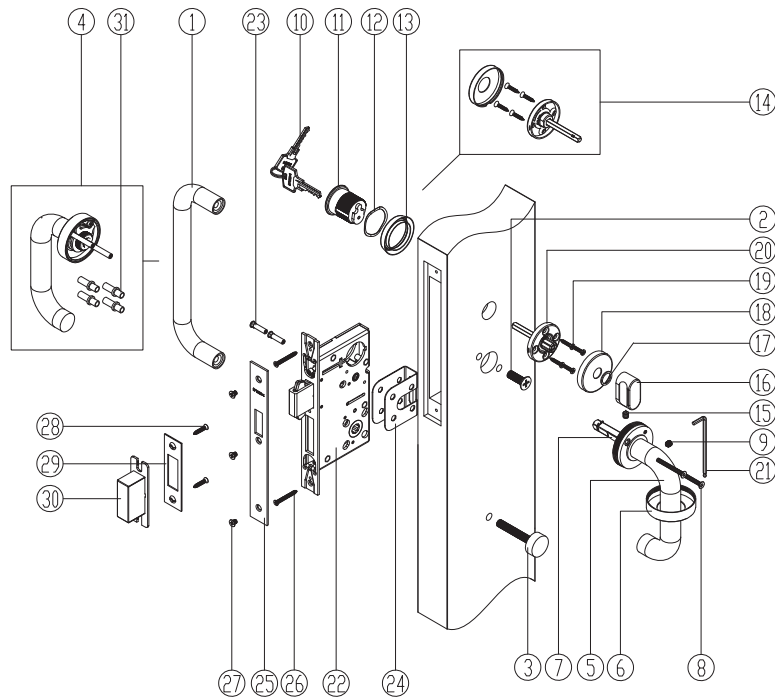
**Unison Hardware Inc.**

6 Wayne Court, Sacramento, CA 95829, USA

Tel: +1.916.388.1888 Fax: +1.916.388.8322

Email: [info@unisonhardware.com](mailto:info@unisonhardware.com) Web: [www.inoxproducts.com](http://www.inoxproducts.com)

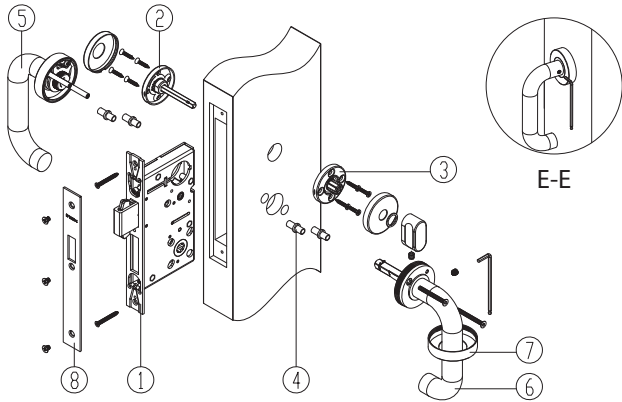
## 9000 Series Pocket Door Lock Parts List: (with X series trim or Surface Pull)



Item	No.	Parts List	Function				Note	
			Privacy	Entry	Patio	Classroom	Lever by Lever	Lever by Pull Handle
Lever set Parts	1	Outside surface pull	1 EA	1 EA	1 EA	1 EA	N/A	
	2	Screw for surface pull	1 EA	2 EA	1 EA	1 EA	N/A	
	3	Screw for surface pull	1 EA	4 EA	1 EA	1 EA	N/A	
	4	Outside X series trim	1 EA	1 EA	1 EA	1 EA		N/A
	5	Inside X series trim	1 EA	1 EA	1 EA	1 EA		
	6	X series inside rose cover	1 EA	1 EA	1 EA	1 EA		
	7	8x1-3/4" (45mm) spring spindle	1 EA	1 EA	1 EA	1 EA		
	8	M4x1-3/8" (35mm) machine screw	2 EA	2 EA	2 EA	2 EA		
	9	M6 set screw for X series trim	1 EA	1 EA	1 EA	1 EA		
	10	Key		3 EA		3 EA		
	11	Mortise Cylinder		1 EA		1 EA		
	12	Washer		1 EA		1 EA		
	13	Escutcheon ring		1 EA		1 EA		
	14	Thumb-turn rose cover, screw, sub rose	1 EA					
	15	M6 set screw for t-turn	1 EA	1 EA	1 EA			
	16	Thumb-turn rose with spindle	1 EA	1 EA	1 EA			
	17	Clear Washer	1 EA	1 EA	1 EA			
	18	Thumb-turn rose cover	1 EA	1 EA	1 EA			
	19	Screw for thumb-turn	4 EA	4 EA	4 EA			
	20	Thumb-turn sub rose	1 EA	1 EA	1 EA			
	21	3mm Allen Key	1 EA	1 EA	1 EA	1 EA		
Locks	22	Mortise Pocket Lock	1 EA	1 EA	1 EA	1 EA		
	23	M4x3/4" (20mm) Nuts	2 EA	2 EA	2 EA	2 EA	N/A	
	24	Screws nut fixing plate	1 EA	1 EA	1 EA	1 EA	N/A	
	25	Armored Faceplate	1 EA	1 EA	1 EA	1 EA		
	26	Screws for Inner Faceplate	2 EA	2 EA	2 EA	2 EA		
	27	Screws for Armored Faceplate	3 EA	3 EA	3 EA	3 EA		
	28	Screws for Strike Plate	2 EA	2 EA	2 EA	2 EA		
	29	Strike Plate	1 EA	1 EA	1 EA	1 EA		
	30	Dust Box	1 EA	1 EA	1 EA	1 EA		
	31	Compression Inserts	4 EA	4 EA	4 EA	4 EA	N/A	
Others		Door Prep Template	1 EA	1 EA	1 EA	1 EA		
		Installation Instruction	1 EA	1 EA	1 EA	1 EA		

## X series Trim with PD9000 Pocket Door Lock Installation Instruction:

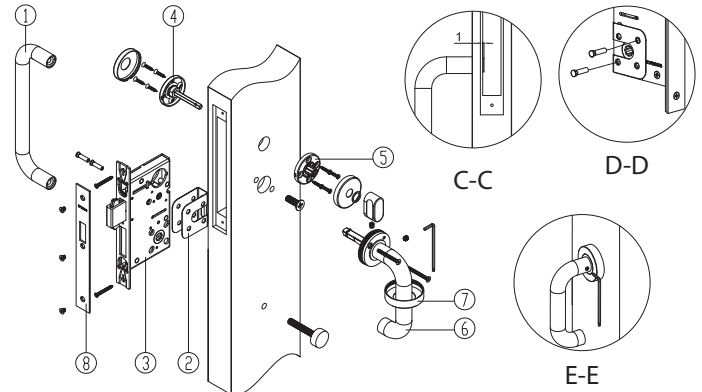
For Privacy w/Emergency Release Function: PD9540



1. Install mortise lockcase.
2. Install outside thumbturn and tighten screws
3. Install inside thumbturn sub rose and tighten screws
4. Install compression inserts to both sides
5. Install outside dummy lever
6. Install inside X series trim and tighten the screws
7. Mount the emergency release rose cover.  
Note: please fully tighten the set screw under the lever after it is installed. See Section E-E.
8. Install armored faceplate with screws.

## Surface Pull with PD9000 Pocket Door Lock Installation Instruction:

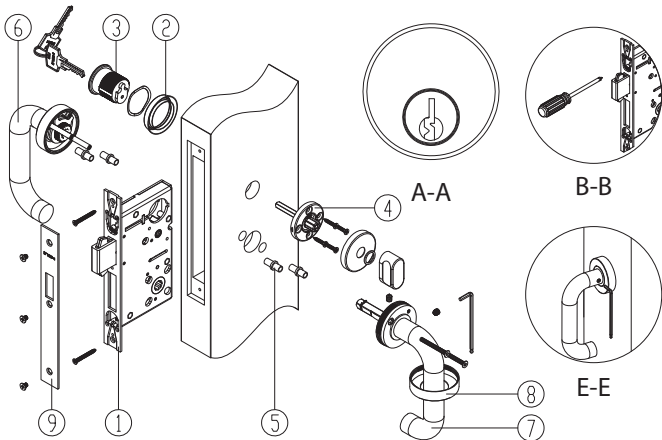
For Privacy w/Emergency Release Function: PD9540



1. Install outside surface pull  
Note: Tighten screws and make sure screw level is within 1mm.  
See Section C-C
2. Install mortise lock fixed sleeve  
Note: Choose the best screw hole and insert screw. See Section D-D.
3. Install mortise lockcase.
4. Install outside thumbturn and tighten screws
5. Install inside thumbturn sub rose and tighten screws
6. Install inside X series trim and tighten the screws
7. Mount the emergency release rose cover.  
Note: please fully tighten the set screw under the lever after it is installed.  
See Section E-E.
8. Install armored faceplate with screws.

## X series Trim with PD9000 Pocket Door Lock Installation Instruction:

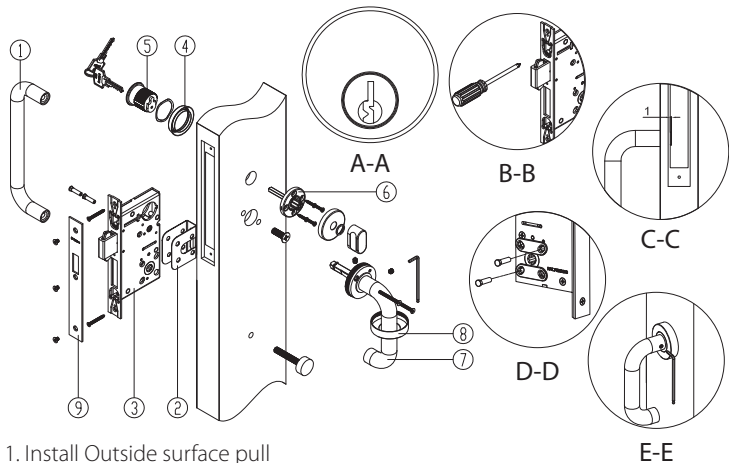
For Entry w/Single Cylinder Function: PD9550



1. Install mortise lockcase.  
Note: DO NOT tighten faceplate screws until after installing cylinder.
2. Screw on cylinder with escutcheon ring.  
Note: Key slot on cylinder should be on lower off-center position.  
See section A-A.
3. Use a screw driver to tighten yoke inside lock case through faceplate to fix the cylinder in position. See Section B-B.
4. Mount privacy thumbturn rose with 4x#6 screws. Mount rose cover and clear washer before mounting thumb-turn piece. Then tighten the set screw using Allen key.
5. Install compression inserts to both sides.
6. Install outside dummy X series trim
7. Install inside X series trim and tighten screws.
8. Install Rose cover  
Note: please fully tighten the set screw under the lever after it is installed.  
See Section E-E.
9. Install armored faceplate with screws.

## Surface Pull with PD90000 Pocket Door Lock Installation Instruction:

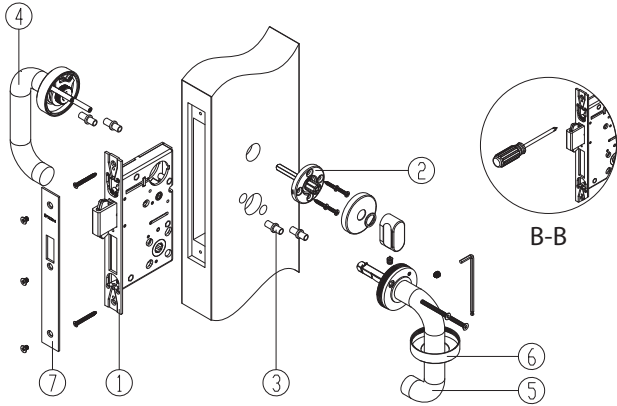
For Entry w/Single Cylinder Function: PD9550



1. Install Outside surface pull  
Note: Tighten screws and make sure screw level is within 1mm.  
See Section C-C
2. Install mortise lock fixed sleeve  
Note: Choose the best screw hole and insert screw. See Section D-D.
3. Install mortise lockcase.  
Note: DO NOT tighten faceplate screws until after installing cylinder.
4. Screw on cylinder with escutcheon ring.  
Note: Key slot on cylinder should be on lower off-center position.  
See section A-A.
5. Use a screw driver to tighten yoke inside lock case through faceplate to fix the cylinder in position. See Section B-B.
6. Mount privacy thumbturn rose with 4x#6 screws. Mount rose cover and clear washer before mounting thumb-turn piece. Then tighten the set screw using Allen key.
7. Install inside X series trim and tighten screws.
8. Install Rose cover  
Note: please fully tighten the set screw under the lever after it is installed.  
See Section E-E.
9. Install armored faceplate with screws.

## X series Trim with PD9000 Pocket Door Lock Installation Instruction:

Deadbolt operated by Thumbturn from inside only. Patio Function: PD9560



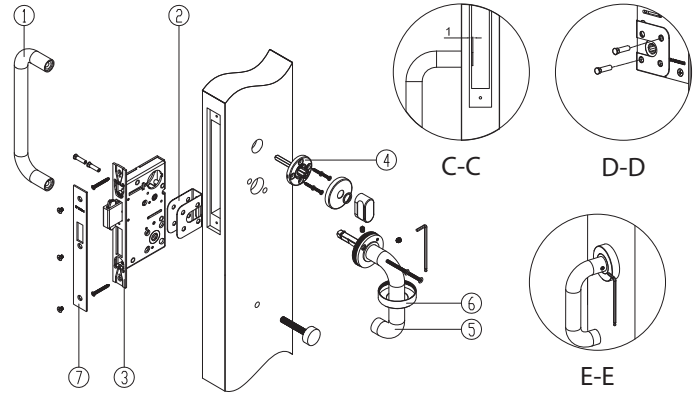
1. Install mortise lockcase.
2. Install inside Thumbturn and tighten screws
3. Install compression inserts to both sides.
4. Install outside dummy lever
5. Install inside X series trim and tighten the screws
6. Mount the rose cover.

Note: please fully tighten the set screw under the lever after it is installed.  
See Section E-E.

7. Install armored faceplate with screws.

## Surface Pull with PD9000 Pocket Door Lock Installation Instructions:

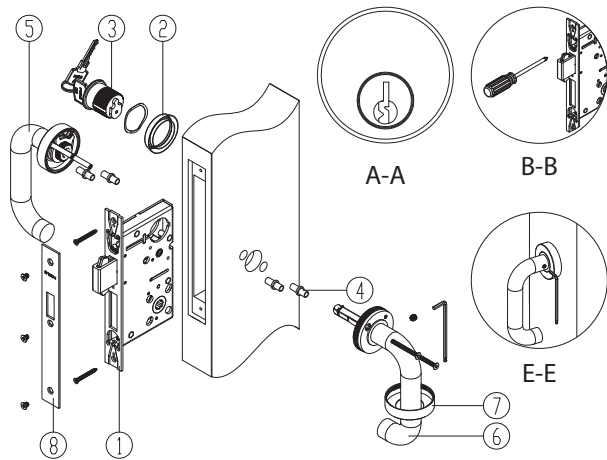
Deadbolt operated by Thumbturn from inside only. Patio Function: PD9560



1. Install Outside surface pull  
Note: Tighten screws and make sure screw level is within 1mm.  
See Section C-C.
2. Install mortise lock fixed sleeve  
Note: Choose the best screw hole and insert screw. See Section D-D.
3. Install mortise lockcase.
4. Install inside thumbturn sub rose and tighten screws
5. Install inside X series trim and tighten the screws
6. Mount the rose cover.  
Note: please fully tighten the set screw under the lever after it is installed.  
See Section E-E.
7. Install armored faceplate with screws.

## X series Trim with PD000 Pocket Door Lock Installation Instruction:

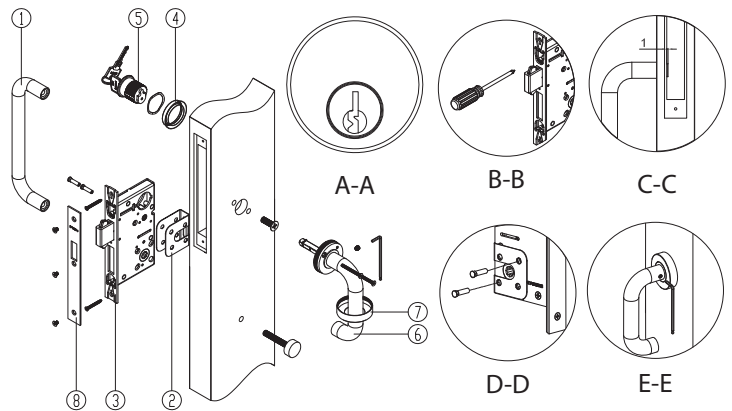
For Entry w/Single Cylinder Function: PD9570



1. Install mortise lockcase.  
Note: DO NOT tighten faceplate screws until after installing cylinder.
2. Screw on cylinder with escutcheon ring.  
Note: Key slot on cylinder should be on lower off-center position.  
See section A-A.
3. Use a screw driver to tighten yoke inside lock case through faceplate to fix the cylinder in position. See Section B-B.
4. Install compression inserts to both sides.
5. Install outside dummy X series trim
6. Install inside X series trim and tighten screws.
7. Install Rose cover  
Note: please fully tighten the set screw under the lever after it is installed.  
See Section E-E.
8. Install armored faceplate with screws.

## Surface Pull with PD9000 Pocket Door Lock Installation Instruction:

For Entry w/Single Cylinder Function: PD9570



1. Install Outside surface pull  
Note: Tighten screws and make sure screw level is within 1mm.  
See Section C-C
2. Install mortise lock fixed sleeve  
Note: Choose the best screw hole and insert screw. See Section D-D.
3. Install mortise lockcase.  
Note: DO NOT tighten faceplate screws until after installing cylinder.
4. Screw on cylinder with escutcheon ring and washer.
5. Use a screw driver to tighten yoke inside lock case through faceplate to fix the cylinder in position. See Section B-B.  
Note: Key slot on cylinder should be on lower off-center position.  
See Section A-A.
6. Install inside X series trim.
7. Mount the rose cover.  
Note: Please fully tighten the set screw under the lever after it is installed.  
See Section E-E.
8. Install armored faceplate with screws.