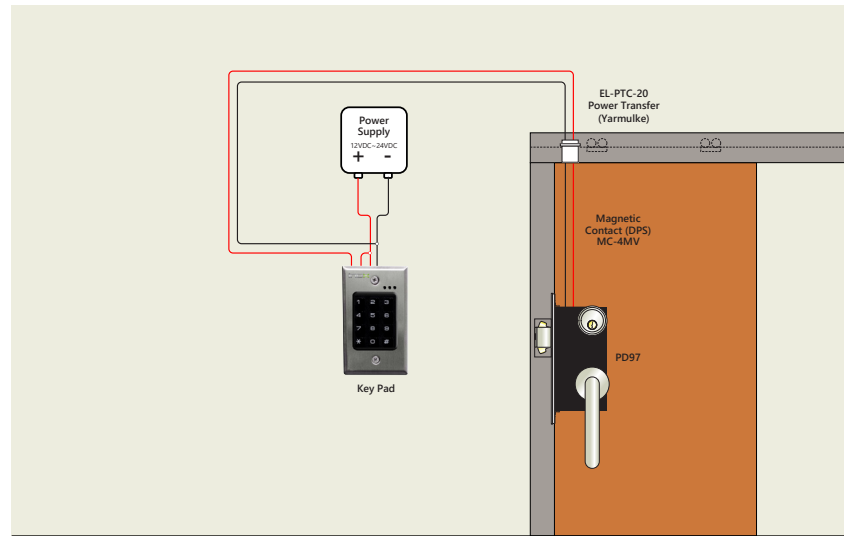
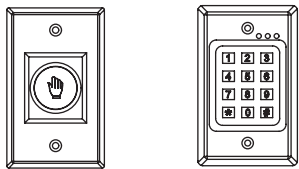


PD97 Wiring Diagram



For UL294 compliance the product is to be installed in the protected premises area.

Optional Accessories:



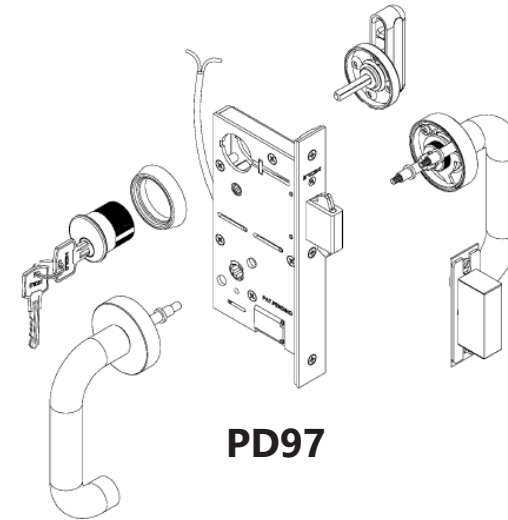
Handwave

Keypad

Accessories are shown for reference only and not evaluated for UL294 or UL1034.

Installation Instructions

PD97 Electrified Mortise Lockset for Sliding Door with X Series Trim / Surface Pulls



PD97

This product has been tested and certified for UL1034 and UL294.

It is intended to be installed in accordance with the installation wiring diagram, mechanical assembly drawings provided with each product, the local authority having jurisdiction (AHJ) and the National Electric Code, NFPA 70. When installed in fail secure mode, the local authority shall be consulted with regard to the use of possible panic hardware to allow emergency exit from the secure area.







For UL294 compliance, the product is to be installed in the protected premises area. Only the lockbody was evaluated to UL1034, accessories are shown for reference only.

UL1034 Static and Dynamic Rating	
Static Strength	500 lbs
Dynamic Strength	70 ft lbs
Endurance	250K cycle of operations

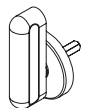



UL 294 Performance Rating	
Level I	- Line Security
Level IV	- Endurance
Level I	- Standby Power
Level I	- Attack

PD97 Components List

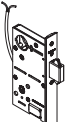


	Part Lists	Privacy	Entry	Patio/Exit	Classroom
A	X Series Trim / Surface Pull	1 EA	1 EA	1 EA	1 EA
B	Cylinder & Keys	-	1 EA	-	1 EA
C	Thumbturn	1 EA	1 EA	1 EA	-
D	Coin Turn	1 EA	-	-	-
E	Mortise Lock & Faceplate	1 EA	1 EA	1 EA	1 EA
F	Strike Plate with Dust Box	1 EA	1 EA	1 EA	1 EA
G	Power Transfer	1 EA	1 EA	1 EA	1 EA


- A**
- 
-  5 - Compression Inserts
 -  2 - M4x1-3/8" (35mm) Machine Screw
 -  2 - Safety Lock Washer
 -  2 - M4.2x19mm Self Tapping Screw
 -  1 - 3mm Allen Key

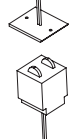

- B**
- 
-  1 - Wave Washer

- C**
- 
-  4 - M4x19mm Self Tapping Screw
 -  4 - M4x19mm Wood Screw
 -  1 - 3mm Allen Key

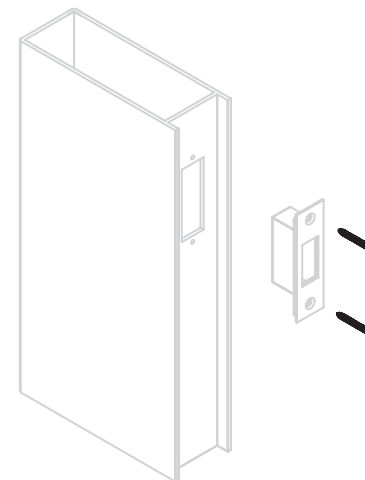
- D**
- 
-  8 - M4x19mm Self Tapping Screws
 -  8 - M4x19mm Wood Screws
 -  1 - 3mm Allen Key

- E**
- 
-  2 - M4x30mm Combo Screw
 -  3 - M4x6mm Machine Screw

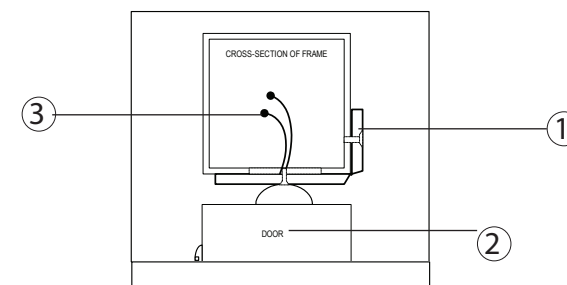
- F**
- 
-  2 - M4x30mm Machine Wood Screw

- G**
- 
-  2 - M2.5x12mm Machine Wood Screw

Installation Instructions for PD97 Strike:



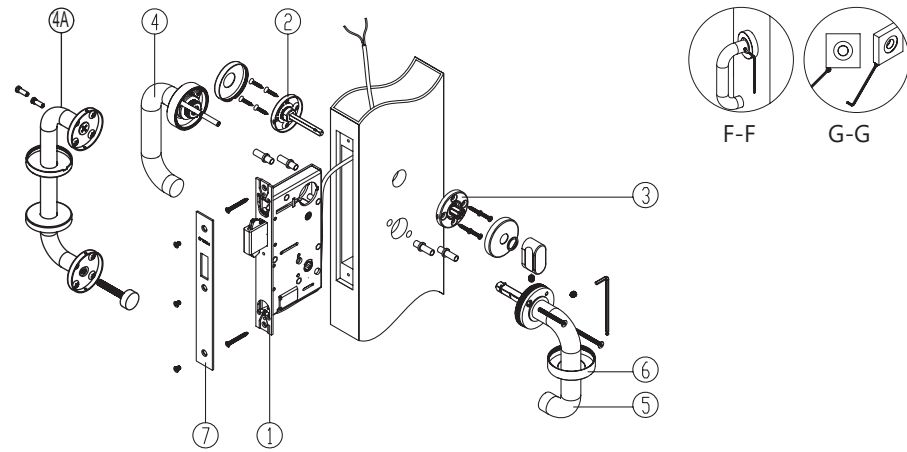
1. Insert dustbox into the door jam and tighten screws



Power Transfer

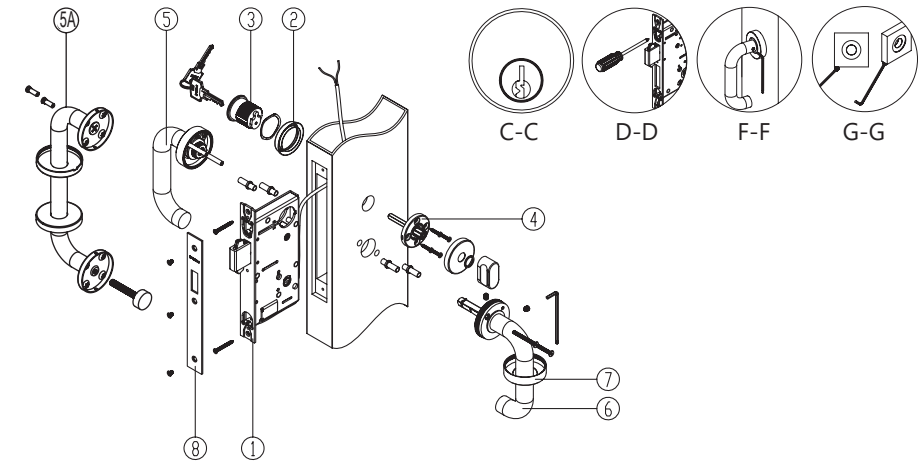
1. INOX provides a power transfer unit **EL-PTC-20** that connects the contact plate on the door frame to the contact block at the top of the door. Install contact plate with screws to the door frame.
2. Door will require special preparation on the interior that allows electrical wiring from the mortise lock to the top of the spring-loaded contact block.
3. Run the black and red wire leads from the contact plate through the hole of the frame, and connect leads to the compatible low voltage power source with stranded copper wire. Secure contact plate with screws.
4. Adjust the contact block screws so that the spring-loaded contacts rest against the contact plate

Installation Instructions for Privacy Function: PD9740 with X Series Trim or Surface Pulls



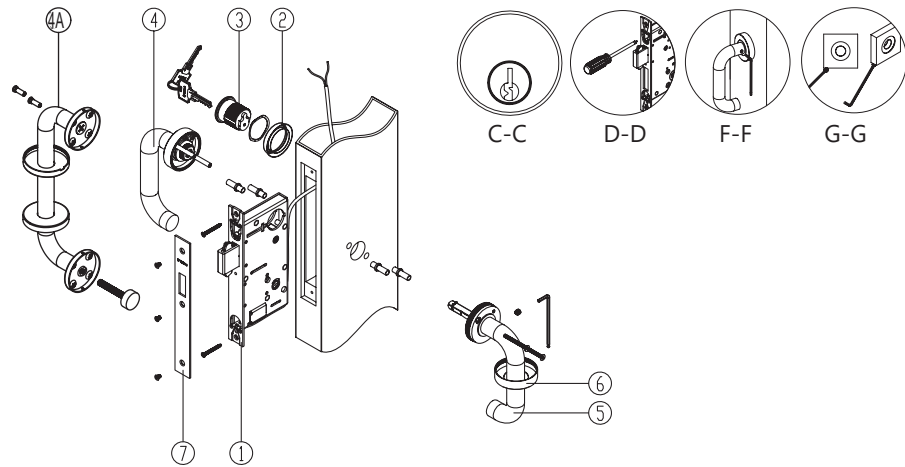
1. Insert the lock wire through the lock slot and pull it out to connect with the electronic control system. Install mortise lockcase in door prep. **NOTE:** DO NOT tighten faceplate screws until the cylinder has been installed.
2. Install outside thumbturn release with screws.
3. Mount inside privacy thumbturn rose with M4x6mm screws. Mount rose cover and clear washer before mounting thumbturn piece. Use Allen Key to tighten set screws.
4. Install outside X series trim, do not tighten the set screws.
- 4A. *Alternative Option: Install outside surface pull without spindle and do not tighten the set screws.*
5. Install inside X series trim, do not tighten the set screws.
6. Install the inside rose cover. XGT is threaded, XGS requires a set screw. **NOTE:** After the lever is installed, fully tighten the set screws on both the inside and outside trims. See Section F-F. **NOTE:** XGS square roses needs to be aligned prior to tightening the set screw on bottom of rose cover. See Section G-G.
7. Install armored faceplate with M4x6mm screws.

Installation Instructions for Entry Function: PD9750 with X Series Trim or Surface Pulls



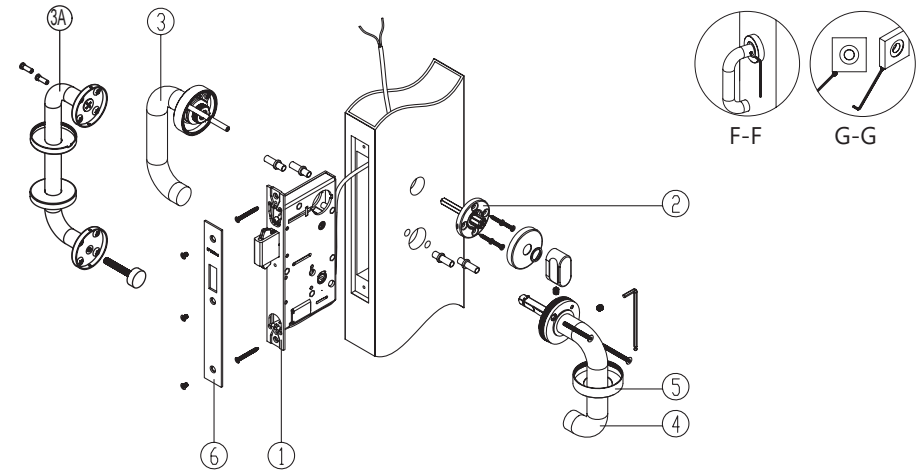
1. Insert the lock wire through the lock slot and pull it out to connect with the electronic control system. Install mortise lockcase in door prep. **NOTE:** DO NOT tighten faceplate screws until the cylinder has been installed.
2. Screw on outside cylinder escutcheon ring with spacer.
3. Install mortise cylinder. **NOTE:** Key slot on cylinder should be on lower center position. See section C-C. Using a screwdriver, tighten the M4.2x19mm screws on the lockcase to position the cylinder into place. See Section D-D.
4. Mount inside privacy thumbturn rose with M4x6mm screws. Mount rose cover and clear washer before mounting thumbturn piece. Use Allen Key to tighten set screws.
5. Install outside X series trim, do not tighten the set screws.
- 5A. *Alternative Option: Install outside surface pull without spindle and do not tighten the set screws.*
6. Install inside X series trim and tighten the M4x1-3/8" screws.
7. Install the inside rose cover. XGT is threaded, XGS requires a set screw. **NOTE:** After the lever is installed, fully tighten the set screws on both the inside and outside trims. See Section F-F. **NOTE:** XGS square roses needs to be aligned prior to tightening the set screw on bottom of rose cover. See Section G-G.
8. Install armored faceplate with M4x6mm screws.

Installation Instructions for Classroom Function: PD9770 with X Series Trim or Surface Pulls



1. Insert the lock wire through the lock slot and pull it out to connect with the electronic control system. Install mortise lockcase in door prep. **NOTE:** DO NOT tighten faceplate screws until the cylinder has been installed.
2. Screw on outside cylinder escutcheon ring with spacer.
3. Install mortise cylinder. **NOTE:** Key slot on cylinder should be on lower center position. See section C-C. Using a screwdriver, tighten the M4.2x19mm screws on the lockcase to position the cylinder into place. See Section D-D.
4. Install outside X series trim, do not tighten the set screws
- 4A. *Alternative Option: Install outside surface pull without spindle and do not tighten the set screws.*
5. Install inside X series trim, do not tighten the set screws.
6. Install the inside rose cover. XGT is threaded, XGS requires a set screw. **NOTE:** After the lever is installed, fully tighten the set screws on both the inside and outside trims. See Section F-F. **NOTE:** XGS square roses needs to be aligned prior to tightening the set screw on bottom of rose cover. See Section G-G.
7. Install armored faceplate with M4x6mm screws.

Installation Instructions for Patio/Exit Function: PD9760 with X Series Trim or Surface Pulls



1. Insert the lock wire through the lock slot and pull it out to connect with the electronic control system. Install mortise lockcase in door prep. **NOTE:** DO NOT tighten faceplate screws until the cylinder has been installed.
2. Mount inside privacy thumbturn rose with M4x6mm screws. Use Allen Key to tighten set screws.
3. Install outside X series trim, do not tighten the set screws
- 3A. *Alternative Option: Install outside surface pull without spindle and do not tighten the set screws.*
4. Install inside X series trim, do not tighten the set screws.
5. Install the inside rose cover. XGT is threaded, XGS requires a set screw. **NOTE:** After the lever is installed, fully tighten the set screws on both the inside and outside trims. See Section F-F. **NOTE:** XGS square roses needs to be aligned prior to tightening the set screw on bottom of rose cover. See Section G-G.
6. Install armored faceplate with M4x6mm screws.