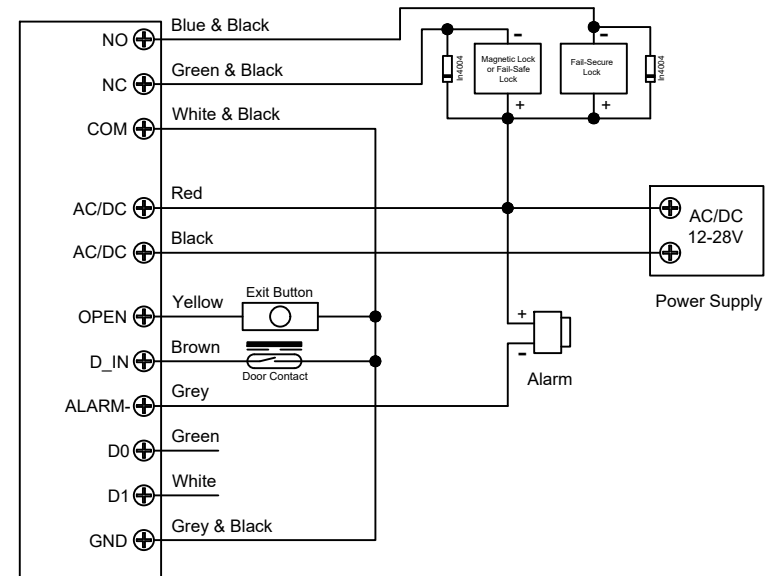
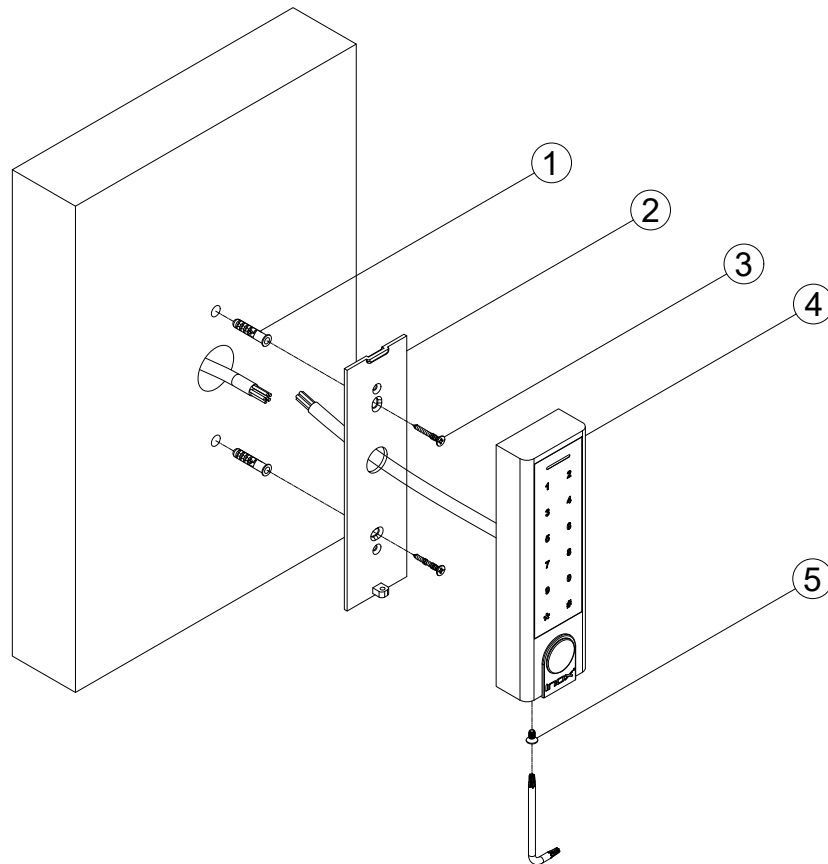


Installation Instructions for INOX Smart Keypad



Installation Instructions:

1. Install the expansion screws
2. Mount the sub plate
3. Install the wood screws
4. Mount the keypad
5. Install tamper-resistant screws