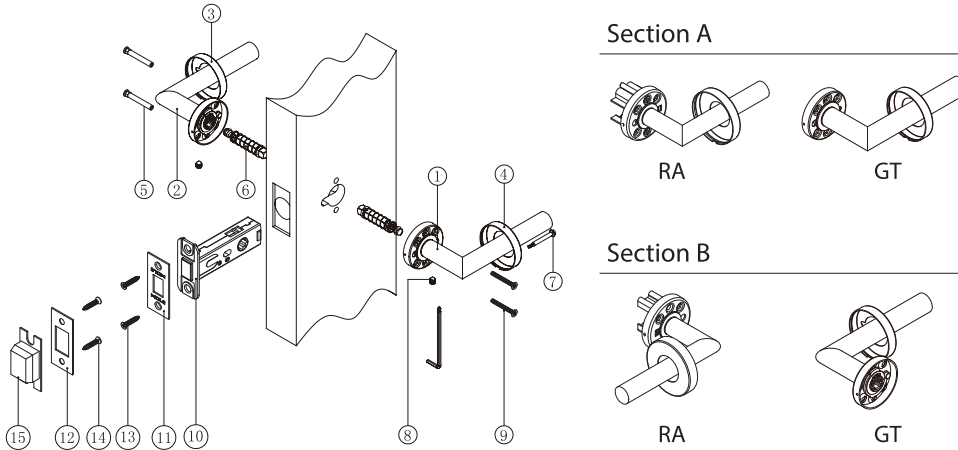


RA/SE/GT/GS with Magnetic Tubular Latch Parts List:

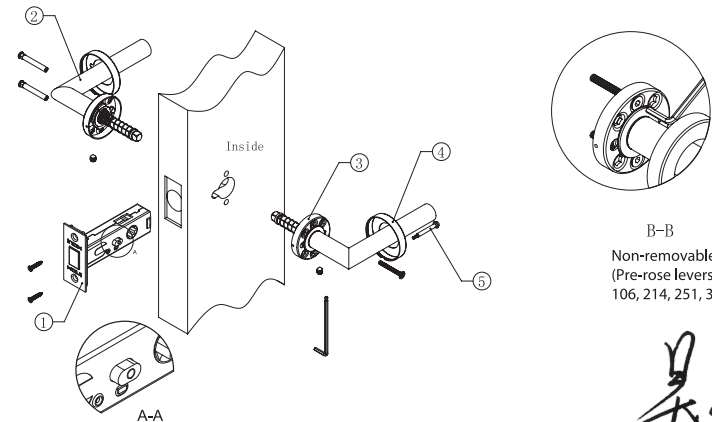


Items	No.	Parts Description	Function		
			Privacy	Passage	Half Passage
Leverset Parts	1	Rose Inside w/Lever (Section A)	1 EA	1 EA	1 EA
	2	Rose Outside w/Lever (Section B)	1 EA	1 EA	-
	3	Outside Rose Cover	1 EA	1 EA	-
	4	Inside Rose Cover	1 EA	1 EA	1 EA
	5	M4x40mm Bolt Sleeves	2 EA	2 EA	2 EA
	6	8 x 8 x 45mm Spring Spindle	2 EA	2 EA	1 EA
	7	Privacy Pin	1 EA	-	-
	8	Set Screw	2 EA	2 EA	1 EA
	9	M4 x 1-3/8" (35mm) Machine Screw	2 EA	2 EA	2 EA
Locks	10	Magnetic Tubular Latch	1 EA	1 EA	1 EA
	11	Magnetic Tubular Latch Faceplate	1 EA	1 EA	1 EA
	12	Magnetic Tubular Latch Striking Plate	1 EA	1 EA	1 EA
	13	#8 Screws for Magnetic Tubular Latch Faceplate	2 EA	2 EA	2 EA
	14	#8 Screws for Magnetic Tubular Latch Striking Plate	2 EA	2 EA	2 EA
Others	-	Magnetic Tubular Latch Dust Box	1 EA	1 EA	1 EA
	-	Door Prep Template	1 EA	1 EA	1 EA
	-	Installation Instructions	1 EA	1 EA	1 EA

RA/SE/GT/GS Rose with Magnetic Tubular Latch Installation Instructions:

For Passage/Privacy Function: L761/L762/L771/L772

1. Install Magnetic Tubular Latch with 2x #8 Screws.
Note: For Privacy function, the privacy pin hub with thread should face the inside of door - see Section A.
2. Install outside lever with 2 EA M4x40mm bolt sleeves.
3. Install inside lever with 2 EA M4x35mm machine screws;
Then tighten the set screw using Allen key.
Note: For non-removable rose designs, use M4x35mm hexagon with Allen key, see Section B.
▲ Note: Please ensure levers on both sides are at horizontal level before tightening machine screws.
4. Mount inside and outside rose cover (snap-on)
5. For privacy function, insert privacy pin into latch privacy pin hub (Section A).

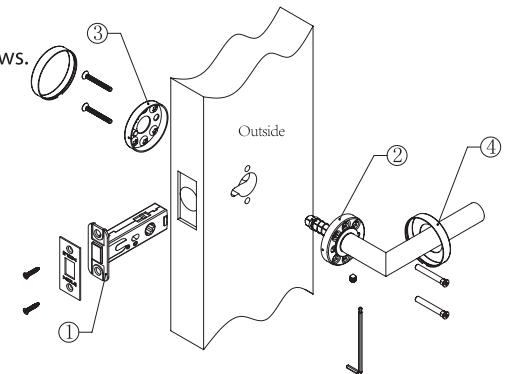


B-B
Non-removable rose designs
(Pre-rose levers):
106, 214, 251, 344, 379

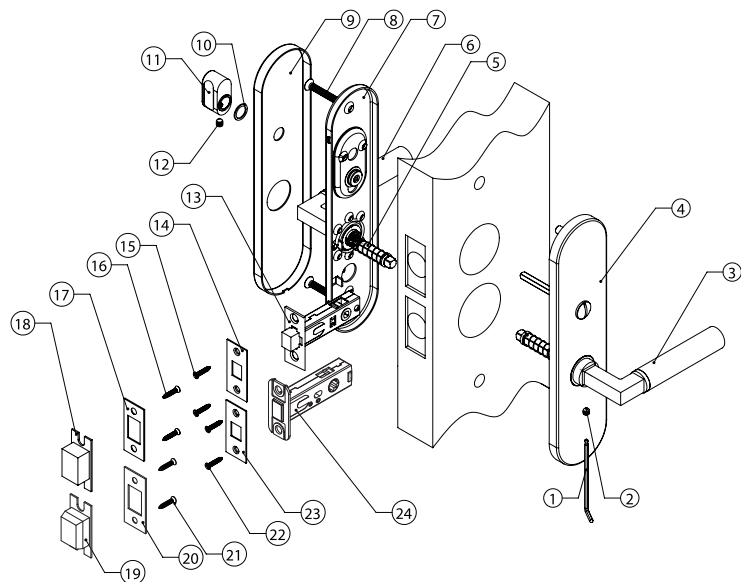
吳傑成
3/19/2021

For Half Passage Function: L765/L775

1. Install Magnetic Tubular Latch with 2x #8 Screws.
2. Install outside lever with 2 EA M4x40mm bolt sleeves.
3. Mount inside sub rose with 2 EA M4x35mm machine screws.
Then tighten the set screw using Allen key.
▲ Note: For non-removable rose designs, use M4x35mm hexagon with Allen key, see Section B.
Note: Please ensure the lever is at horizontal level before tightening machine screws.
4. Mount inside and outside rose cover.



LA/SF Plate with Magnetic Tubular Latch Parts List:

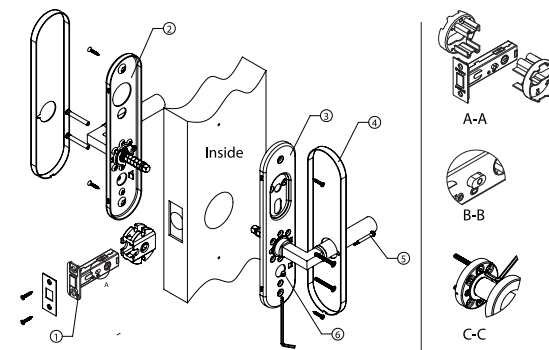


Items	No.	Parts Description	Function		
			Passage	Privacy	Privacy w/ Privacy Bolt
Lever set Parts	1	3mm Allen Key	1 EA	1 EA	1 EA
	2	M6 Set Screw for Lever	2 EA	2 EA	2 EA
	3	LA/SF Outside Lever	1 EA	1 EA	1 EA
	4	LA/SF Outside Sub Plate & Cover Plate	1 EA	1 EA	1 EA
	5	8x8x45mm Spring Spindle	2 EA	2 EA	2 EA
	6	LA/SF Inside Lever	1 EA	1 EA	1 EA
	7	LA/SF Inside Sub Plate	1 EA	1 EA	1 EA
	8	M6 x 45mm Thru-bolt	-	-	2 EA
	9	LA/SF Inside Cover Plate	1 EA	1 EA	1 EA
	10	Thumb-turn Washer	-	-	1 EA
	11	TT04 Thumb-turn	-	-	1 EA
	12	M6 Set Screw for T-turn	-	-	1 EA
Locks and Cylinders	13	Privacy Bolt	-	-	1 EA
	14	Privacy Bolt Faceplate	-	-	1 EA
	15	#8 Screws for Privacy Bolt Faceplate	-	-	2 EA
	16	#8 Screws for Privacy Bolt Striking Plate	-	-	2 EA
	17	Privacy Bolt Striking Plate	-	-	1 EA
	18	Privacy Bolt Dust Box	-	-	1 EA
	19	Magnetic Tubular Latch Dust Box	1 EA	1 EA	1 EA
	20	Magnetic Tubular Latch Striking Plate	1 EA	1 EA	1 EA
	21	#8 Screws for Magnetic Tubular Latch Striking Plate	2 EA	2 EA	2 EA
	22	#8 Screws for Magnetic Tubular Latch Faceplate	2 EA	2 EA	2 EA
	23	Magnetic Tubular Latch Faceplate	1 EA	1 EA	1 EA
	24	Magnetic Tubular Latch	1 EA	1 EA	1 EA
Others	-	M4 x 40mm Bolt Sleeves	2 EA	2 EA	-
	-	M4 x 35mm Thru-bolt	2 EA	2 EA	-
	-	M6 x 30mm Bolt Sleeves	-	-	2 EA
	-	#10 Wood Screws	4 EA	4 EA	-
	-	Privacy Pin	-	1 EA	-

LA/SF Plate with Magnetic Tubular Latch Installation Instructions:

For Passage/ Privacy Function: L761/L762/L771/L772

1. Install Magnetic Tubular Latch with 2x #8 Screws. For TL7 Latch Installation, see Section A-A.
 - ⚠ Note: For Privacy function, the privacy pin hub with thread should face the inside of door - see Section A.
2. Install outside lever and sub-plate with 2 EA M4 x 40mm bolt sleeves.
3. Install inside lever and sub-plate with 2 EA M4 x 35mm Thru-bolts. Fix sub-plates with 4 x #10 wood screws.
 - ⚠ Please ensure levers on both sides are at horizontal level and plates are vertical before tightening wood screws.
 - ⚠ For non-removable plate designs, use M4x35mm hexagon with Allen key. See Section C-C.
4. Mount inside and outside cover plate (snap-on).
5. For privacy function, insert privacy pin into latch privacy pin hub. See Section B-B.
6. Tighten the lever set screw after completing installation.
 - ⚠ Lever set screws may need to be loosened prior to installation if spindle or lever is not moving freely with spring action.



For Privacy with Privacy Bolt Function: L766/L776

1. Install Magnetic Tubular Latch with 2x #8 Screws. For TL7 Latch Installation, see Section A-A.
2. Install privacy bolt with 2x #8 Screws.
 - ⚠ Please ensure the privacy bolt is retracted inside the casing.
3. Mount outside lever with escutcheon plate; insert the 5x5mm t-turn and release spindle through the privacy bolt hub.
4. Install inside lever and sub-plate with 2 EA M6 x 45mm Thru-bolts.
 - ⚠ Please ensure levers on both sides are at horizontal level and plates are vertical before tightening thru-bolts.
 - ⚠ For non-removable plate designs, use M4x35mm hexagon with Allen key. See Section B-B.
5. Mount inside cover plate and thumb-turn clear washer before mounting thumb-turn piece. Then tighten the set screw inside thumb-turn piece using Allen key.
6. Tighten the lever set screw after completing installation.
 - ⚠ Lever set screws may need to be loosened prior to installation if spindle or lever is not moving freely with spring action.

