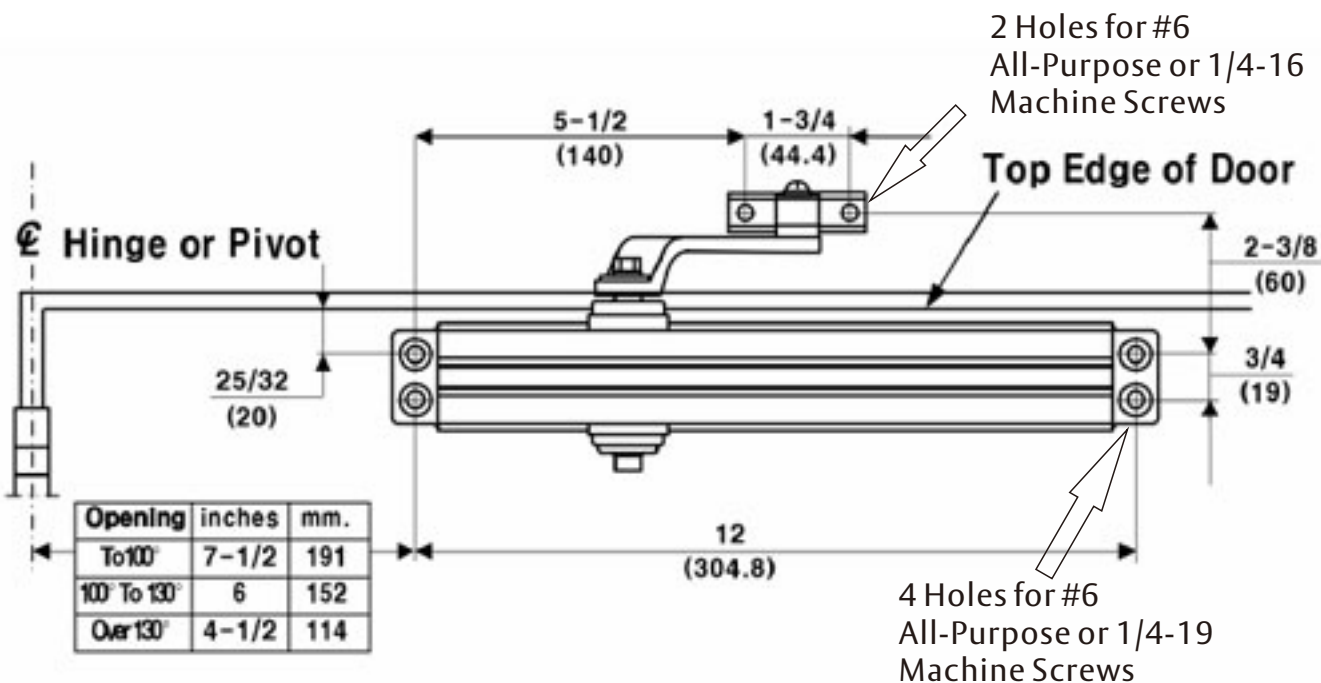


# TEMPLATE FOR DC85 SERIES DOOR CLOSER REGULAR ARM INSTALLATION



- RIGHT HAND DOOR SHOWN .
- SAME DIMENSIONS APPLY FOR LEFT HAND DOOR MEASURED FROM CENTERLINE OF PIVOT POINT.
- DIMENSIONS ARE IN INCHES (mm.)

