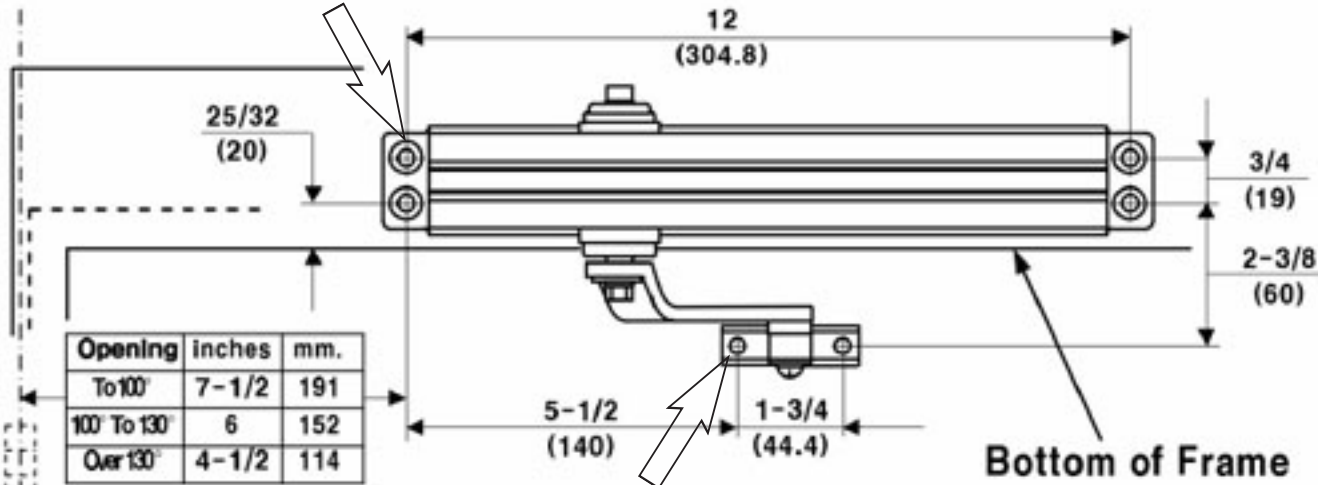


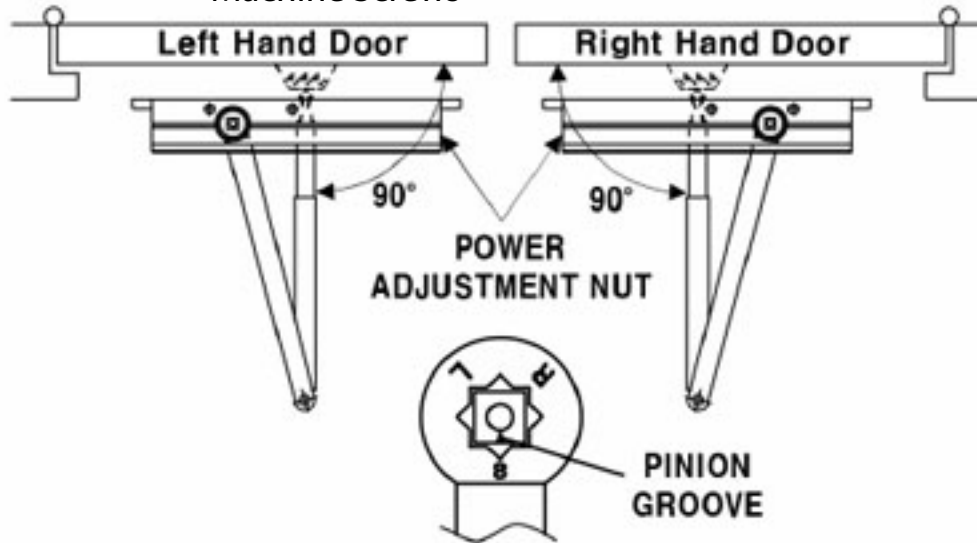
TEMPLATE FOR DC85 SERIES DOOR CLOSER TOP JAMB INSTALLATION

4 Holes for #6
All-Purpose or 1/4-19
Machine Screws



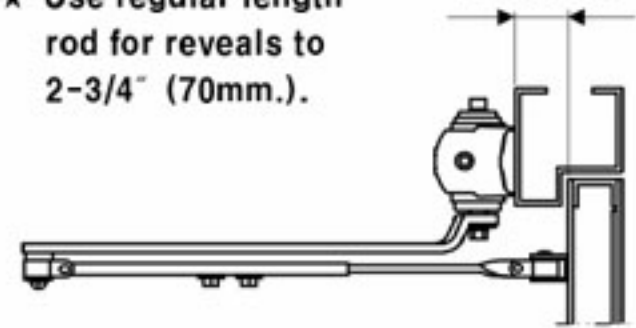
2 Holes for #6
All-Purpose or 1/4-16
Machine Screws

Ⓢ Hinge or Pivot



★ Use regular length rod for reveals to 2-3/4" (70mm.).

★ Reveal



- RIGHT HAND DOOR SHOWN .
- SAME DIMENSIONS APPLY FOR LEFT HAND DOOR MEASURED FROM CENTERLINE OF PIVOT POINT.
- DIMENSIONS ARE IN INCHES (mm.)