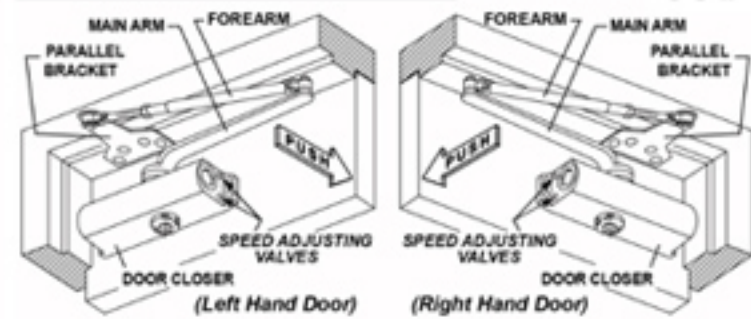
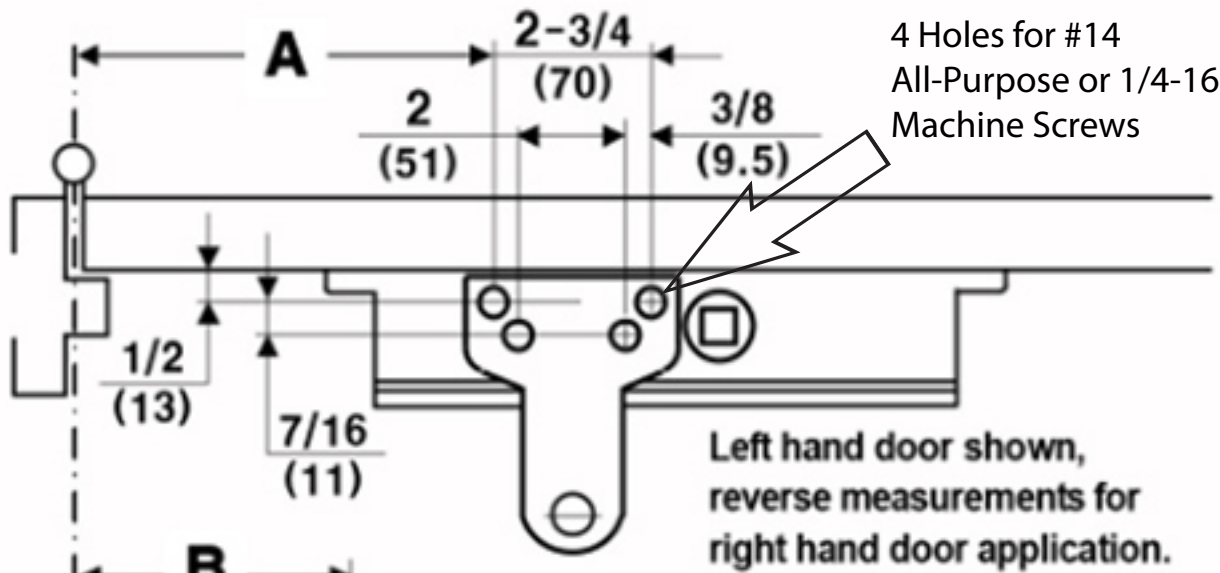
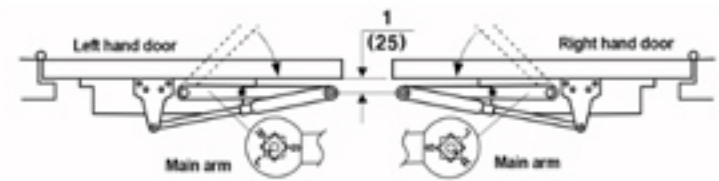
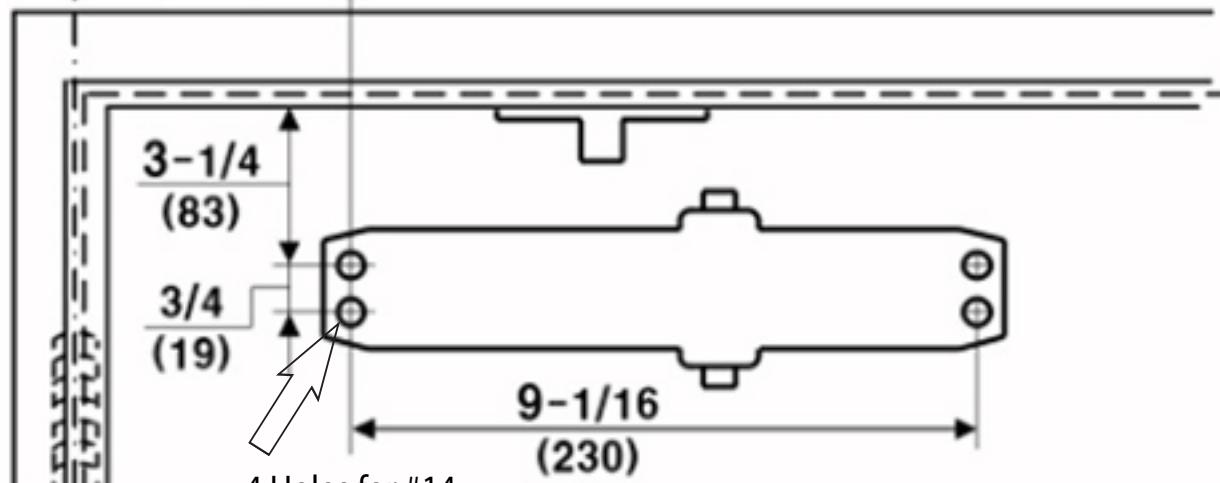


# TEMPLATE FOR DC61 SERIES DOOR CLOSER PARALLEL ARM INSTALLATION



Door Opening	Dim. A	Dim. B
To 100°	9-1/4 (235)	7-5/8 (194)
101° to 130°	7-3/4 (197)	6-1/8 (156)
131° to 180°	5-3/4 (146)	4-1/8 (105)



Inches (mm)