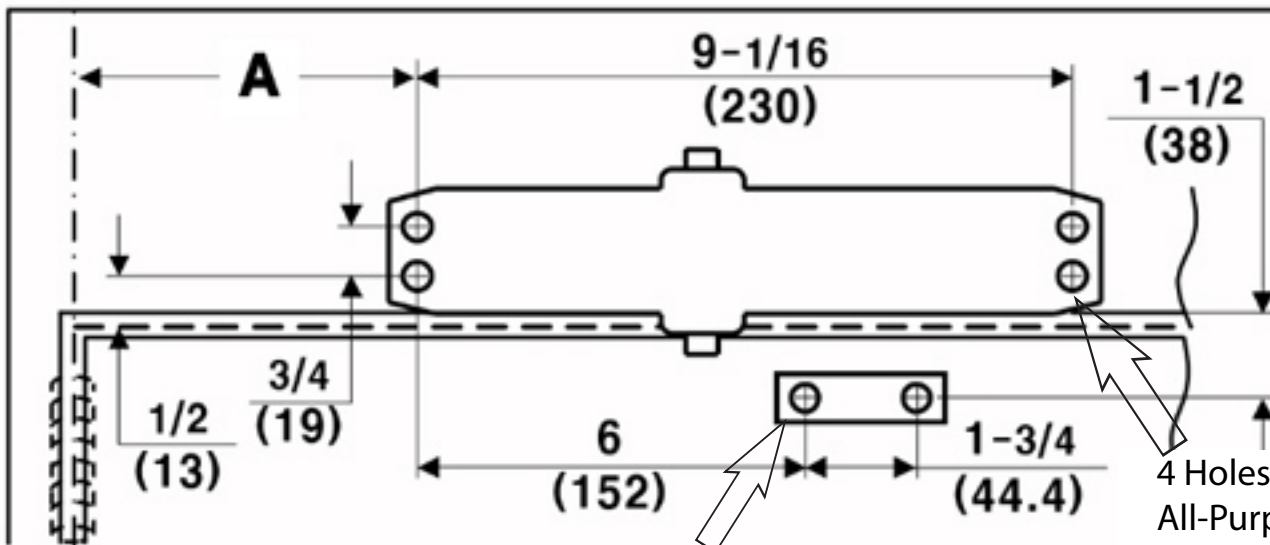


TEMPLATE FOR DC61 SERIES DOOR CLOSER TOP JAMB INSTALLATION

Hinge or Pivot

Left hand door shown,
reverse measurements for
right hand door application.

Door Opening	Inches (mm)	
	Dim. A	
to 100°	7-1/2	(191)
101° to 120°	6	(152)
121° to 180°	3-1/2	(89)



2 Holes for #14
All-Purpose or 1/4-16
Machine Screws

4 Holes for #14
All-Purpose or
1/4-19
Machine Screws

