

**BP/MU Multipoint Trim**



BP Plate



MU Plate

**Application**

For swing door Multipoint locking system.

**Material**

Stainless Steel Levers and Escutcheons

**Finish**



- Satin Stainless Steel  
US32D/630
- Bright Polished Stainless Steel  
US32/629
- Two-tone Stainless Steel  
SP (Satin on Lever Grip; Polished on Lever Neck and Roses)
- Oil Rubbed Bronze on Stainless Steel  
10B/613

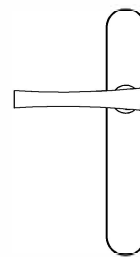
\*See page 3 for finish availability.

**Specification**

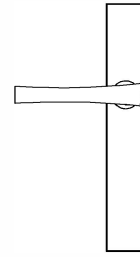
- Door Thickness: 1-3/4" with lockcase in the center of the door. Thick Door Kits available on requests.
- Cylinder to Lever Center Distance: 3-5/8" (92mm)
- Spindle: 8x8mm Square.
- Faceplate and strike plate with square corners. Radius corners available on request.
- Schlage C Keyway 5-pin Cylinder, 2 keys included. Keying service available.
- Weather seal gasket for outside trim.

**Escutcheon Plates**

- BP Plates Size:  
10-1/2" x 1-5/8" x 7/16" (268 x 42 x 11mm)
- MU Plates Size:  
10-1/2" x 1-5/8" x 7/16" (268 x 42 x 11mm)



BP Plate

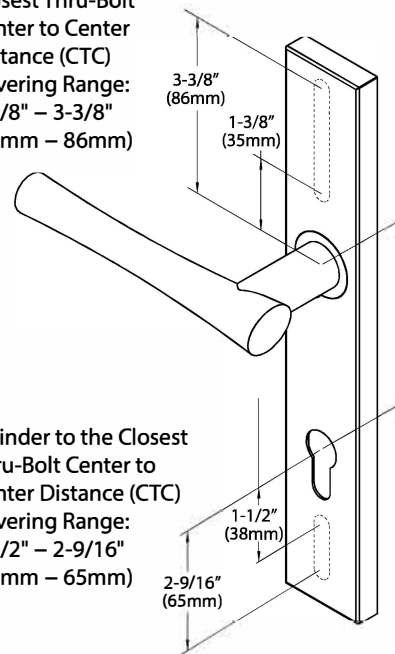


MU Plate

**Door Configurations**

The new INOX® Multipoint Trim (patent pending) is designed to be a universal trim which fits the majority of multipoint locking systems for swing doors in the marketplace. INOX® Multipoint Trim has adjustable thru-bolt distance covering almost every door prep configuration as long as the Lever to Cylinder has a 3-5/8" (92mm) center distance.

Lever to the Closest Thru-Bolt Center to Center Distance (CTC)  
Covering Range:  
1-3/8" – 3-3/8"  
(35mm – 86mm)



Lever to Cylinder Center to Center Distance (CTC):  
3-5/8" (92mm)

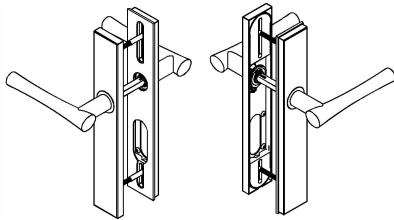
Cylinder to the Closest Thru-Bolt Center to Center Distance (CTC)  
Covering Range:  
1-1/2" – 2-9/16"  
(38mm – 65mm)

## BP/MU Multipoint Trim

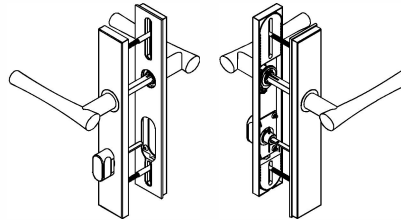
### Features:

- Bi-direction spring provides lever support.
- Multiple fixing distance for thru-bolts on the same plate to fit majority of manufacturer's door prep with concealed fixing.
- Schlage C Keyway for both American or Euro Profile Cylinder.
- Weather seal gasket for outside trim.

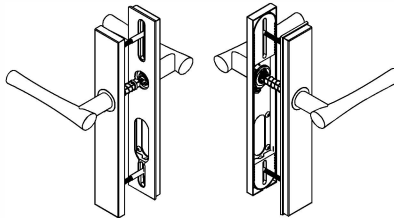
### Functions:



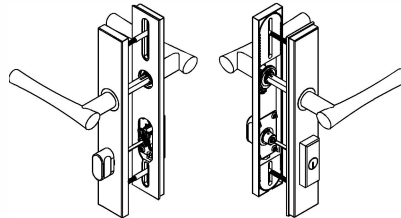
**MA10:**  
Passage Function  
Both outside and  
inside levers are  
active. No deadlock.



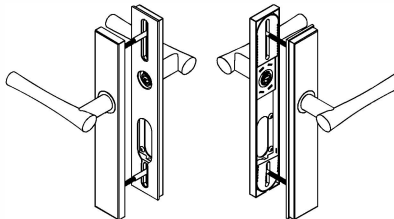
**MA15:**  
Patio Function for Locks  
using Tailpiece Hub  
Both outside and  
inside levers are active. Inside  
thumb-turn locks deadbolt  
using tailpiece.



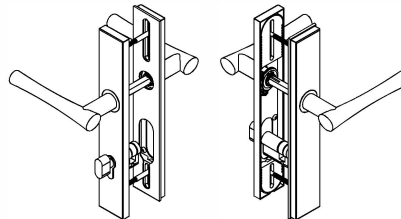
**MA20:**  
Half Passage,  
Half Dummy.  
Outside lever is  
inactive.  
Inside lever is active.



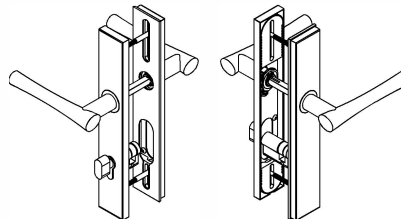
**MA55:**  
Entry Function for Locks  
using American Cylinder.  
Both outside and  
inside levers are active. Key from  
outside and thumb-turn on  
inside locks the deadbolt,  
using American cylinder  
with tailpiece.



**MADP:**  
Full Dummy  
Both outside and  
inside levers are  
inactive.



**MA25:**  
Patio Function for Locks  
using Euro-profile Cylinder  
Both outside and  
inside levers are active. Inside  
thumb-turn locks deadbolt  
using Euro cylinders with  
cam.



**MA35:**  
Entry Function for Locks  
using Euro-profile Cylinder  
Both outside and  
inside levers are active. Key from  
outside and thumb-turn on  
inside locks the deadbolt,  
using Euro cylinders with  
cam.

Will INOX® Standard BP/MU Plates Fit the following Locks and Door Prep?

Configuration	Door/Lock Manufacturer	Lever to Cylinder CTC	Lever to Thru-Bolt CTC	Cylinder to Thru-Bolt CTC	Emtek® Door Config.	Baldwin® Door Set Ref.	Standard INOX® Multipoint Trim Fit
Lever High, American Cylinder Below Lever	G-U®, Marvin Integrity®, Sierra Pacific Windows®, Superior®	3-5/8" (92mm)	2-9/16" (65mm)	1-3/8" (35mm)	DC #1	# 5	YES
Lever High, American Cylinder Below Lever	Pella®	3-5/8" (92mm)	2-7/8" (73mm)	1-7/8" (48mm)	DC #6	# 3	YES
Lever Low, American Cylinder Above Lever	G-U®, Pella®, Eagle®, Marvin Integrity®, Biltbest®, Hurd®, Sierra Pacific®, Willmar®	3-5/8" (92mm)	2-9/16" (65mm)	1-3/8" (35mm)	DC #2	# 5	YES
Lever Low, American Cylinder Above Lever	Ashland®, Marvin®, Milgard®, Caradco®, PGT®	3-5/8" (92mm)	1-13/16" (46mm)	1-13/16" (46mm)	DC #4	# 6	YES
Lever High, Euro Cylinder Below Lever	G-U®, Hoppe®, Hurd®, Eagle®, Kolbe & Kolbe®, Loewen®, Lincolen®, Norco®, Peachtree®, Pozzi®, Sierra Pacific®, Semco®, Vetter®, Weathershield®, Therma-Tru®	3-5/8" (92mm)	3-3/8" (86mm)	1-1/2" (38mm)	DC #5	# 1	YES
Lever High, Euro Cylinder Below Lever	G-U®, Hoppe®, Hurd®, Eagle®, Kolbe & Kolbe®, Loewen®, Lincolen®, Norco®, Peachtree®, Pozzi®, Sierra Pacific®, Semco®, Vetter®, Weathershield®	3-5/8" (92mm)	2-7/16" (62mm)	1-13/16" (46mm)	N/A	#4	YES
INOX® multipoint trim will NOT fit the following door configuration:							
Lever Low, American Cylinder Above Lever	Anderson®	4-1/8" (105mm)	2-1/16" (52mm)	2-5/16" (59mm)	DC #3	# 2	NO
Lever Low, American Cylinder Above Lever	W & F Manufacturing®	6" (152mm)			DC # 7	N/A	NO

Disclaimer: INOX® is not liable for any change of specifications by door and lock manufacturers.

Parts and Services

**Euro Cylinders**

Also called Profile Cylinders



Double Cylinder  
Key & Thumb-turn



Single Cylinder  
(Also called Half Cylinder)  
Thumb-turn Only

**Material**

Solid Brass

**Keyway**

Schlage C Keyway, 5 Pin.  
3 Keys per Cylinder.

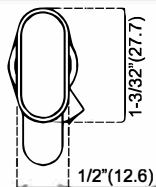
**Finishes**

- Satin Nickel (US15)
- Polished Chrome (US26)
- Oil Rubbed Bronze (US10B)

**Cylinder Screw**

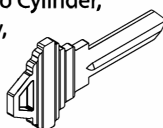
Each cylinder includes 1 breakable machine screw M5x80mm for fixing cylinder to multipoint lock case with backset up to 2-3/4" (70mm).

**Cylinder Thumb-turn**



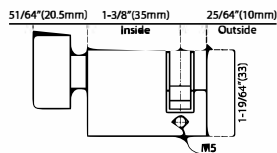
**Key Blanks**

Key Blanks for Euro Cylinder,  
Schlage C Keyway,  
for 5 Pin Cylinder  
LSK03-55C-NP

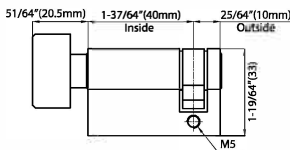


**Euro-Profile Cylinders for Patio and Entry Function**

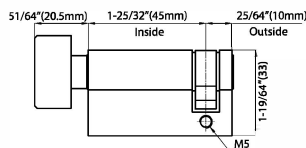
Total Length: 45mm (10/35)  
Door Thickness: 1-3/4" (45mm)  
CYEU-1035TK



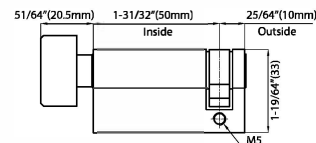
Total Length: 50mm (10/40)  
Door Thickness: 2" (51mm)  
CYEU-1040TK



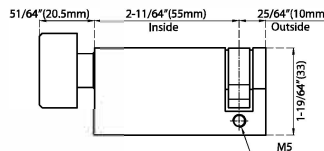
Total Length: 55mm (10/45)  
Door Thickness: 2-1/4" - 2-1/2"  
(57-63mm)  
CYEU-1045TK



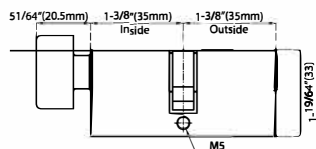
Total Length: 60mm (10/50)  
Door Thickness: 2-3/4" - 3"  
(70 - 76mm)  
CYEU-1050TK



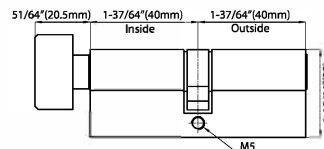
Total Length: 65mm (10/55)  
CYEU-1055TK



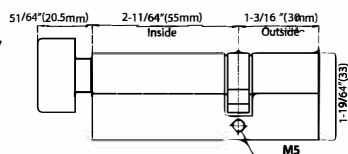
Total Length: 70mm (35/35)  
Door Thickness: 1-3/4" (45mm)  
Lock Case Centered  
CYEU-3535TK



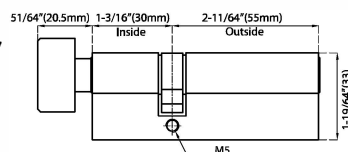
Total Length: 80mm (40/40)  
Door Thickness: 2" (51mm)  
Lock Case Centered  
CYEU-4040TK



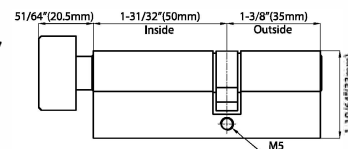
Total Length: 85mm (30/55)  
Door Thickness: 2-1/4" - 2-1/2"  
(57 - 63mm)  
Lock Case Off-Center  
CYEU-3055TK



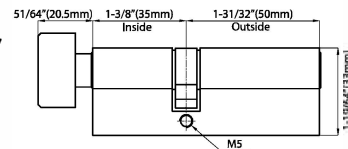
Total Length: 85mm (55/30)  
Door Thickness: 2-1/4" - 2-1/2"  
(57 - 63mm)  
Lock Case Off-Center  
CYEU-5530TK



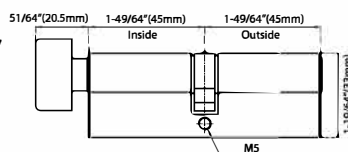
Total Length: 85mm (35/50)  
Door Thickness: 2-1/4" - 2-1/2"  
(57 - 63mm)  
Lock Case Off-Center  
CYEU-3550TK



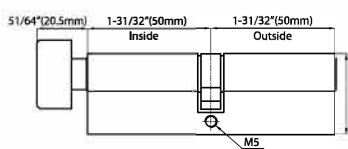
Total Length: 85mm (50/35)  
Door Thickness: 2-1/4" - 2-1/2"  
(57 - 63mm)  
Lock Case Off-Center  
CYEU-5035TK



Total Length: 90mm (45/45)  
Door Thickness: 2-1/4" - 2-1/2"  
(57 - 63mm)  
Lock Case Centered  
CYEU-4545TK



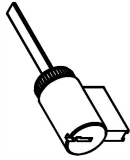
Total Length: 100mm (50/50)  
Door Thickness: 2-3/4" - 3"  
(70 - 76mm)  
Lock Case Centered  
CYEU-5050TK



**Parts and Services**

**American Cylinder**

Also called Knob Cylinder



American Cylinder with  
40mm Tailpiece  
Door Thickness: 1-3/4"  
CYSC00-40



American Cylinder with  
70mm Breakable Tailpiece  
Door Thickness: 2"-3"  
CYSC00-70

**Material**

Solid Brass

**Keyway**

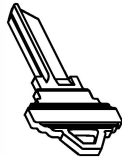
Schlage C Keyway, 6 Pin, with 2 Keys, Keyed Different\*.  
(\*5-Pin available on request)

**Finish of cylinder barrel**

Satin Chrome (US26D)

**Key Blanks**

Key Blanks for American  
Cylinder, Schlage C Keyway,  
for 6 Pin Cylinder  
LSK01-65C-NP

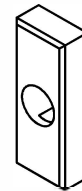


**American Cylinder Escutcheons**

American Cylinder Escutcheons,  
Oblong, 64 x 24.5 x 12.5mm  
EC-64R



American Cylinder Escutcheons,  
Rectangle, 64 x 24.5 x 12.5mm  
EC-63S

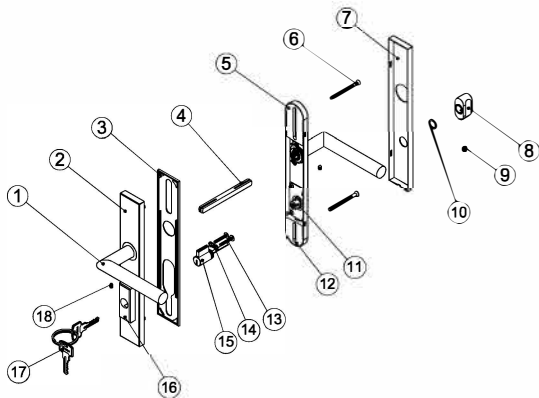


Machine Screw M4 x 20mm Pan Head,  
for fixing knob cylinder to escutcheon  
FS-M4 x 20-PAN



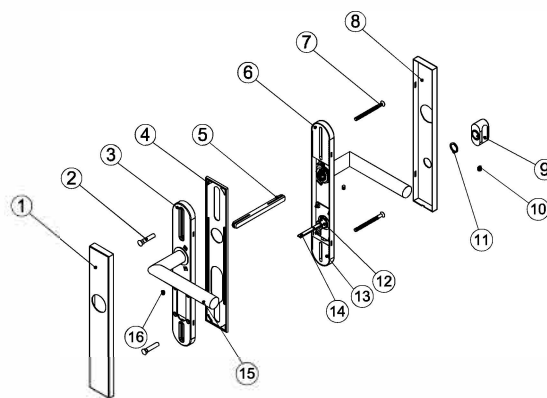
Exploded Diagrams

**MA55** (Entry For American Cylinder)



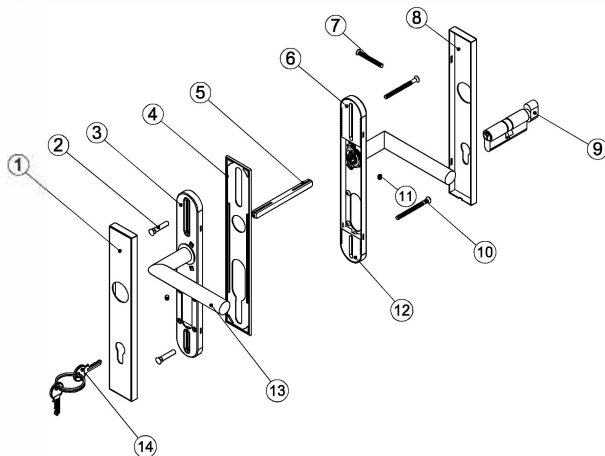
- |  |   |
|--|---|
| 1. Outside Lever                         | 10. Thumb-turn washer                   |
| 2. Outside Plate and Sub-plate for Entry | 11. Thumb-turn Shaft                    |
| 3. Gasket                                | 12. Nylon Insert                        |
| 4. Spindle 8mm Square                    | 13. Screws for fixing American cylinder |
| 5. Inside Sub-plate with Lever           | 14. Bracket for Cylinder                |
| 6. M5 Thru-bolt                          | 15. American Cylinder                   |
| 7. Inside Plate                          | 16. American Cylinder Escutcheon        |
| 8. Thumb-turn                            | 17. Keys                                |
| 9. Set screw for Thumb-turn              | 18. Lever Set Screw                     |

**MA15** (Entry For American Patio)



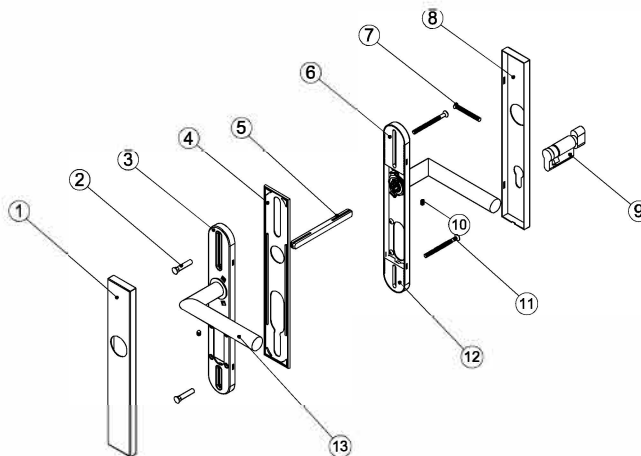
- |                                |                              |
|--------------------------------|------------------------------|
| 1. Outside Plate               | 9. Thumb-turn                |
| 2. Bolt Sleeve                 | 10. Set screw for Thumb-turn |
| 3. Outside Sub-plate           | 11. Thumb-turn washer        |
| 4. Gasket                      | 12. Thumb-turn Shaft         |
| 5. Spindle 8mm Square          | 13. Nylon Insert             |
| 6. Inside Sub-plate with Lever | 14. Tail-piece               |
| 7. M5 Thru-bolt                | 15. Outside Lever            |
| 8. Inside Plate                | 16. Lever Set Screw          |

**MA35** (Entry For Euro Cylinder)



- |                                |                     |
|--------------------------------|---------------------|
| 1. Outside Plate               | 8. Inside Plate     |
| 2. Bolt Sleeve                 | 9. Euro Cylinder    |
| 3. Outside Sub-plate           | 10. M5 Thru-bolt    |
| 4. Gasket                      | 11. Lever Set Screw |
| 5. Spindle 8mm Square          | 12. Nylon Insert    |
| 6. Inside Sub-plate with Lever | 13. Outside Lever   |
| 7. Screws for fixing Cylinder  | 14. Keys            |

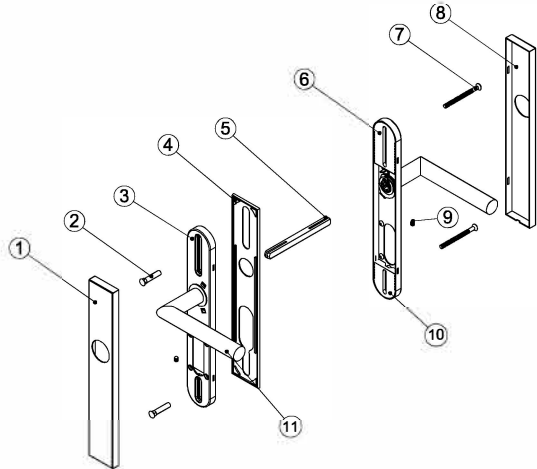
**MA25** (Entry For Euro Patio)



- |                                |                               |
|--------------------------------|-------------------------------|
| 1. Outside Plate               | 7. Screws for fixing Cylinder |
| 2. Bolt Sleeve                 | 8. Inside Plate               |
| 3. Outside Sub-plate           | 9. Euro Cylinder              |
| 4. Gasket                      | 10. Lever Set Screw           |
| 5. Spindle 8mm Square          | 11. M5 Thru-bolt              |
| 6. Inside Sub-plate with Lever | 12. Nylon Insert              |
|                                | 13. Outside Lever             |

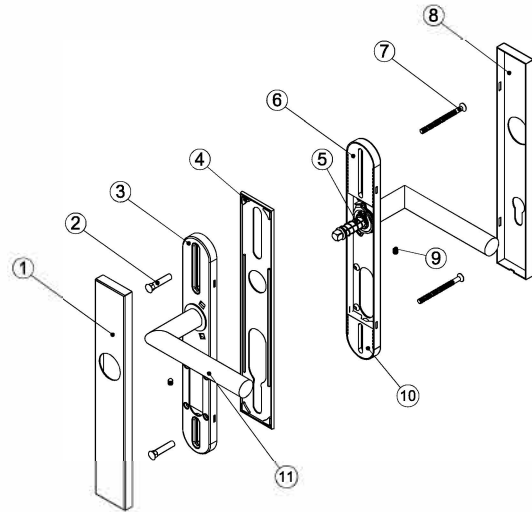
### Exploded Diagrams

#### MA10 (Passage)



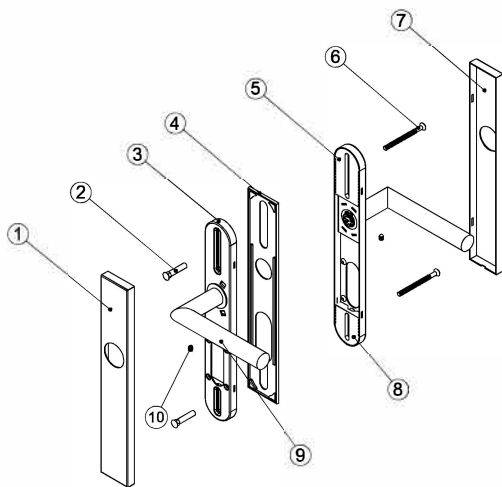
- |                                |                    |
|--------------------------------|--------------------|
| 1. Outside Plate               | 7. M5 Thru-bolt    |
| 2. Bolt Sleeve                 | 8. Inside Plate    |
| 3. Outside Sub-plate           | 9. Lever Set Screw |
| 4. Gasket                      | 10. Nylon Insert   |
| 5. Spindle 8mm Square          | 11. Outside Lever  |
| 6. Inside Sub-plate with Lever |                    |

#### MA20 (Half Passage Half Dummy)



- |                                |
|--------------------------------|
| 1. Outside Plate               |
| 2. Bolt Sleeve                 |
| 3. Outside Sub-plate           |
| 4. Gasket                      |
| 5. Spring Spindle 8mm Square   |
| 6. Inside Sub-plate with Lever |
| 7. M5 Thru-bolt                |
| 8. Inside Plate                |
| 9. Lever Set Screw             |
| 10. Nylon Insert               |
| 11. Outside Lever              |

#### MADP (Full Dummy)



- |                                |                     |
|--------------------------------|---------------------|
| 1. Outside Plate               | 6. M5 Thru-bolt     |
| 2. Bolt Sleeve                 | 7. Inside Plate     |
| 3. Outside Sub-plate           | 8. Nylon Insert     |
| 4. Gasket                      | 9. Outside Lever    |
| 5. Inside Sub-plate with Lever | 10. Lever Set Screw |