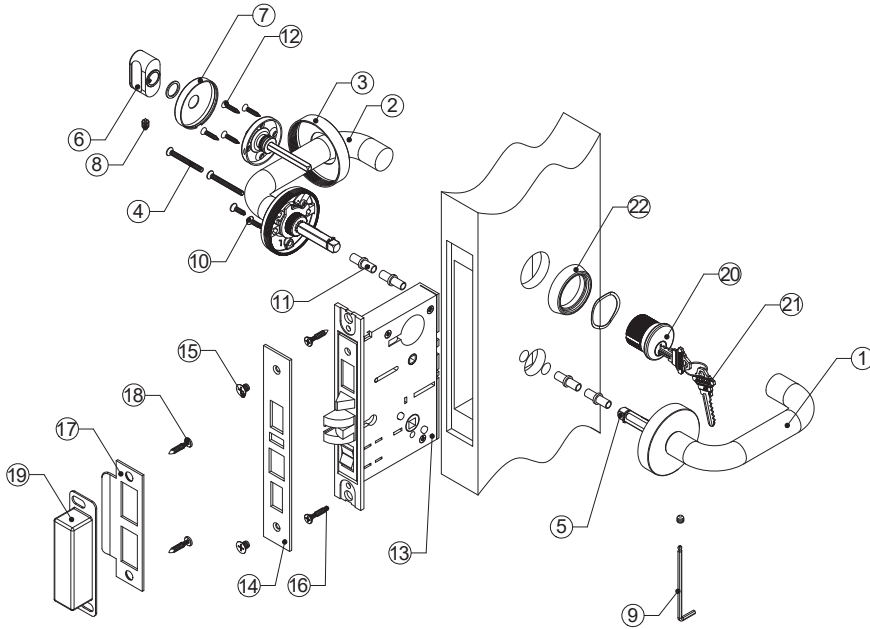


XRA Rose with MC Mortise Lock Parts List:



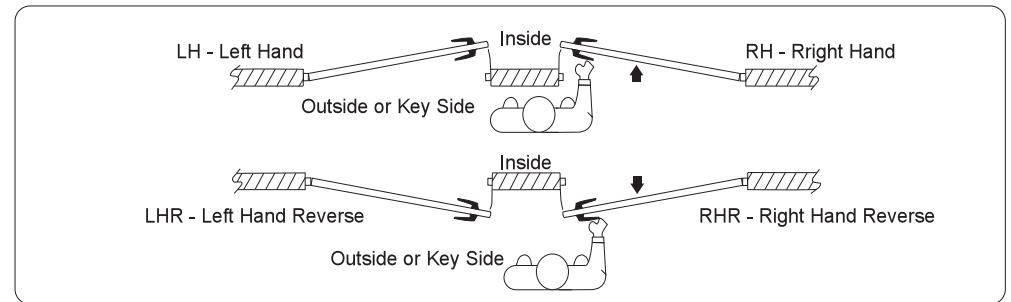
Items	No.	Parts Description	Function			
			Entry (F20/F04/F38)	Classroom (F05) Storeroom (F07)	Privacy (F22)	Passage (F01)
Leverset Parts	1	XRA Roses outside w/Lever & Cover	1 EA	1 EA	1 EA	1 EA
	2	XRA Roses Inside w/Lever	1 EA	1 EA	1 EA	1 EA
	3	XRA Inside rose Cover	1 EA	1 EA	1 EA	1 EA
	4	M4x1-3/8" (35mm) Machine Screw	2 EA	2 EA	2 EA	2 EA
	5	8x1-3/4" (45mm) spring Spindles	2 EA	2 EA	2 EA	2 EA
	6	TT04 Thumbturn rose with Spindle	1 EA	—	1 EA	—
	7	Thumbturn rose cover	1 EA	—	1 EA	—
	8	M6 Set Screw for thumbturn	1 EA	—	1 EA	—
	9	3mm Allen Key	1 EA	1 EA	1 EA	1 EA
	10	#8x3/4" wood screw/self drilling screw	2 EA	2 EA	2 EA	2 EA
	11	Compression Inserts	4 EA	4 EA	4 EA	4 EA
	—	Privacy Release	—	—	1 EA	—
—	Privacy Release rose cover	—	—	1 EA	—	
Locks and Cylinders	12	#6 screws for TT04 Thumbturn	4 EA	—	8 EA	—
	13	Mortise Lock Case	1 EA	1 EA	1 EA	1 EA
	14	Armored Faceplate	1 EA	1 EA	1 EA	1 EA
	15	#8 screws for Armored Faceplate	2 EA	2 EA	2 EA	2 EA
	16	#10 screws for Inner Faceplate	2 EA	2 EA	2 EA	2 EA
	17	Striking Plate	1 EA	1 EA	1 EA	1 EA
	18	Screws for Striking Plate	2 EA	2 EA	2 EA	2 EA
	19	Dust Box	1 EA	1 EA	1 EA	1 EA
	20	Mortise Cylinder	1 EA	1 EA	—	—
	21	Key	2 EA	2 EA	—	—
Others	22	Cylinder Escutcheon Ring with washer	1 EA	1 EA	—	—
	—	Door Prep Template	1 EA	1 EA	1 EA	1 EA
—	Installation Instruction	1 EA	1 EA	1 EA	1 EA	



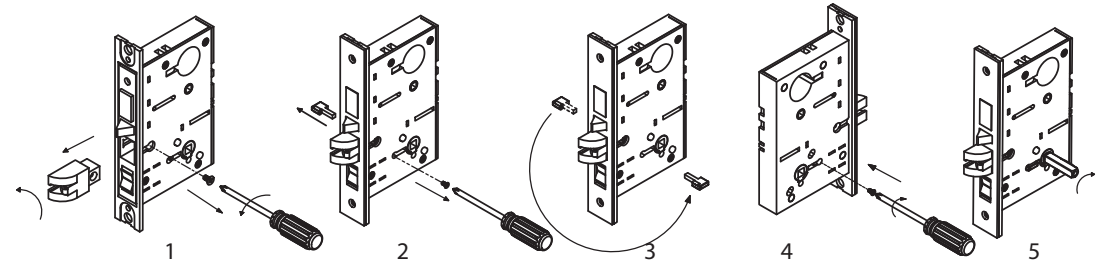
XRA/XSE/XGT/XGS Installation Instructions

Mortise Lock
(PM-ISMC7000-X43X38)

Determine Door Handing and Set Lock Case Direction



Change Latchbolt Direction and Handing For MC Mortise Lock



To change latchbolt of the lockcase:

1. Release the latch screw. Pull out the latchbolt and flip it to the opposite direction. Re-install the latch screw on the opposite side.

To change to handing on the lockcase:

2. Remove set screw beside the spindle hub. The handing block needs to be removed on the opposite side.
3. Install handing block, on the the same side that screw was removed from.
4. Re-install the set screw on the opposite side of the chassis.
5. Use spindle to turn the hub until latch retracts.

For Entry, Storeroom, Classroom, Passage Function:
MC7453, MC7438, MC7050, MC7070, MC7080, MC7010

1. Install mortise lockcase;

Note: Do NOT tighten faceplate screws until after installing cylinder;

2. Screw on cylinder with escutcheon ring.

Note: Key slot on cylinder should be on lower off-center position. See Section A-A

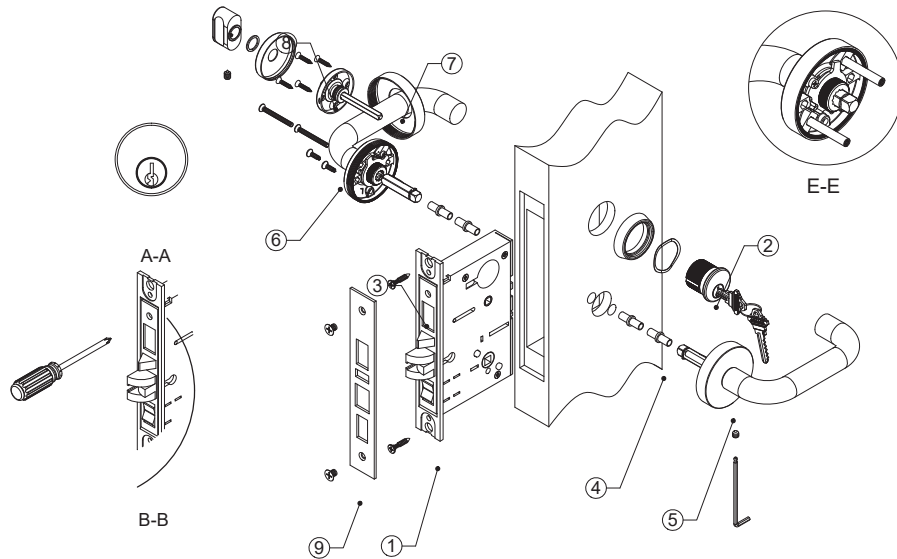
Note: Use keys to test cylinder and make sure cylinder cam operates deadbolt smoothly.

3. Use a screw driver to tighten yoke inside lock case through faceplate to fix the cylinder in position. See Section B-B

4. Install the compression inserts on both sides.

5. Install outside lever with 2 EA M4x40mm bolt sleeves. See Section E-E

Note: The flat spindle spring must face the direction of the door hinges. Failure to install properly may cause lock malfunction. See Section C-C



6. Install inside lever with 2 EA M4x35mm machine screws. And install 2EA #8x3/4" wood screws (for wood door)/self drilling screws (for metal door) for XRA/XSE rose. Then tightening the set screw using Allen key. See Section F-F

Note: Please ensure levers on both sides are at horizontal level before tightening machine screws.

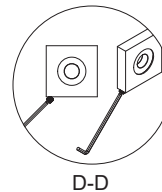
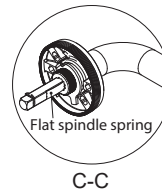
7. Mount inside rose cover.

Note: For square roses (XSE and XGS), ensure that the rose is aligned and then tighten set screw on bottom of rose cover. See Section D-D.

8. For entry function, mount privacy thumbturn rose with 4x#6 screws. Mount rose cover and clear washer before mounting thumb-turn piece. Then tighten the set screw using allen key.

Note: Storeroom, Classroom and Passage function do not require thumbturn inside.

9. Install armored faceplate with screws.



For Privacy Function: MC7040

1. Install mortise lockcase.

2. Install the compression inserts on both sides.

3. Install outside lever with 2 EA M4x40mm bolt sleeves. See Section E-E

Note: The flat spindle spring must face the direction of the door hinges. Failure to install properly may cause lock malfunction. See Section C-C

4. Install inside lever with 2 EA M4x35mm machine screws. And install 2EA #8x3/4" wood screws (for wood door)/self drilling screws (for metal door) for XRA/XSE rose. Then tightening the set screw using allen key. See Section F-F

Note: Please ensure levers on both sides are at horizontal level before tightening machine screws.

5. Mount inside rose cover.

Note: For square roses (XSE and XGS), ensure that the rose is aligned and then tighten set screw on bottom of rose cover. See Section D-D.

6. Mount privacy release rose with spindle with 4 x #6 screws.

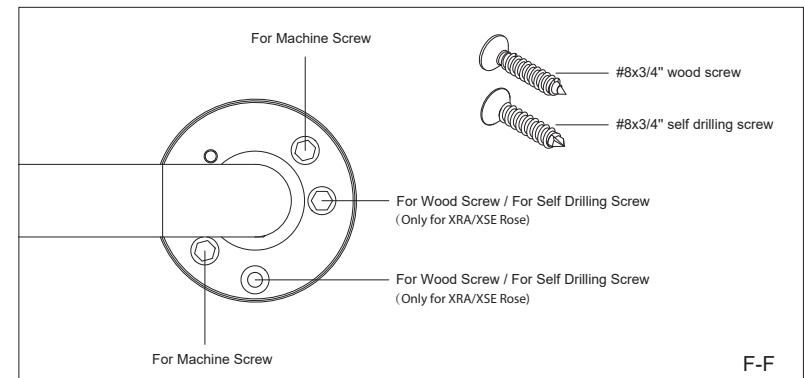
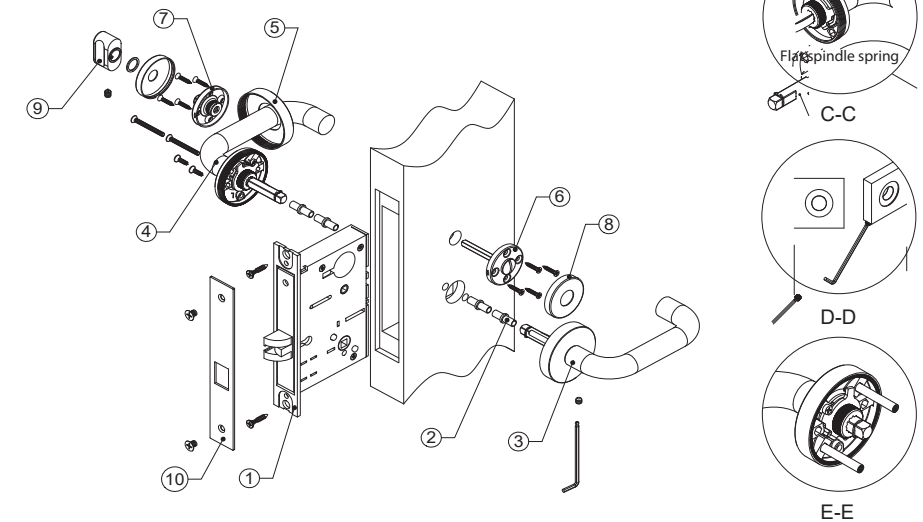
7. Mount privacy thumbturn rose with 4 x #6 screws.

8. Mount the privacy release rose cover.

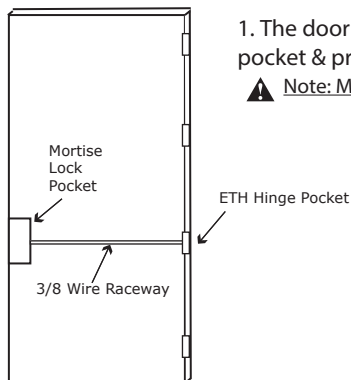
9. Mount thumbturn rose cover and clear washer before mounting thumbturn piece.

Tighten the set screw inside thumbturn piece using Allen key.

10. Install armored faceplate with screws.



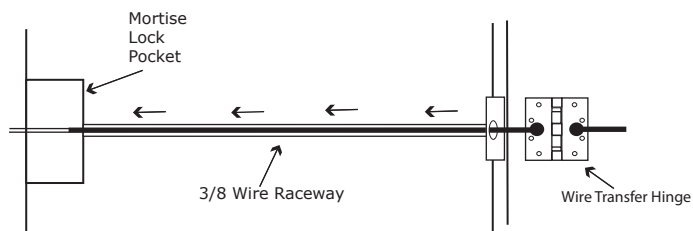
Installation of Electrified Mortise Lock:
MC7453, MC7438, MC7050, MC7070, MC7080



1. The door must be machined with a 3/8" wire raceway mortise lock pocket & prepped for a energy transfer hinge.

⚠ Note: Make sure the mortise pocket is free of debris

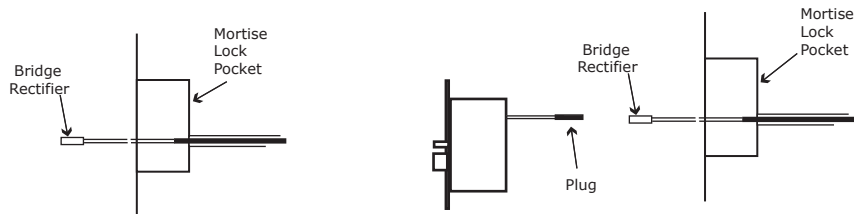
2. Run the wires from the ETH hinge through the 3/8" raceway starting at the ETH hinge & exiting into the mortise pocket.



3. Screw the ETH hinge to the door. At this time DO NOT connect the hinge wires on the jamb side to the wires coming from the power supply.

4. Connect the wires exiting the mortise pocket to the Bridge Rectifier (included).

5. Connect the Bridge Rectifier to the plug exiting the mortise chassis.



6. Carefully slip the connected mortise lock chassis into the mortise pocket paying close attention not to pinch any wires.

7. Mount the chassis into the door frame.

8. Connect the wires from the power supply at the ETH hinge on the jamb side. Connect the hinge to the jamb.

Electrical Specifications:

Solenoids

Volt	Current	Coil	Resistance
24VAC/DC	350mA	69 Ohms	+/- 10%
12VAC/DC	700mA	18 Ohms	+/- 10%

Switches

REX

Green - Common (C)
Blue - Normally Open (NO)
Gray - Normally Closed (NC)

LBM

Green/Black - Common (C)
Blue/Black - Normally Open (NO)
Gray/Black - Normally Closed (NC)

DPS

Green/Red - Common (C)
Blue/Red - Normally Open (NO)
Gray/Red - Normally Closed (NC)

Legends of Terms

EU: (Fail Secure) When power is applied, the outside trim will unlock. When power is removed, the outside trim is locked.

EL: (Fail Safe) When power is applied, the outside trim will lock. When power is removed, the outside trim is unlocked.

REX: (Request to Exit Switch) Monitors the inside handle.

*LBM: (Latchbolt Monitor Switch) Monitors the position of the latchbolt.

*DPS: (Door Position Switch) Monitors the door via the anti pick (deadlatch).

*Not available in all locks

